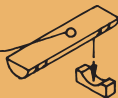


Inhalt/Contents/Contenu/Inhoud

53355=2x	53359=1x	53362=2x	53365=1x
53356=2x	53360=1x	53363=1x	53366=1x
53357=2x	53361=1x	53364=1x	53367=2x
53358=1x			

(B)

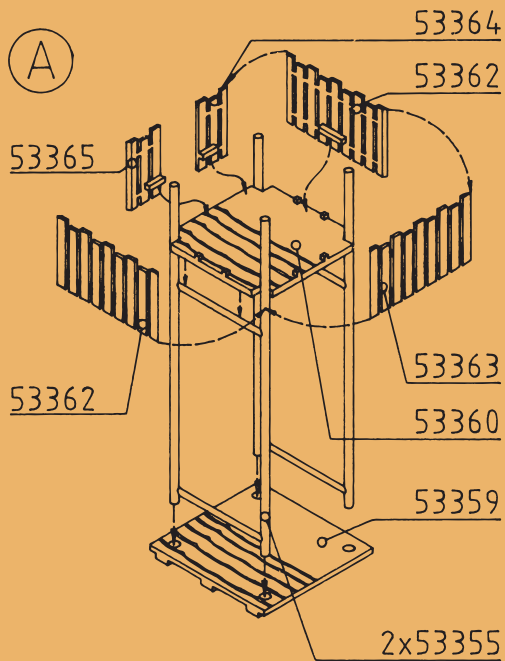
53366



2x53367



(A)



53358

53361

(A)

