



HO Structure Kit DIESEL FUELING FACILITY 933-2908

Thanks for purchasing this Cornerstone Series® kit. Please take a few minutes to read these instructions and study the drawings before starting. All parts are styrene plastic, so use compatible glue and paint to finish your model.

Diesel-electric locomotives began appearing en masse on North American railroads in the 1940s. For almost two decades they toiled alongside steam locomotives in all kinds of service. While diesels could be mostly serviced and inspected at steam locomotive terminals, they were different enough that they required a few dedicated facilities.

Diesel fueling apparatus was initially located on the roundhouse servicing leads where steam locomotives were also fueled and watered. At larger facilities, and as the use of diesel power increased, a separate track accommodated diesel fueling. When the final steam loco fires were dropped, railroads removed coaling towers, cinder conveyors and other steam-only equipment. The location remained the same, but diesel-servicing capacity was expanded. Some railroads went one step further and constructed dedicated diesel servicing “ramps” which included all-in-one fueling facilities, inspection pits and walkways, and sanding towers.

Because diesels require far less servicing, they changed the way trains were operated.

Locomotive swaps at division points and major yards became a thing of the past; instead many locomotives remained on their trains. Crew changes and inspections on through trains at on-line terminals were shifted to the mainline. Beginning in the 1970s, refueling facilities were constructed on mainline tracks at run-through terminals. Fueling apparatus in the yards still served switchers, local power and locos off originating or terminating trains.

In the 1970s, another change took place that forever affected the looks of diesel fueling facilities. Environmental concerns about the seepage of spilled diesel fuel and oil into the ground water table brought about the addition of track “pans” to catch any spills and drain them into catch basins for disposal. These pans are located between and on either side of the rails.

On Your Layout

The Cornerstone Series Diesel Fueling Facility is based on prototypes introduced when railroads began the shift from steam to diesel power. It's an authentic addition to any servicing scene and includes everything to complete a two-track fueling facility. It's sized to fit on the servicing leads in any transition- or diesel-era complex.

As a stand-alone facility, it makes a great addition just out-

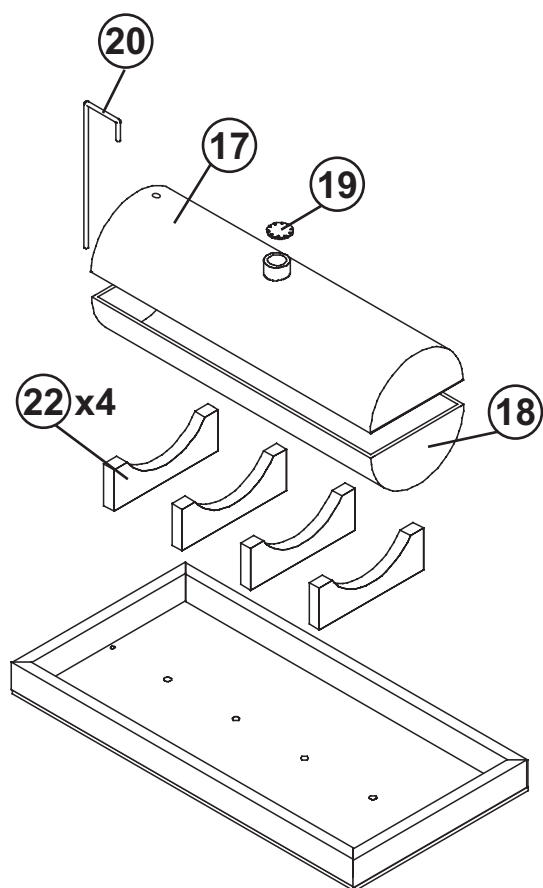
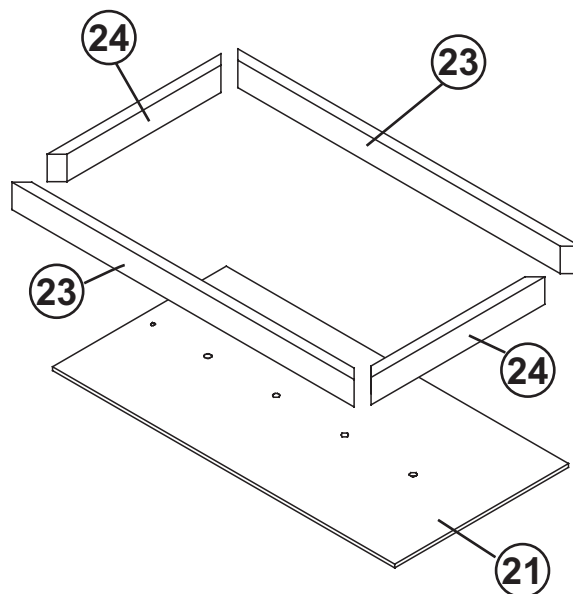
side the Two-Stall Engine House (933-3007) next to the Sanding Towers & Drying House (933-3182), or on the service leads of a large terminal surrounded by Walthers Engine Servicing Facility series models, all sold separately.

Fueling facilities are usually kept neat, but fuel stains abound. Exclude the environmental track pans if you're modeling a pre-1970s scene; include them for modern-era scenes. Apply oily, grime-colored chalks or dry-brushed paint around the base of the fuel crane and along the track or track pans on and around the concrete base.

Other details you'll usually see on the concrete pad include a metal drum with “blue flag” warning signs, a bucket of dirty rags, a dumpster, a pallet or two of brake shoes and a rack for M.U. hoses. Often, there's also a wheelbarrow or wheeled cart for hauling away worn brake shoes and other heavy scrap. To model post-1980s scenes, you can add a rack for end-of-train devices. All these details are sold separately.

For figures, vehicles and accessories to round out the scene, see your dealer, check out the latest Walthers HO Scale Model Railroad Reference Book or visit our Web site at waltherscornerstone.com for more ideas.

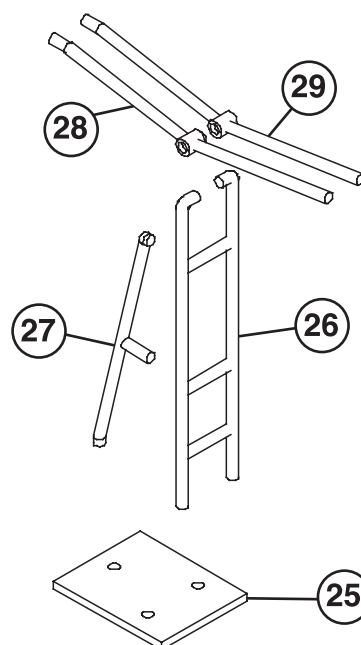
1. Glue the dike sides (23) and ends (24) together and to the tank base (21).

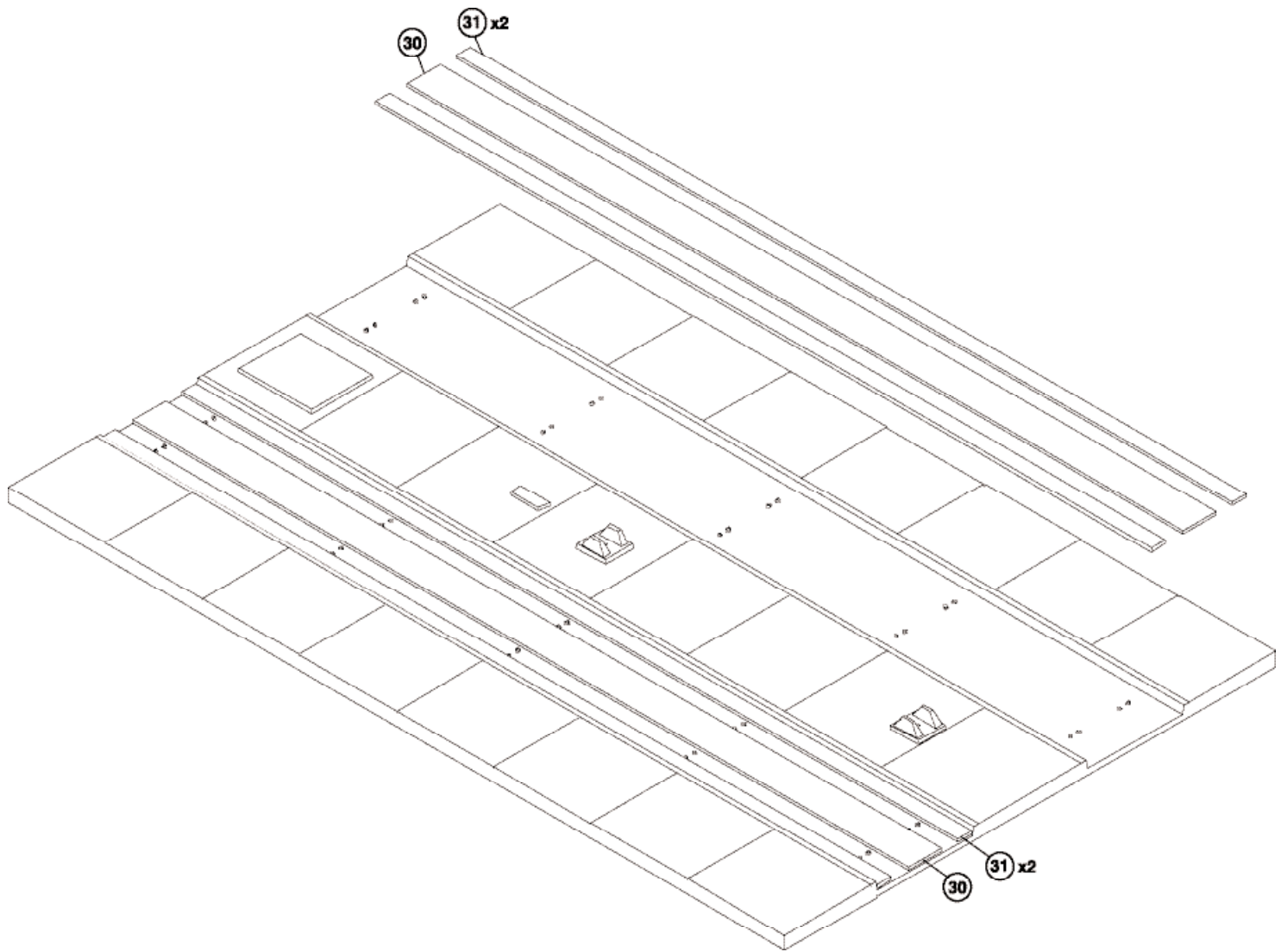


2. Glue the tank cradles (22) into the holes in the base (21).

3. Glue the tank halves (17, 18) together. Glue the hatch (19) on the top of the tank as shown. Next glue the pipe (20) into the hole at the top end of the tank. Then glue the tank onto the cradles with the bottom of the pipe going into the hole in the base.

4. Glue the unloading rack (25, 26, 27, 28, 29) together.





5. To model an older facility, glue the walkways (30, 31) in the recesses of the base (1) as illustrated. Cut two lengths of rail of your choice and glue them in between the pegs in the recesses. For a modern fueling facility, simply put complete track sections in the recesses instead of the walkways.

DECALING

1. After cutting out the decal, dip in water for 10 seconds, remove and let stand for 1 minute. Slide decal onto surface, position and then blot off any excess water.
2. Lightly brush Micro Sol® on top. This will soften the decal, allowing it to conform to irregular surfaces. DO NOT TOUCH DECAL while wet!
3. When the decal is thoroughly dry, check for any trapped air bubbles. Prick them with the point of a small pin or hobby knife blade and apply more Micro Sol®.

6. Cut three pieces of acetate: two 11x14 mm, and one 13x20 mm. Using white glue, cement them in place on the backs of the pump house walls (3, 4, 5).

7. Glue the pump house walls (2, 3, 4, 5) together and around the raised pad on the base (1). Glue the roof (6) in place.

8. Glue the equipment cabinet (7, 8) together and around the trapezoid pad on the base (1).

9. Glue the tall (9) and short (13) I-beam supports into their respective holes in the base (1). Glue pipe #10 into the holes in support #9, and pipe #14 into support #13. Glue the small wheel (11) in place on #10 and the large wheel (15) to #14.

10. Cut the length of wire in half. Coil each half up so that it will hang beneath each of the pipes (10, 14) and lay flat on the base. Using a CA type cement, glue the hanging end to the pipe. Glue nozzle (12) to the other end of the hose that hooks up with pipe #10. Note: You can hang the nozzle (12) on the peg (on part #9) or lay it on the platform. Glue nozzle (16) to the end of the hose that hooks up with pipe #14.

