



# HO Structure Kit SANTA FE INTERLOCKING TOWER 933-2983

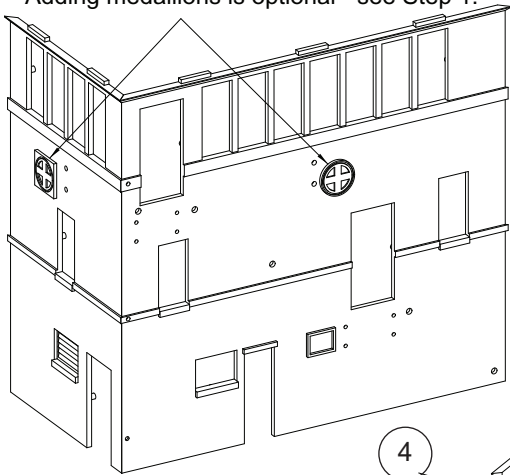
Thanks for purchasing this Cornerstone Series® kit. Please read all instructions before starting. All parts are molded in styrene plastic, so use compatible paints and glues to finish your model.

From the 1880s to the 1980s, interlocking towers could be found near major crossings, junctions or yards. Using a mechanical (later electrical or pneumatic) interlocking machine on the upper floor, an operator could throw switches, operate locks or derails and set signals to control train movements. The lower level housed the mechanical connections, as well as a furnace and work-room for a signal maintainer. As Centralized Traffic Control and better communication systems took over, fewer and fewer towers were needed. Many were torn down, while others were boarded up but left standing to house relays or other equipment. A few are still in use today, and several have been preserved and restored.

This model is based on Santa Fe's Standard Plan and is very close to a prototype at Augusta, Kansas. Many ATSF towers were constructed along these same lines, but with different window and door placement, alternate stairways, "circle and cross" medallions and more. This kit can be used as a starting point for kitbashing similar towers.

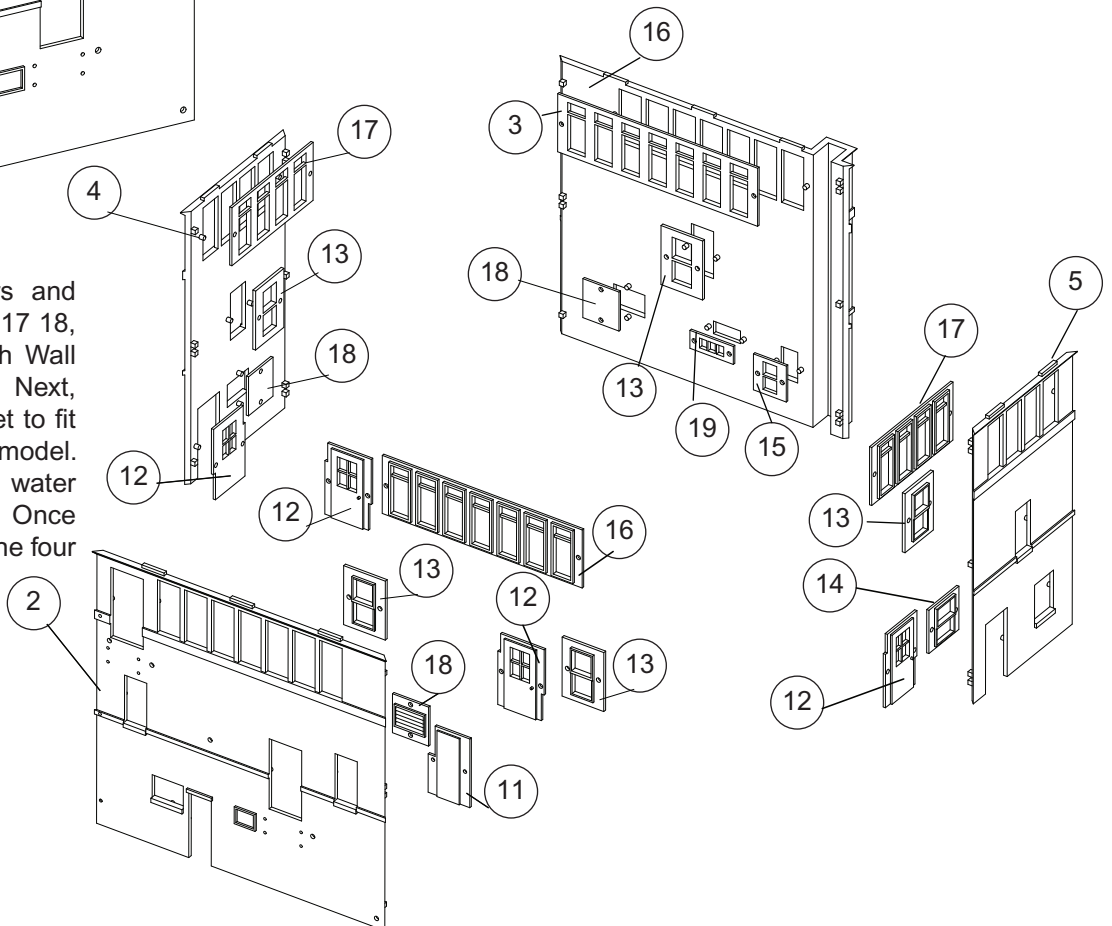
For additional items to detail your scene, stop by your local hobby shop, visit us online at [waltherscornerstone.com](http://waltherscornerstone.com), or see the latest Walthers Model Railroad Reference Book.

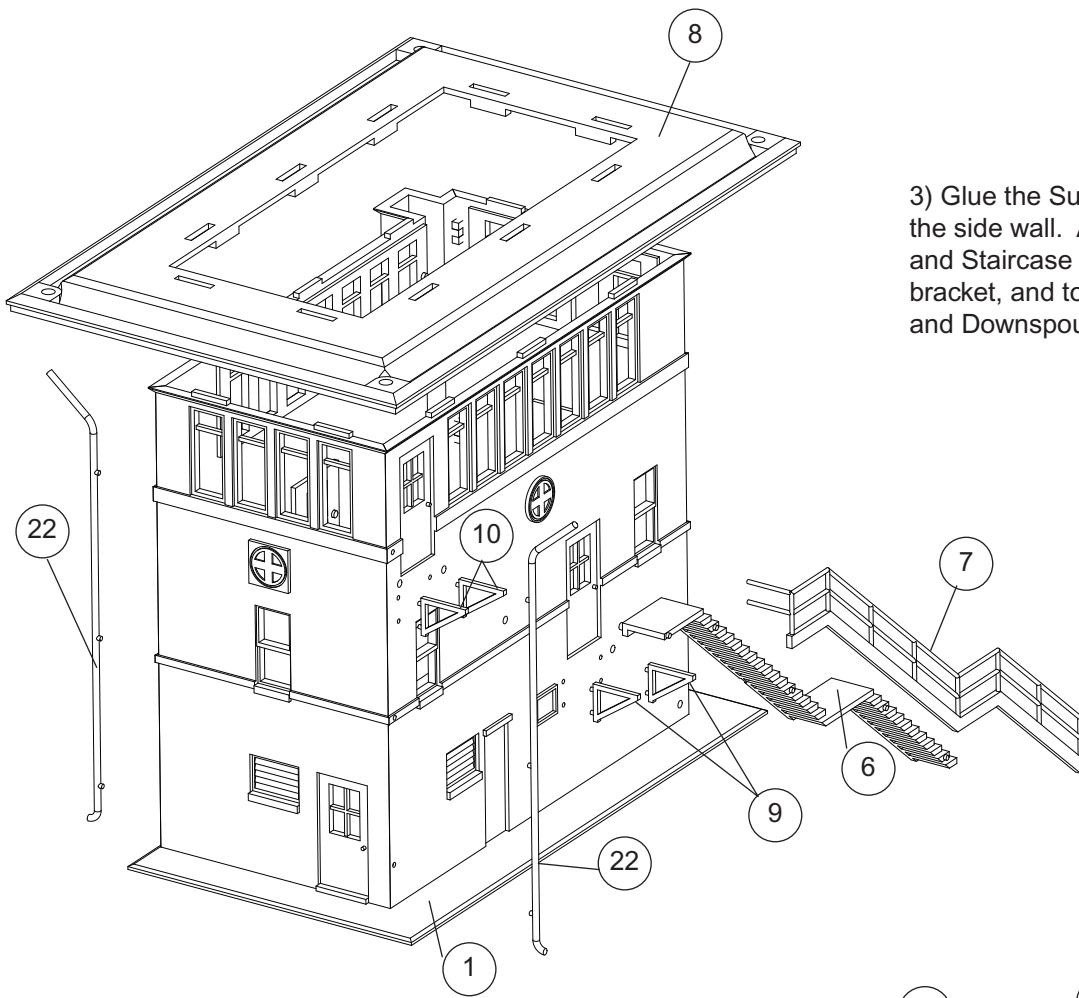
Adding medallions is optional - see Step 1.



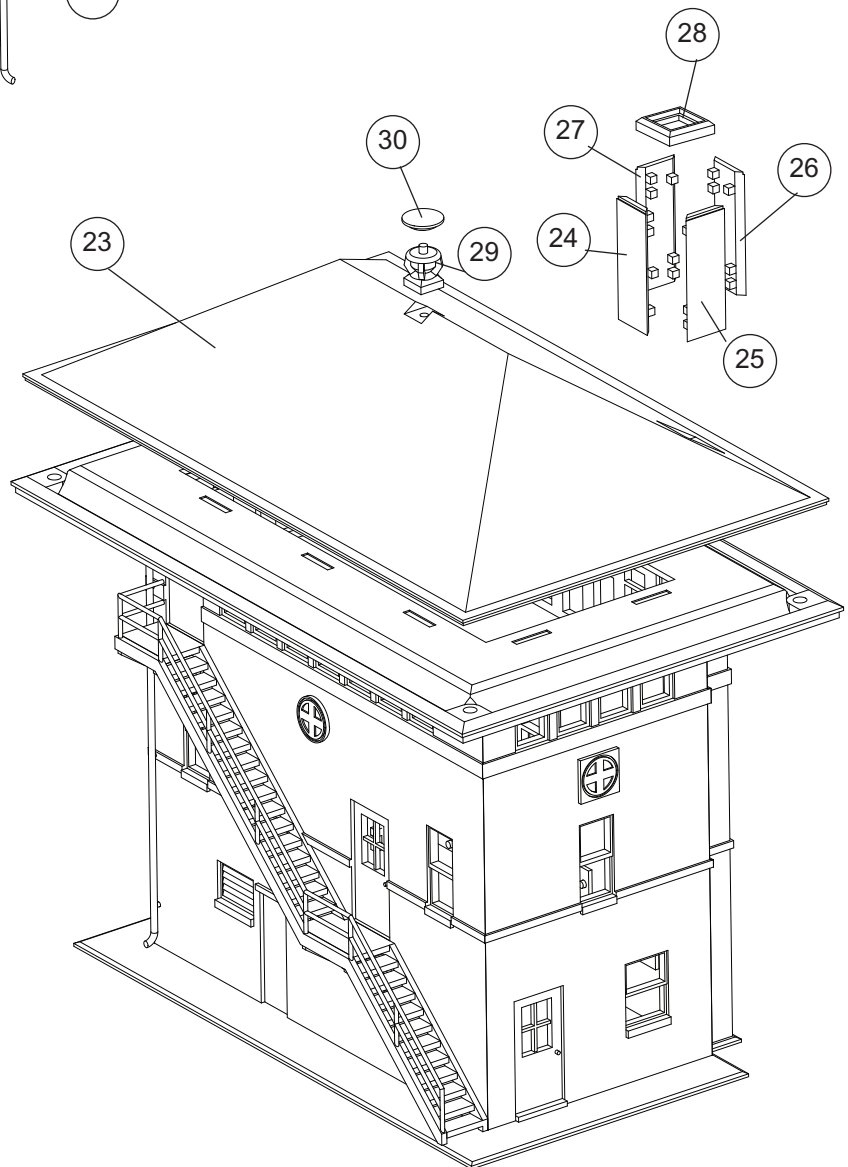
1) If you wish to use the "circle and cross" medallions (not all towers had them), open the two drill indents on the back of Walls (2, 3, 4, 5) with a #56 drill bit. Press medallions (20, 21) in these holes and glue in place from the backside of the wall.

2) Glue the Windows, Doors and Vents (11, 12, 13, 14, 15, 16, 17, 18, 19) to the backside of each Wall section (2, 3, 4, 5) as shown. Next, carefully trim the acetate sheet to fit each of the windows on the model. Glue them into position with water based glue or canopy cement. Once all the glass is installed, glue the four walls to the Base (1).





3) Glue the Support Brackets (9, 10) to the side wall. Assemble the Railing (7) and Staircase (6), then glue them to the bracket, and to the wall. Roof Eave (8), and Downspouts (22) are installed next.



4) Assemble Chimney parts (24, 25, 26, 27, 28), and Ventilator (29, 30) as shown and attach to the roof. Gluing the Roof (23) to the Eaves (8) completes the model.