



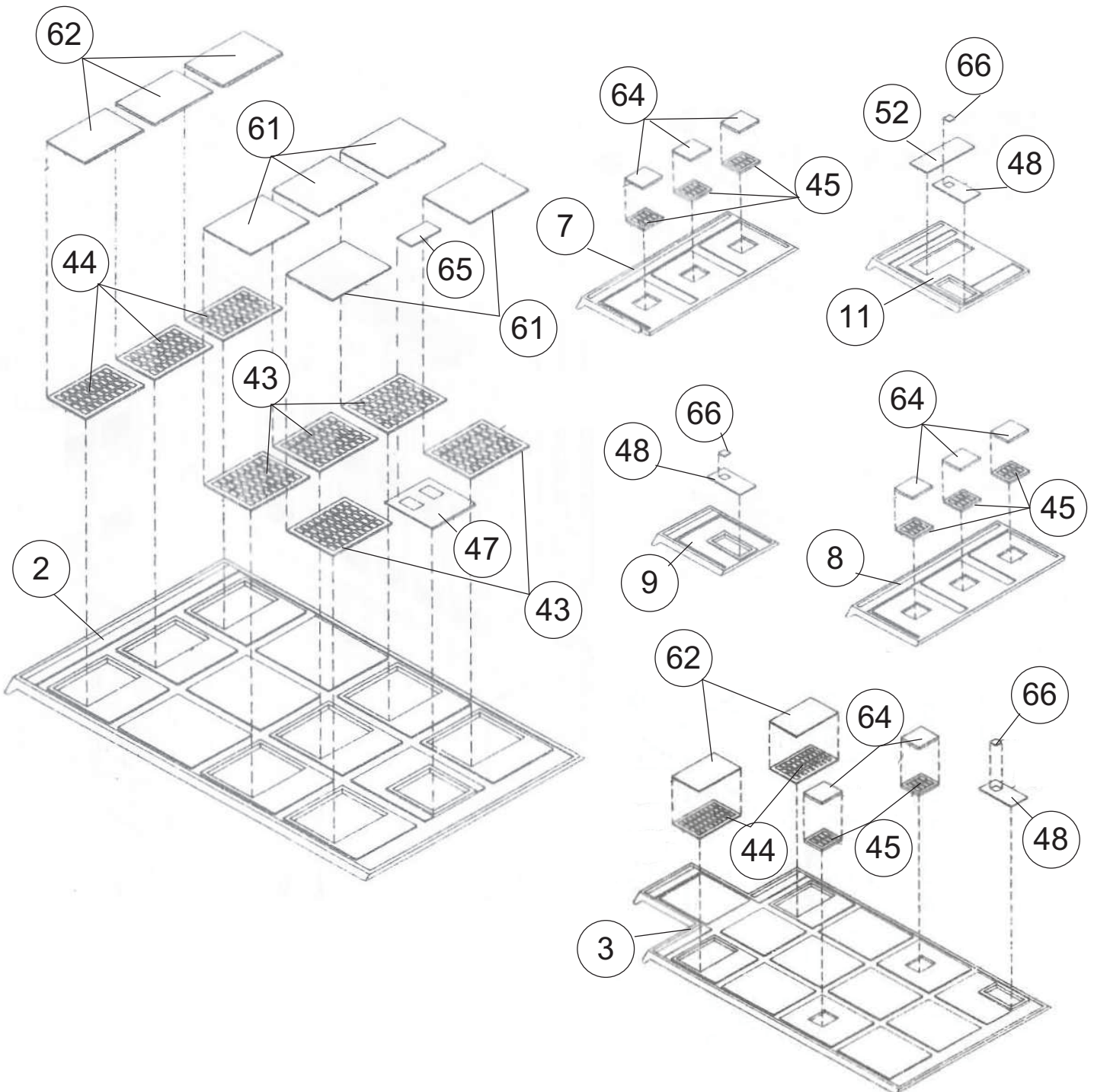
®

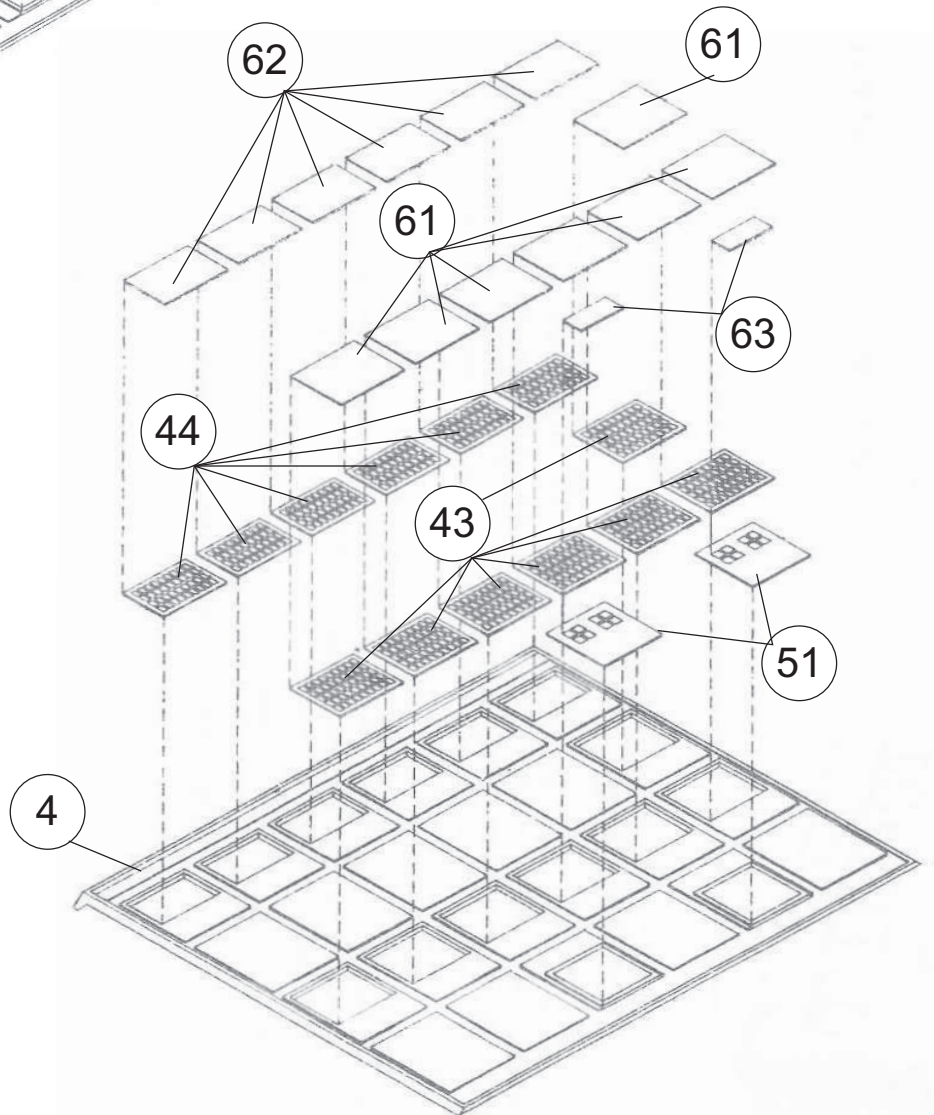
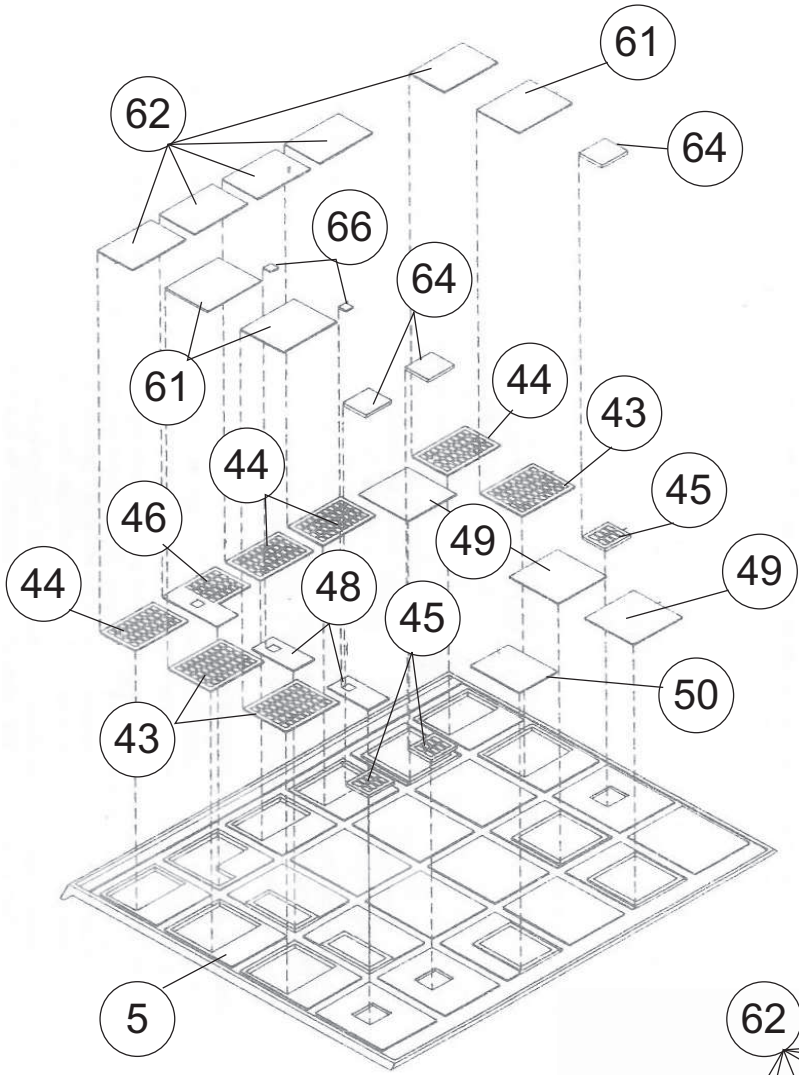
HO Structure Kit RED WING MILLING CO. 933-3026

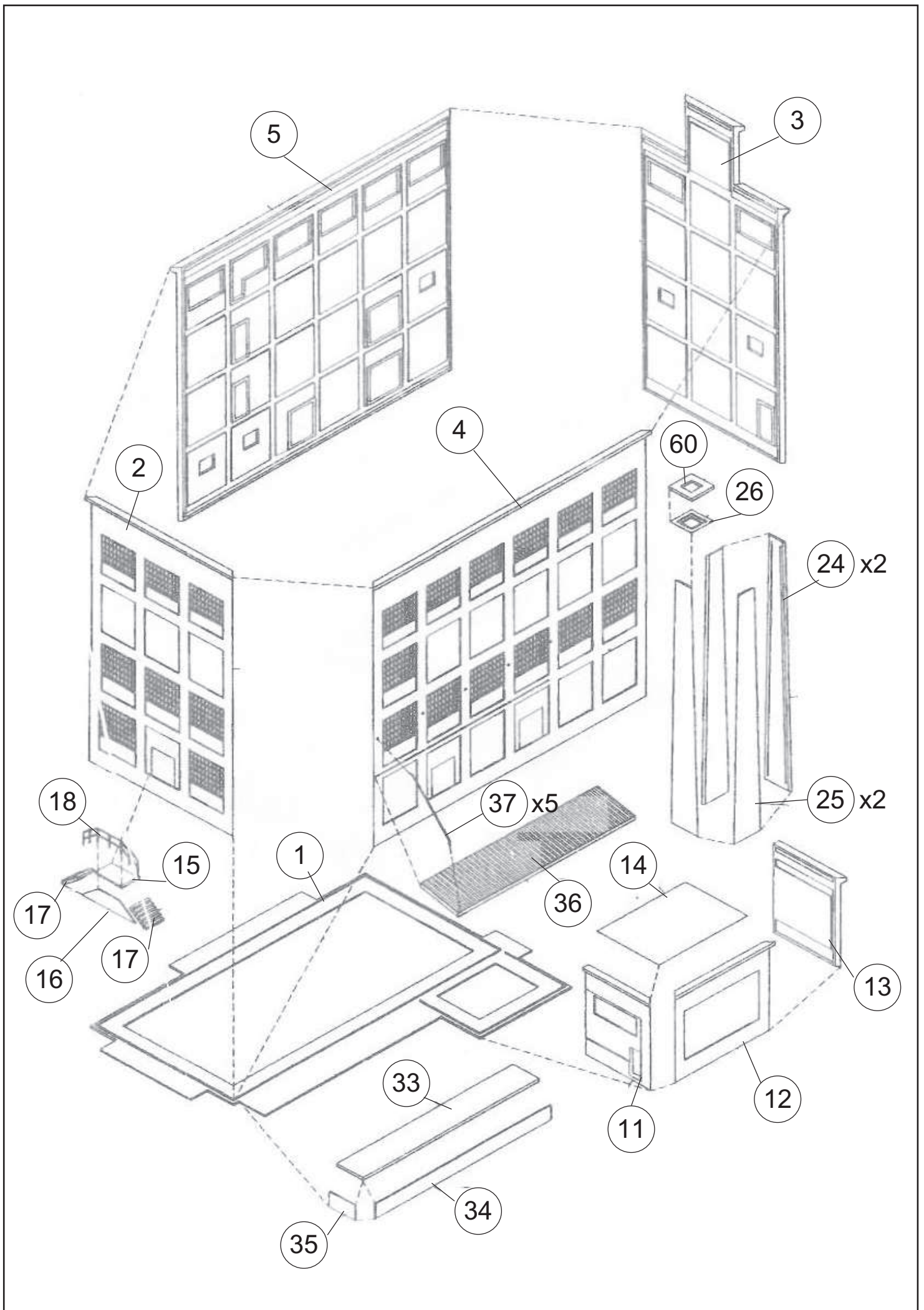
Thanks for purchasing this Cornerstone Series® kit. All parts are molded in styrene, so use compatible paints and glues. Please take a few minutes to read the directions and study the drawings.

Whether steam- or diesel-era, your new mill will generate year 'round business for your railroad. Car loads of grain arrives daily. A Grain Dryer (933-3128), Grain Conveyor (933w 3124), Steel Bin (933-3123) and Propane/Anhydrous Ammonia Tanks (933-3129) will also add realistic detail to your mill scene.

For additional figures, vehicle and accessories to set the scene see your dealer, check out the latest Walthers HO Scale Model Railroad Reference book or visit our Web site at waltherscornerstone.com for more ideas.







DECALING

1. After cutting out the decal, dip in water for 10 seconds, remove and let stand for 1 minute. Slide decal onto surface, position and then blot off any excess water.

2. Lightly brush Micro Sol® on top. This will soften the decal allowing it to conform to irregular surfaces. **DO NOT TOUCH DECAL** while wet!

3. When the decal is thoroughly dry, check for any trapped air bubbles. Prick them with the point of a small pin or hobby knife blade and apply more Micro Sol®.

