



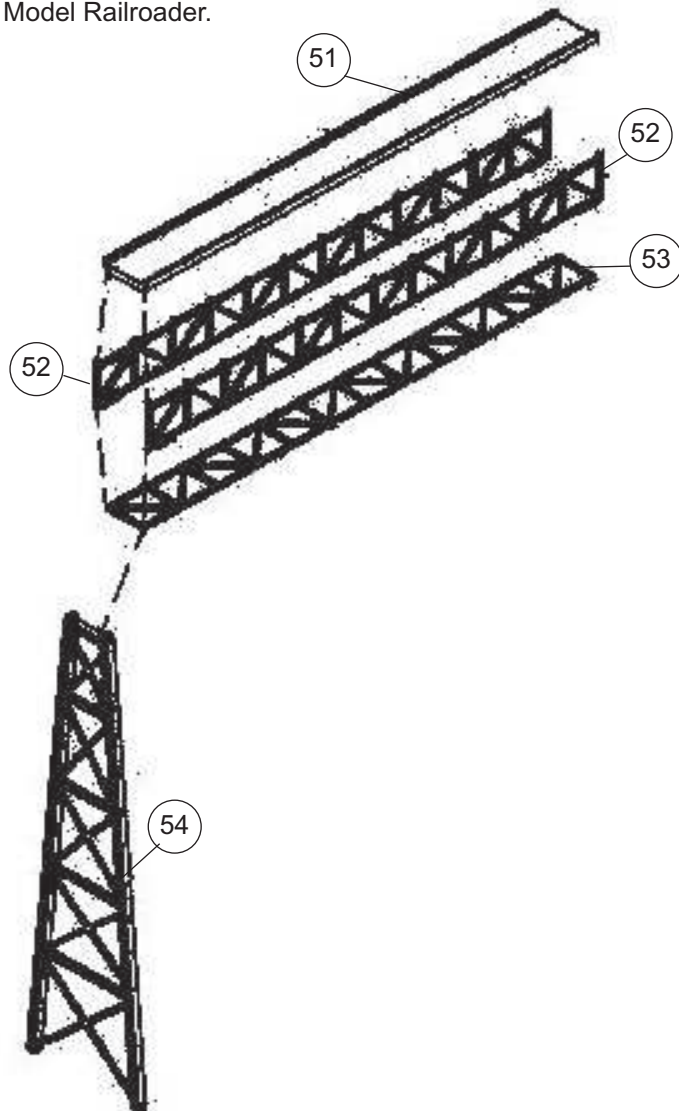
HO Structure Kit **GLACIER GRAVEL CO.**

933-3062

Thanks for purchasing this Cornerstone Series® kit! All parts are styrene plastic, so use compatible paints and glues. Please take a few minutes to read the directions and study the drawings before starting.

Ideal for steam- or diesel-era, your new Gravel Company building simulates the crusher/washer part of quarry operation. As a loading facility, it can handle all types of gravel or railroad ballast (usually basalt or trap rock). Since the actual quarry and processing operations are often some distance away, this small building and conveyor can be placed trackside, to imply the pretense of a bigger operation located off your layout.

Additional ideas for super detailing and painting this model can be found in "Dolese Sand & Gravel" by Gordon Odegard, published in the August, 1984 issue of Model Railroader.

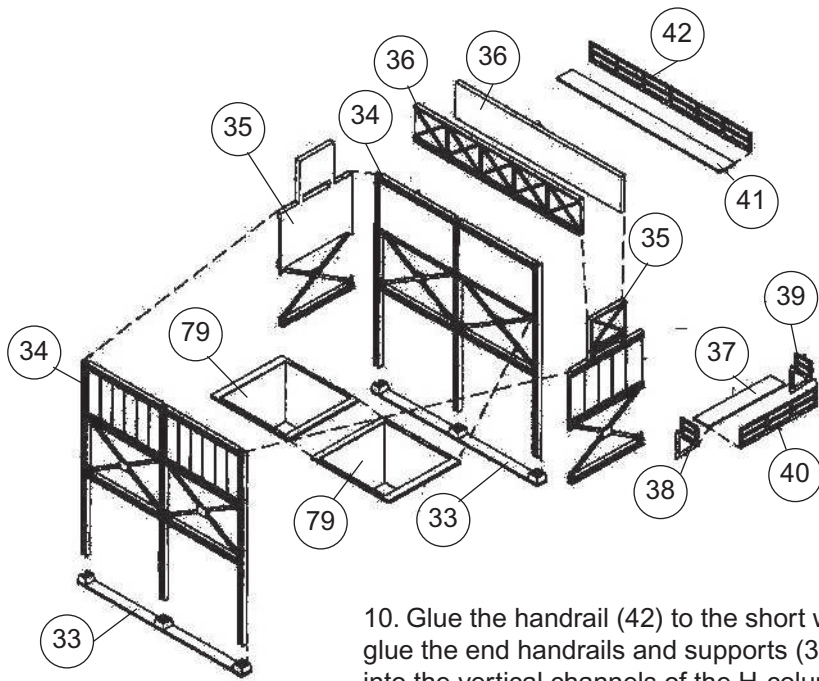


1. Determine the length and routing you want for the conveyor assemblies. One assembly can angle downwards to connect with the truck dump base (80). The other can run more or less horizontally towards the actual quarry operation, which can be "offstage" on your layout. You may wish to shorten some of the conveyor sections. This is most easily done before assembly, by cutting the pieces to the desired length.

2. Begin assembling the conveyors by gluing the side trusses (52) to the conveyor top (51), noting that the small vertical extensions on the side trusses attach to the crosswise ribs on the bottom of part 51. Also, note the small pegs on one side of parts 52. These should face inwards.

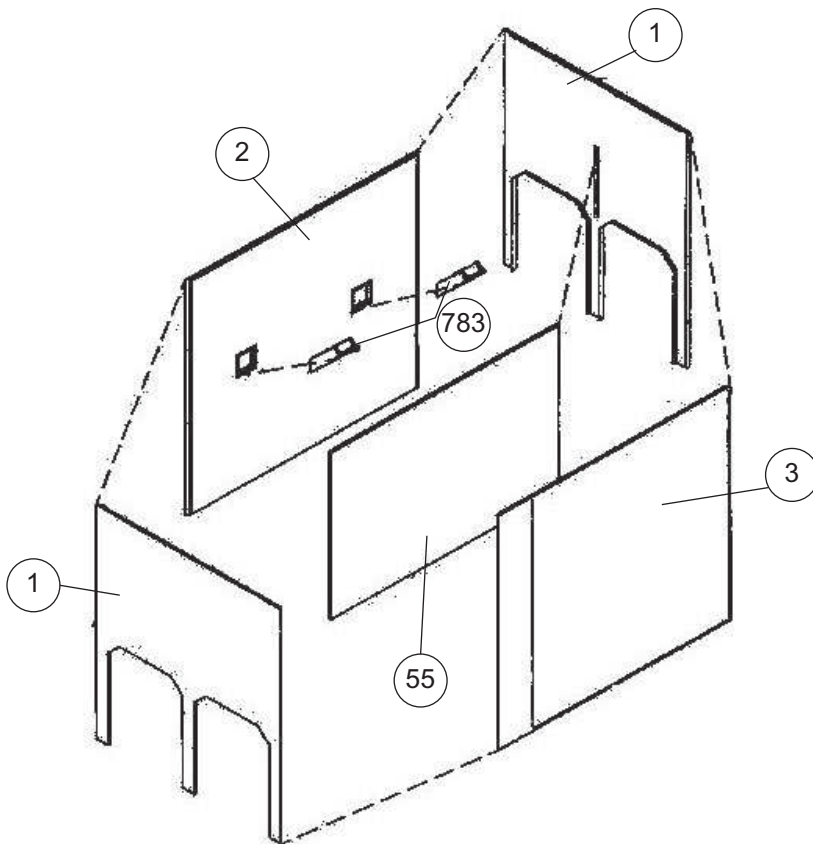
3. Glue the bottom truss (53) between the side trusses (52), resting it against the pegs on the side trusses.

4. Glue the conveyor sections together end to end to the length you want. Then glue on the supports (54), fitting the tabs on top of the supports into the slots between the sections. You can attach the supports to the conveyor at an angle for a sloping conveyor. The height of the supports can be adjusted by cutting off the bottom, and removing any partial bracing.

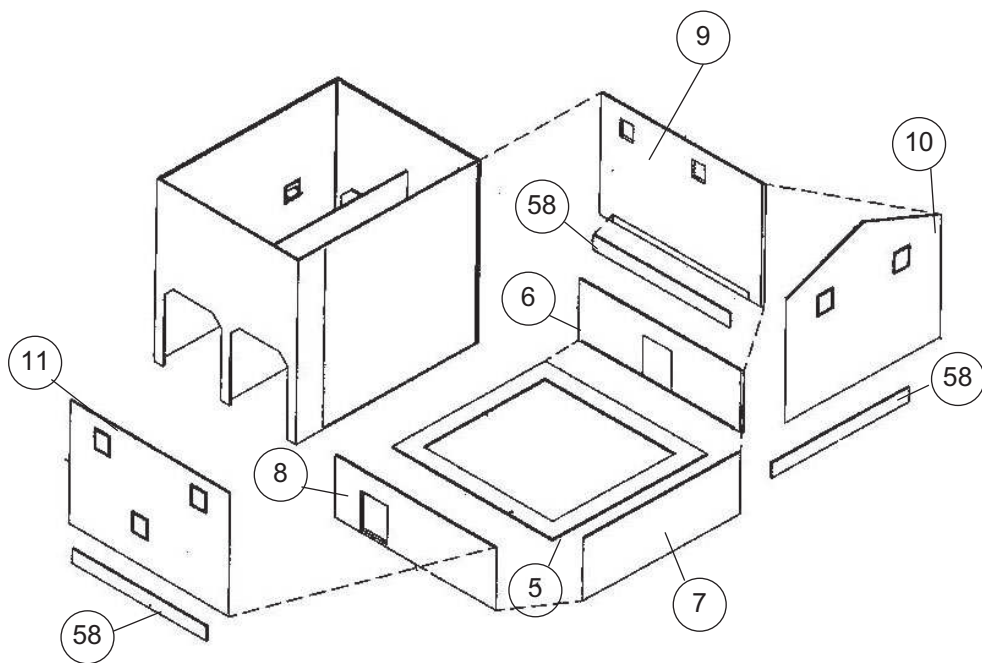


5. Begin assembling the steel bunkers by gluing two ends (35) to one side (34).
6. Remove two hopper bottoms (79) from the sprues. Note that the "shelves" on the four sides are not equal in width. The two narrowest shelves go towards the sides of the bunker, and the widest shelf is at the center. Glue the hopper bottoms to the side (34) and ends (35), resting the shelves on top of the ridge that runs along the bottom edge of the solid side panels. The wide shelves should touch each other.
7. Glue the remaining side (34) to the ends and the hopper bottoms.
8. Glue the conveyor sides (36) between the ends (35).
9. Glue the base pieces (33) to the legs of the sides (34).

10. Glue the handrail (42) to the short walkway (37), taking care that the ends are even. Then glue the end handrails and supports (38 and 39) to the ends of 37. Slip the assembly down into the vertical channels of the H-columns at one end of the bunker, until the short walkway is at the same level as the long one. Note: the two walkways, seen from the top, should form a backwards letter "L". When the position is satisfactory, glue in place.



12. Glue the concrete bunker ends (1) to the sides (2 and 3). Glue in the center partition (55) between the locating lines on the Inner surfaces of the ends. Glue the chutes (78) into the openings in wall 2 from the inside.



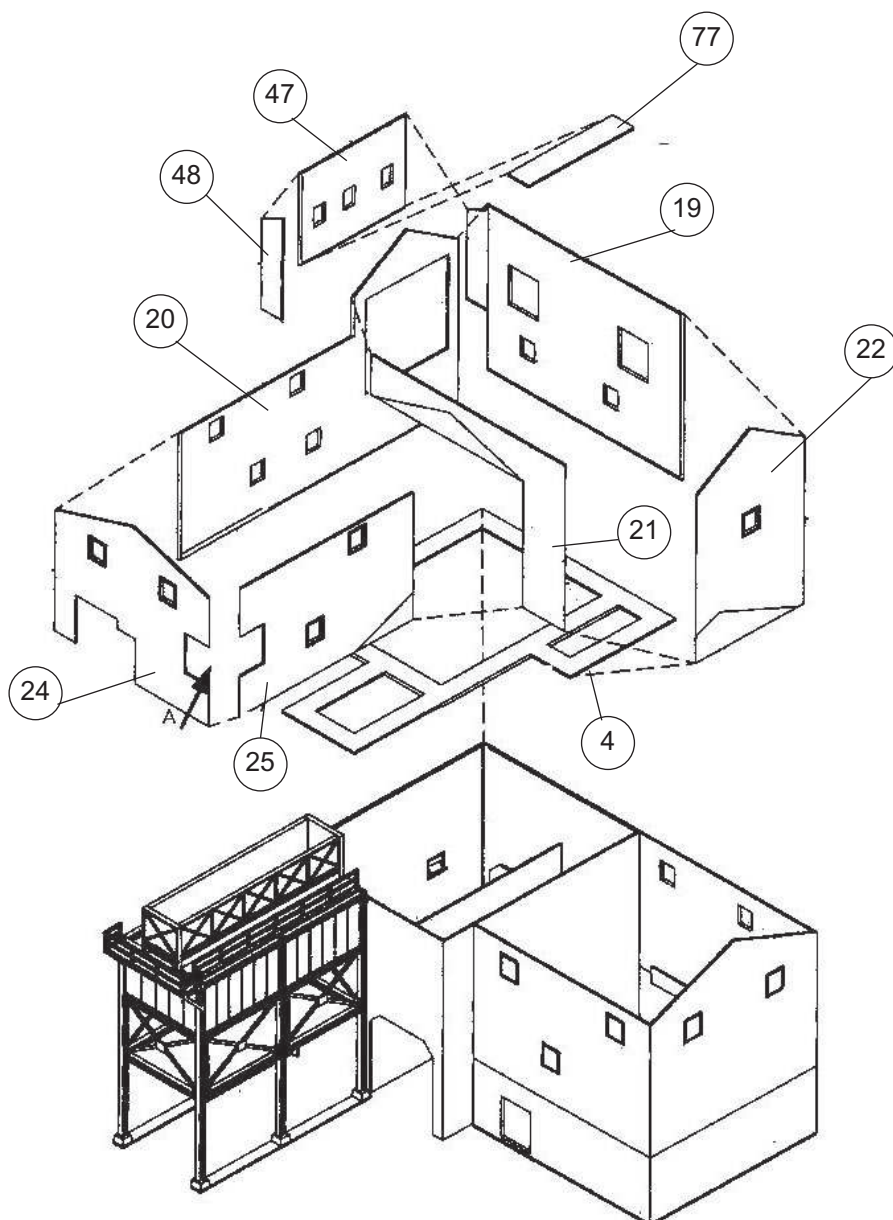
13. Glue the concrete foundation pieces (6, 7 and 8) to the base (5).
 14. Glue a splice piece (58) to the bottom edge of walls 9, 10 and 11, guided by the locating lines. Then glue the walls to the foundation pieces as shown. Finally, glue this assembly to the bunker side (3), locating wall 11 against the vertical line on part 3. Be sure the bottom of base 5 is even with the bottom edge of bunker side 3.

15. Glue walls (19, 20, 22, 24 and 25) to floor (4). The floor goes inside the walls, against the horizontal lines near their bottom edges. Note how the projecting part of wall 19 goes into the notch in wall 20. Then glue wall 21 between walls 22 and 25 and to wall 20, as shown.

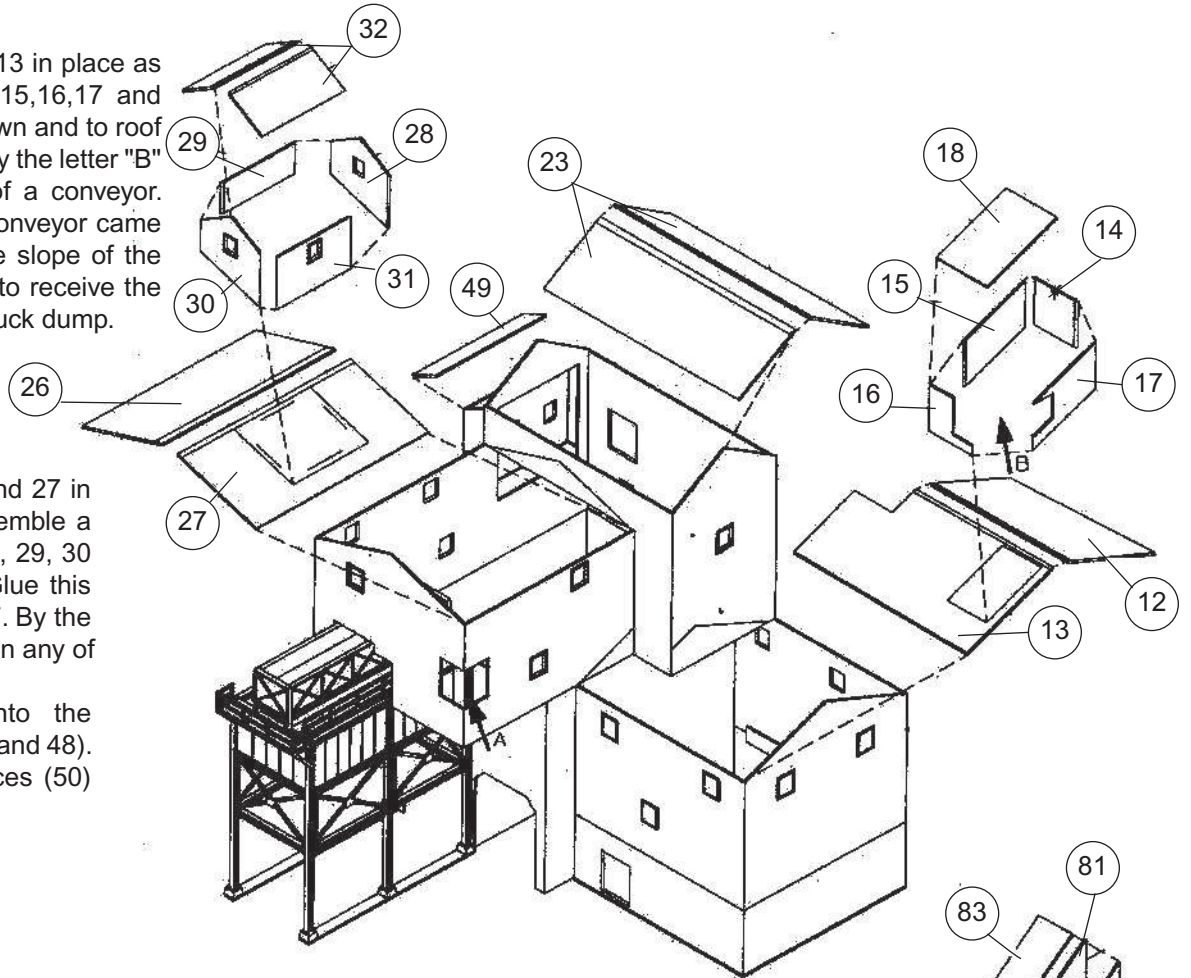
16. Glue the wall 48 to wall 47, then glue floor 77 to them, with the locating lines facing downwards. Glue this assembly to walls 19 and 20.

17. Glue floor (4) with the assembled walls to the top of the bunker assembly from step 12. Note the opening indicated by the letter "A" which can receive a conveyor.

18. The steel bunker is located as shown, but does not have to be glued in position.

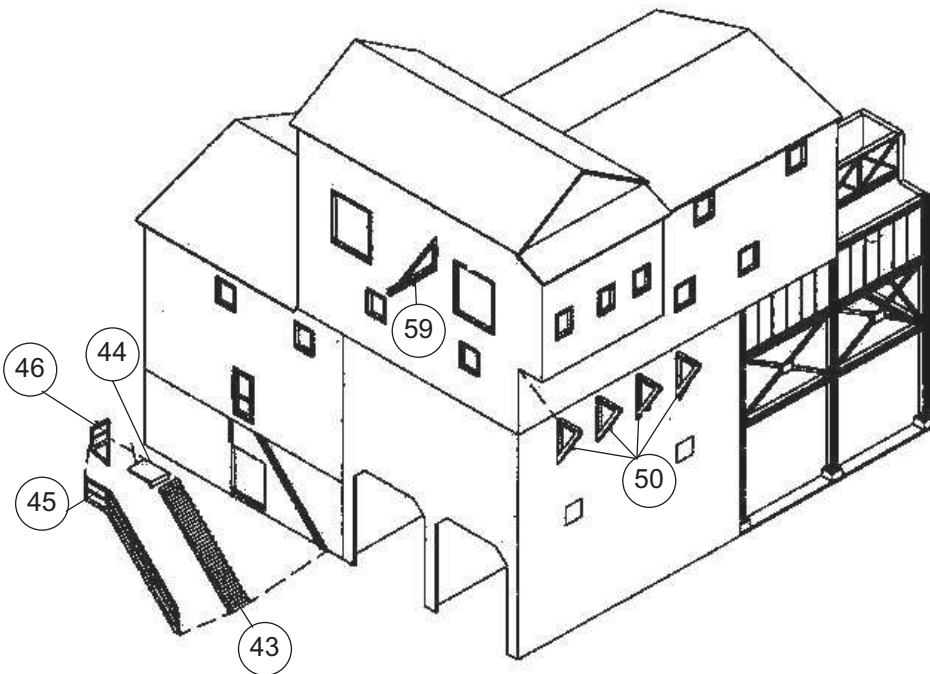
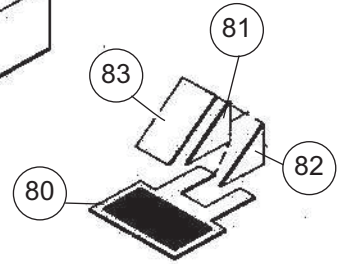


19. Glue roofs 12 and 13 in place as shown. Glue sides 14,15,16,17 and roof 18 together as shown and to roof 13. The hole indicated by the letter "B" can receive one end of a conveyor. On the prototype this conveyor came from the quarry, but the slope of the shed makes it suitable to receive the slanting one from the truck dump.



20. Glue roofs 23, 26 and 27 in position as shown. Assemble a roof shed from sides 28, 29, 30 and 31 and roofs 32. Glue this shed in place on roof 27. By the way, there is no "glass" in any of the window openings

21. Glue roof 49 onto the projecting bay (walls 47 and 48). Then glue the four braces (50) under the bay.



22. Glue the stairs (43) to their railing (45), fitting the notch along one edge of stairs onto the ridge on the inner side of the railing, and making the bottom end of the stairs even with the bottom end of the railing. Glue the platform (44) to the railing, with the "lip" against the top of the stairs. Glue the end railing and brace (46) to the platform and to 45. Glue the assembled stairway against the sloping ridge on part 6.

23. Glue the hoist beam (59) into the holes in wall 19, with the angled brace on top.

24. Glue the conveyor housing sides (81 and 82) to the truck dump base (80). Then glue on the top (83). This assembly will receive the bottom end of a conveyor. The exact relationship of these parts is to be determined by the modeler.

DECALING

1. After cutting out the decal, dip in water for 10 seconds, remove and let stand for 1 minute. Slide decal onto surface, position and then blot off any excess water.
2. Lightly brush Micro Sol® on top. This will soften the decal allowing it to conform to irregular surfaces. **DO NOT TOUCH DECAL while wet!**
3. When the decal is thoroughly dry, check for any trapped air bubbles. Prick them with the point of a small pin or hobby knife blade and apply more Micro Sol®.