



# HO Structure Kit PIER AND TRAVELING CRANE 933-3067

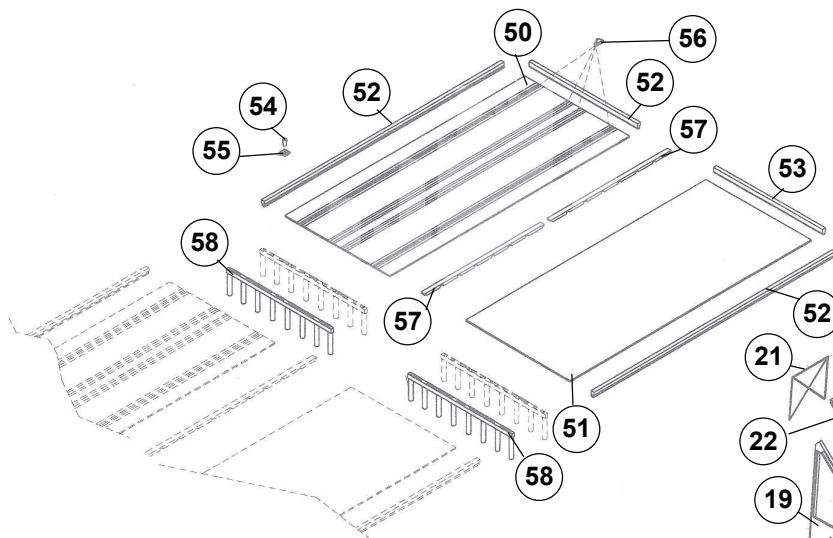
®

Thanks for purchasing this Cornerstone Series® kit. All parts are molded in styrene, so use compatible paints and glues. Please take a few minutes to study the drawings prior to assembly.

Piers are one of the most common structures along any commercial waterway. Here, cargo can be loaded and unloaded from ships moored alongside, as well as rail cars and trucks. Typical of steam- and diesel- era facilities, this model spans many decades of rail and marine service. Facilities of this type were designed to serve large vessels, so they could be found at virtually any busy waterfront. With its many positionable features, the crane can simulate a variety of loading or unloading operations. Your Dealer can supply all kinds of detail parts or freight car loads that can be used as cargo on the pier. Inbound and outbound freight shipments can be processed through the Municipal Pier Terminal (933-3066) or the Front Street Warehouse (933-3069). You might also see a Carfloat Apron (933-3068) along with the Railroad Carfloat (933-3152). You can also purchase the Pier Add On Kit (933-3154) to lengthen your pier to accommodate larger boats.

For additional figures, vehicle and accessories to set the scene see your dealer, check out the latest Walthers HO Scale Model Railroad Reference book or visit our web site at [waltherscornerstone.com](http://waltherscornerstone.com) for more ideas.

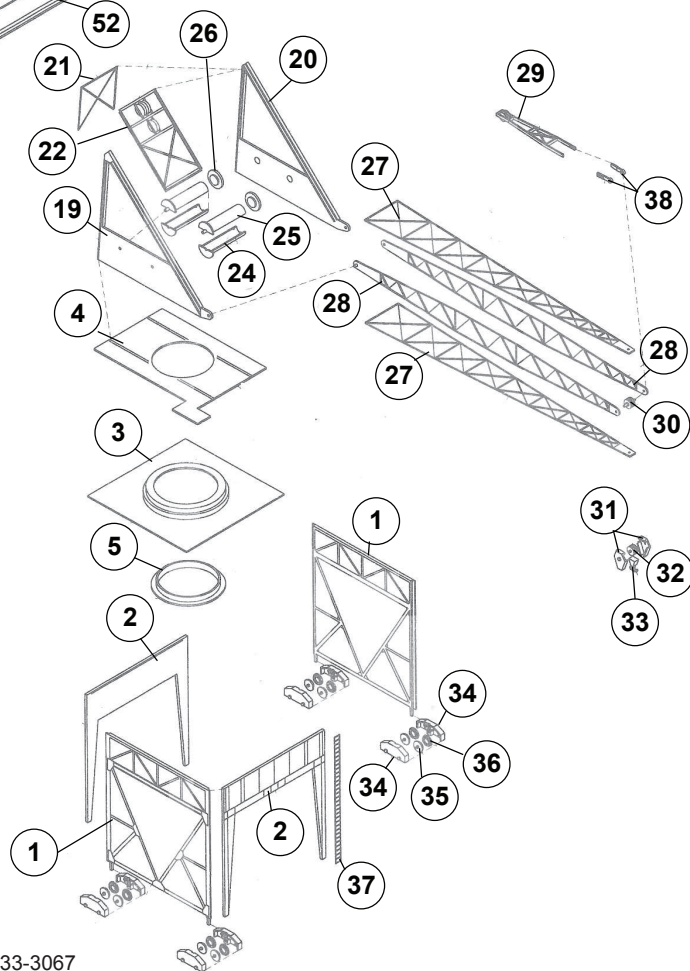
1. Start by gluing the sides (52) and ends (53) onto the pier decks (50 or 51). Next, glue the deck sections together length or widthwise (if gluing widthwise, use the splice piece #57 and glue underneath). Then, glue the pilings (58) to the undersides of



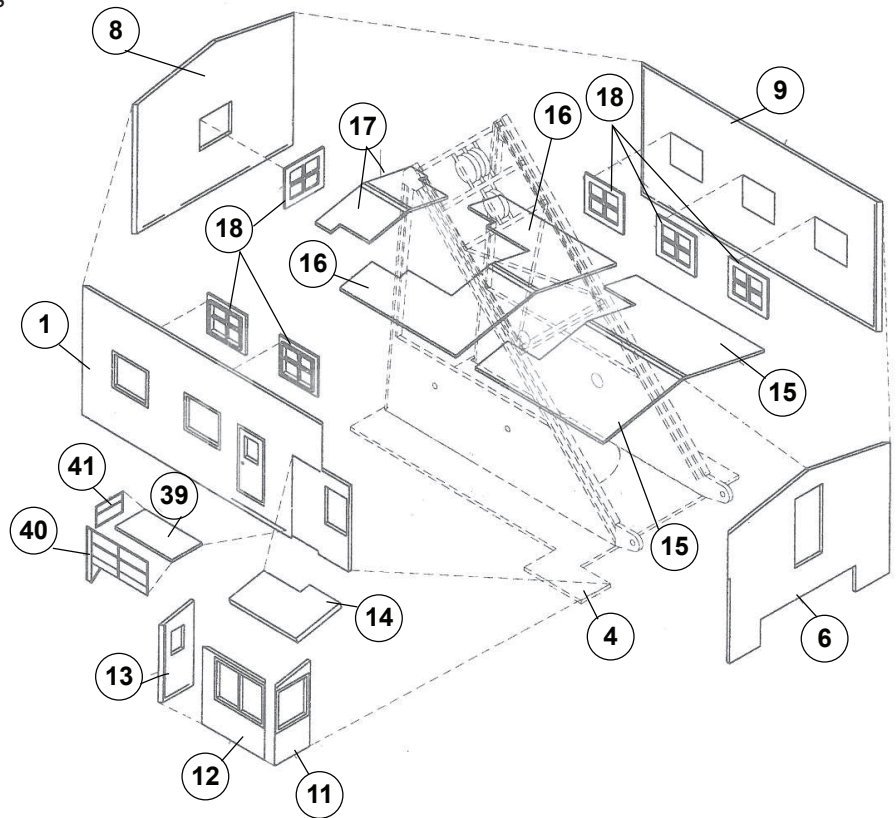
the top sections, locating them within the ridges provided. Glue the mooring bits (54) to the bitt bases (55) and then glue these anywhere along the water side/sides of the decks. Glue the wheel stops (56) at the both ends of the crane rails and only at the very end of the train rails. Set aside to dry.

2. Place retaining ring (5) through the platform (3) from the bottom and glue to the cab floor (4), making sure not to get any glue on the platform. Next, glue the support sides (1) and ends (2) together and to the platform. Glue the wheel assemblies (34,35,36) together and then to the bottoms of the supports, making sure not to get any glue on the wheels, noting which way the wheel assemblies point. Glue the ladder (37) on the right side (looking from the front) of one of the ends (2).

3. Place the pulley (30) in the holes at the top of the boom sides (28) and glue the sides and top and bottom (27) together. Glue the winding drums together (24,25,26). Using a slow setting cement, glue the A-frames (19,20) to the cab floor (4). Gently bend these outwards and insert the Winding drums and the boom. Next, glue the back (21) and top (22) spreader to the sides with both parts pushed up as far as they can go. Flanges on crossbars of #22 face upwards. Glue the pulley outrigger ends (38) to the pulley outrigger (29) and set aside. Glue the hook (33) inside one hook side (31) and place the hook pulley (32) in also. Set this aside along with the other hook side.



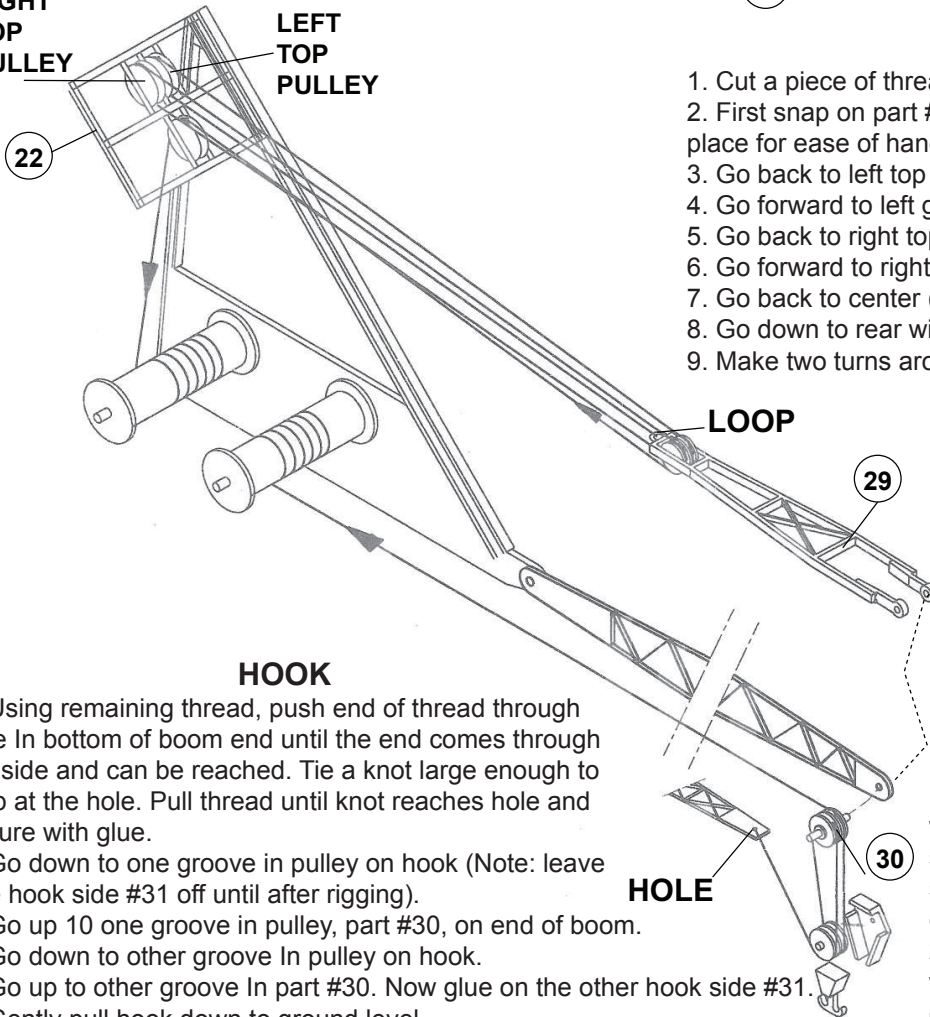
4. Glue the windows (18) in the cab walls (7,8,9). Then, glue the four walls (6,7,8,9) to the cab floor (4). Next, glue the operator's cab (11,12,13) and roof (14) in place. Glue the small platform (39) and railings (40,41). Proceed to rigging instructions prior to installing the roof parts #S 15,16 and 17.



## RIGGING INSTRUCTIONS

RIGHT  
TOP  
PULLEY

LEFT  
TOP  
PULLEY



## BOOM

1. Cut a piece of thread about 4 1/2 feet long.
2. First snap on part #29 to the boom and temporarily tape in place for ease of handling. Tie thread to loop on part #29.
3. Go back to left top pulley on part #22.
4. Go forward to left groove in pulley on part #29.
5. Go back to right top pulley on part #22.
6. Go forward to right groove in pulley on part #29.
7. Go back to center (lower) pulley on part #22.
8. Go down to rear winding drum.
9. Make two turns around drum.

10. Lower boom to horizontal position for maximum extension of rigging.
11. Glue or tape thread to drum.
12. Use a small screwdriver through window to turn drum until boom is in desired position (about 45 degrees).

## HOOK

1. Using remaining thread, push end of thread through hole in bottom of boom end until the end comes through the side and can be reached. Tie a knot large enough to stop at the hole. Pull thread until knot reaches hole and secure with glue.
2. Go down to one groove in pulley on hook (Note: leave one hook side #31 off until after rigging).
3. Go up 10 one groove in pulley, part #30, on end of boom.
4. Go down to other groove in pulley on hook.
5. Go up to other groove in part #30. Now glue on the other hook side #31.
6. Gently pull hook down to ground level.
7. Go back to front winding drum, going underneath and up around the back.
8. Wrap two times around.
9. Tape or glue thread to drum.
10. Turn drum with small screwdriver to raise the hook to desired position.

## DECALING

1. After cutting out the decal, dip in water for 10 seconds, remove and let stand for 1 minute. Slide decal onto surface, position and then blot off any excess water.
2. Lightly brush Micro Sol® on top. This will soften the decal allowing it to conform to irregular surfaces. DO NOT TOUCH DECAL while wet!
3. When the decal is thoroughly dry, check for any trapped air bubbles. Prick them with the point of a small pin or hobby knife blade and apply more Micro Sol®.