



# HO Structure Kit VALLEY GROWERS ASSOCIATION STEEL-SHEATHED GRAIN ELEVATOR 933-3096

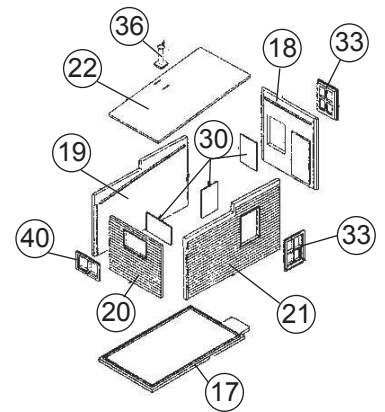
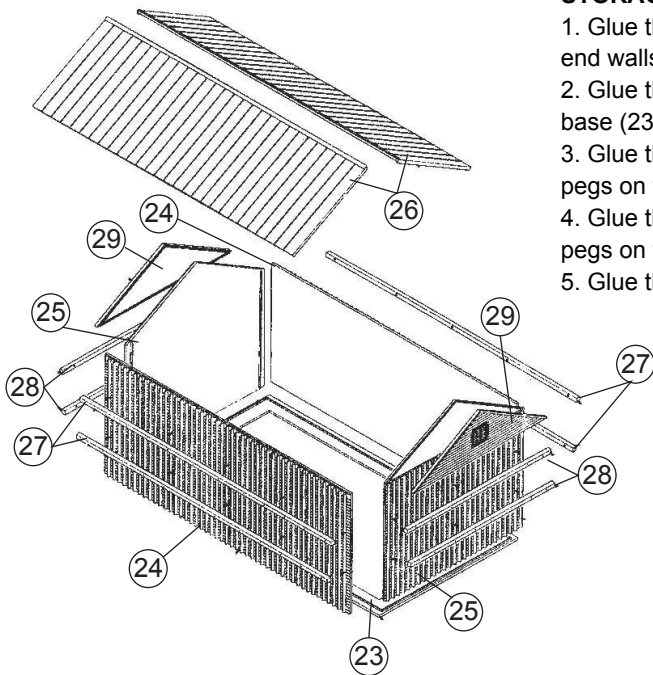
Thanks for purchasing this Cornerstone Series® kit. Please read all instructions and study the drawings before starting. All parts are molded in styrene plastic, so use glues and paints which are compatible.

As supplies of suitable lumber became scarcer after World War I, prices went up and the cost of building a new wood elevator or residing an existing one increased dramatically. At the same time, the auto industry was booming which increased demand for sheet steel, lowering its cost. Corrugated, galvanized steel sheets (Iron sheets had been in use since the 1850s as a building material. But were heavy and expensive, limiting their use) were introduced that were light, strong and cheap enough that large industrial buildings could be entirely covered, Elevator operators found the metal siding an ideal choice. It was easily nailed in place over the existing wooden structure, virtually weatherproof and greatly reduced the danger of fire from passing trains. Since it was galvanized, it could be left in its natural metal color, although many owners opted to keep the building painted. As the steel lasted a long time and protected the wooden interior of the structure, many of these small elevators are still standing. While many serve farm communities, others are now on the edges of suburbs and offer pet foods, birdseed, lawn & garden supplies and more, to both rural and urban populations.

Check with your dealer for additional items, or visit our Web-site at [waltherscornerstone.com](http://waltherscornerstone.com)

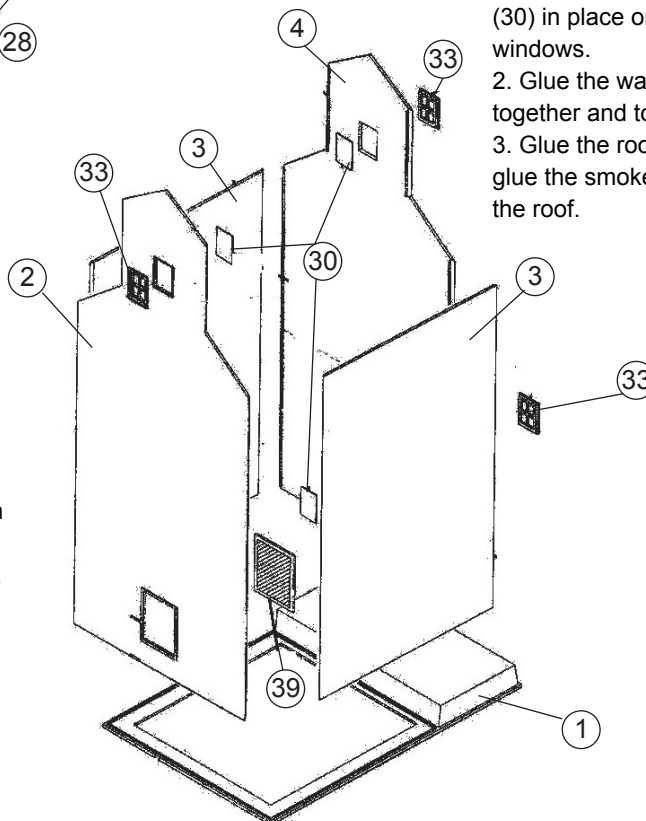
### STORAGE BIN

1. Glue the gable inserts (29) in place on the end walls (25).
2. Glue the walls (24, 25) together and to the base (23).
3. Glue the long bracing timbers (27) onto the pegs on the side walls (24).
4. Glue the short bracing timbers (28) onto the pegs on the end walls (25).
5. Glue the roof halves (26) on.



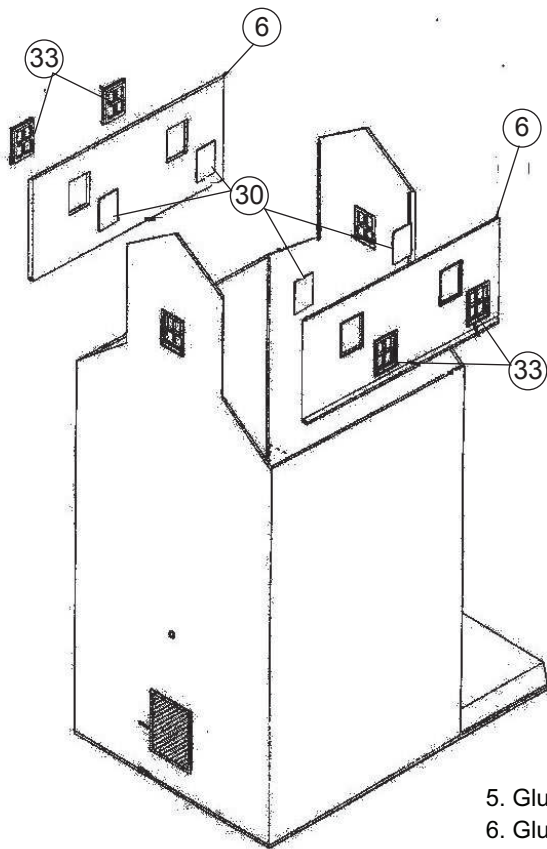
### OFFICE

1. Glue the windows (33, 40) into their respective openings in the walls (18, 20, 21). Glue the window "glass" (30) in place on the backs of the windows.
2. Glue the walls (18, 19, 20, 21) together and to the base (17).
3. Glue the roof (22) on and then glue the smoke jack (36) in place on the roof.

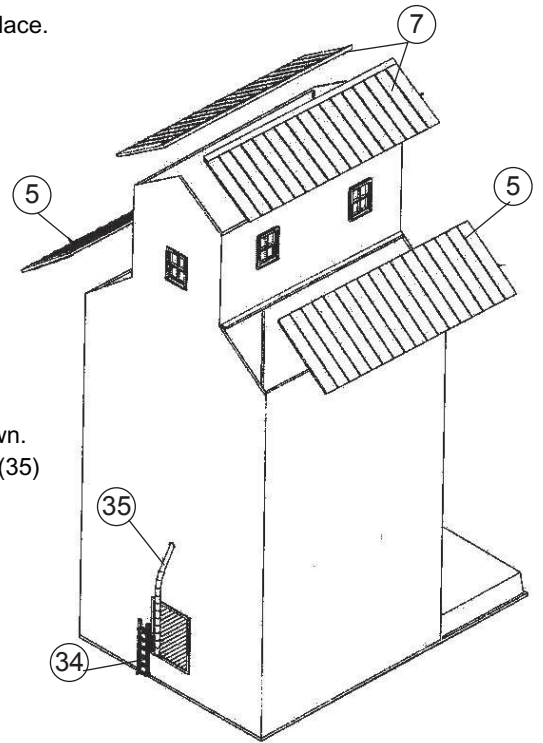


### ELEVATOR

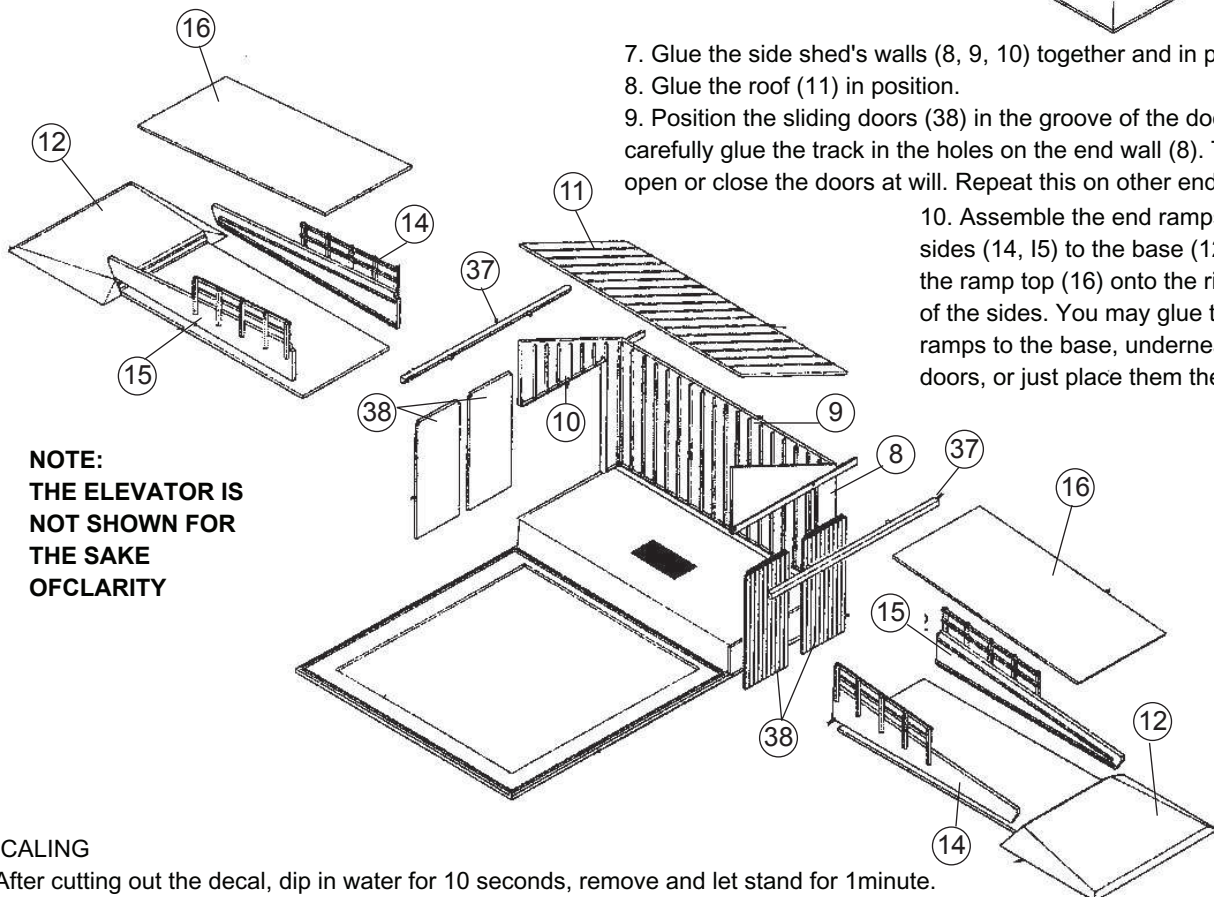
1. Glue the windows (33) into the openings on wall #'s 2 & 4. Then glue the window "glass" (30) to the backs of the windows. Glue the door (39) into the opening on wall #2.
2. Glue the walls (2, 3, 4) together and to the base (1).



3. Glue the windows (33) in place on the head house walls (6). Glue the window "glass" (30) to the backs of the windows.  
4. Glue the walls in place.



5. Glue the roofs (5, 7) on as shown.  
6. Glue the ladder (34) and spout (35) onto the wall.



7. Glue the side shed's walls (8, 9, 10) together and in place on the base (1).  
8. Glue the roof (11) in position.  
9. Position the sliding doors (38) in the groove of the door track (37) and carefully glue the track in the holes on the end wall (8). This will allow you to open or close the doors at will. Repeat this on other end wall (10).

10. Assemble the end ramps by first gluing the sides (14, 15) to the base (12) and then glue the ramp top (16) onto the ridges on the inside of the sides. You may glue the completed ramps to the base, underneath the sliding doors, or just place them there.

**NOTE:  
THE ELEVATOR IS  
NOT SHOWN FOR  
THE SAKE  
OF CLARITY**

#### DECALING

1. After cutting out the decal, dip in water for 10 seconds, remove and let stand for 1 minute. Slide decal onto surface, position and then blot off any excess water.
2. Lightly brush on Micro Sol® on top. This will soften the decal allowing it to conform to irregular surfaces. **DO NOT TOUCH DECAL** while wet!
3. When the decal is thoroughly dry, check for any trapped air bubbles. Prick them with the point of a small pin or hobby knife blade and apply more Micro Sol®.