



HO Scale Kit TANK CAR LOADING PLATFORM 933-3104

Thanks for purchasing this Cornerstone Series® kit. All parts are molded in styrene, so use compatible paints and glues. Please take a few minutes to read the directions and study the drawings.

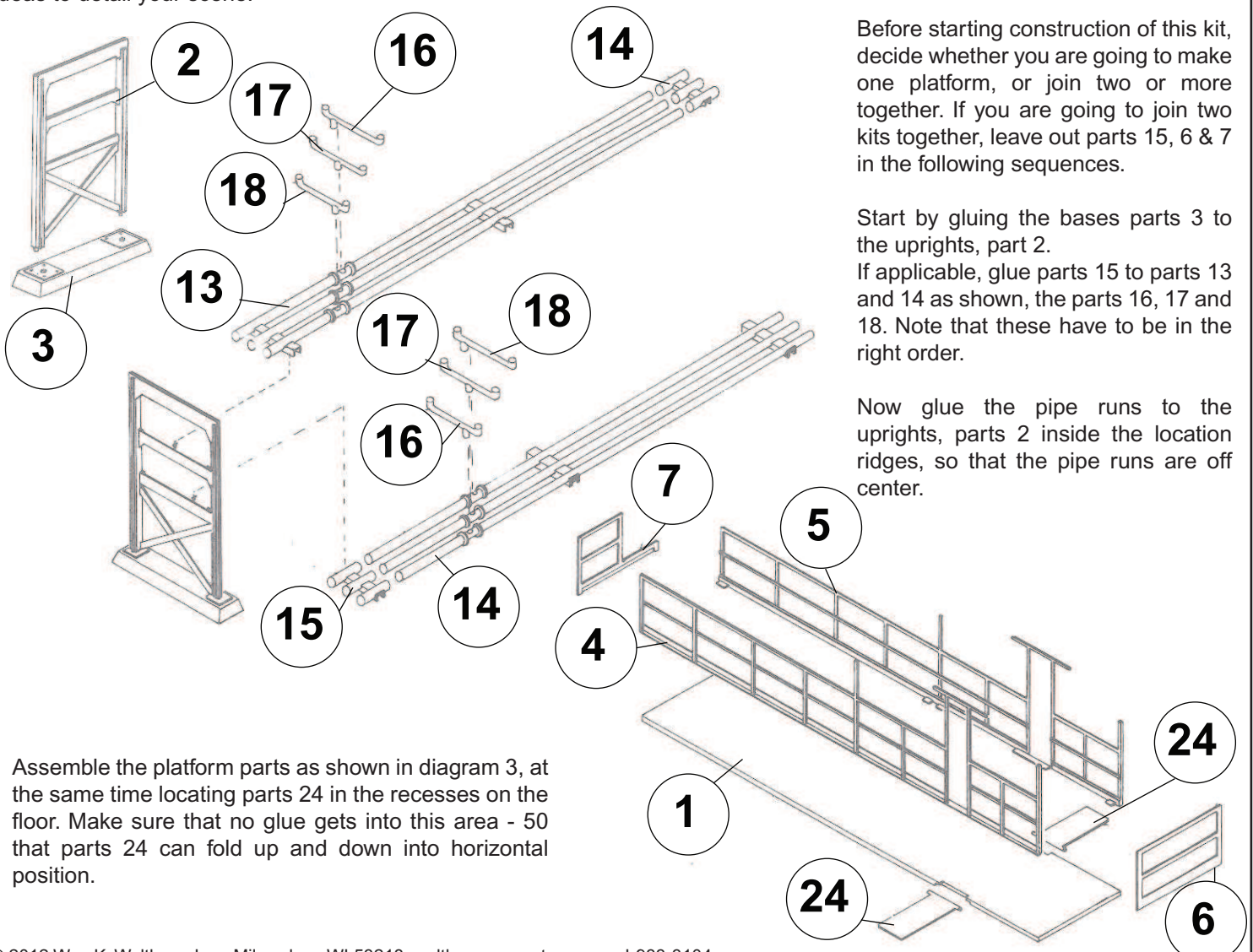
As demand for petroleum products grew in the 30's and 40's, many oil companies began building bulk oil terminals in major cities. Here, oil products of all types were delivered by pipeline or tank car from the refineries and stored in bulk for rail or high-way shipment to local customers.

Today, these facilities are served almost exclusively by pipelines so that tank cars arrive empty and are reloaded for bulk shipments to on-line customers.

Platforms like this are used to load materials directly into the tank cars. The platform is served by a series of supply pipelines, which are routed from the large storage tanks. The platform consists of a walkway, built high enough so that workers have easy access to the loading equipment located atop the tank car. Nozzles are piped up to the top of the platform so that several cars can be serviced at once.

Many of the loading facilities constructed when a terminal was built are still serving the larger tank cars in use today. The prototype for this kit was constructed in 1940 and is still going strong in the Jones Island industrial area located in Milwaukee, Wisconsin.

See your local dealer, look in our latest HO Railroad Reference Book or see our Web site at waltherscornerstone.com for more ideas to detail your scene.



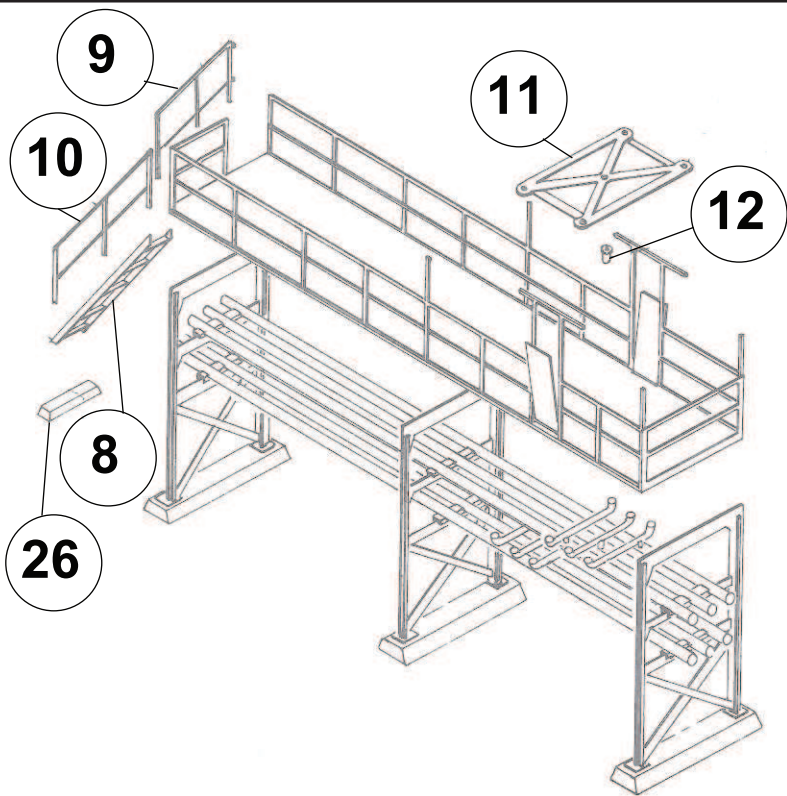
Before starting construction of this kit, decide whether you are going to make one platform, or join two or more together. If you are going to join two kits together, leave out parts 15, 6 & 7 in the following sequences.

Start by gluing the bases parts 3 to the uprights, part 2.

If applicable, glue parts 15 to parts 13 and 14 as shown, the parts 16, 17 and 18. Note that these have to be in the right order.

Now glue the pipe runs to the uprights, parts 2 inside the location ridges, so that the pipe runs are off center.

Assemble the platform parts as shown in diagram 3, at the same time locating parts 24 in the recesses on the floor. Make sure that no glue gets into this area - 50 that parts 24 can fold up and down into horizontal position.



Assemble this part onto the uprights, then add parts 11,12 and 8, 9,10, & 26.

Make sure the ends of parts 19 & 20 are clean and free from flash, then glue parts 27 in place as shown. Glue parts 23 (handles) in place, and while this assembly is drying, glue part 21 to part 22 to form a sleeve. Make sure that there is no glue in the center pivot part. When dry, slide these onto the long pipe on parts 19 & 20, then glue these parts to the platform. The lower rings locate on parts 16, 17 & 18, and the top goes thru the holes in part 11.

Add the rest of the rings and feed pipes as shown on below.

Parts 29 match piping found in Walthers 933-3105 Piping Kit, which may be used to extend these pipes and connect the Loading Platform to other facilities.

Cut and reconnect as needed.

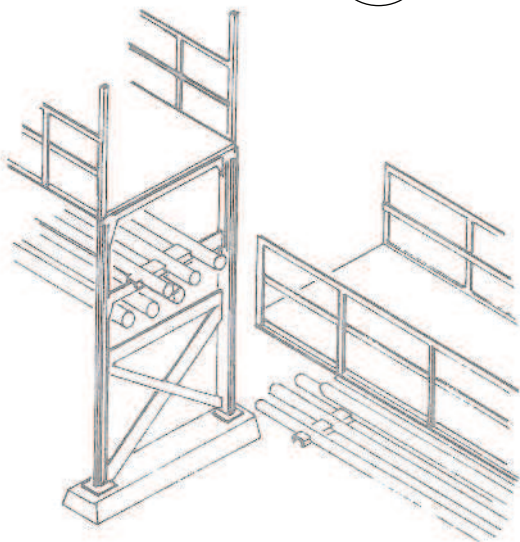
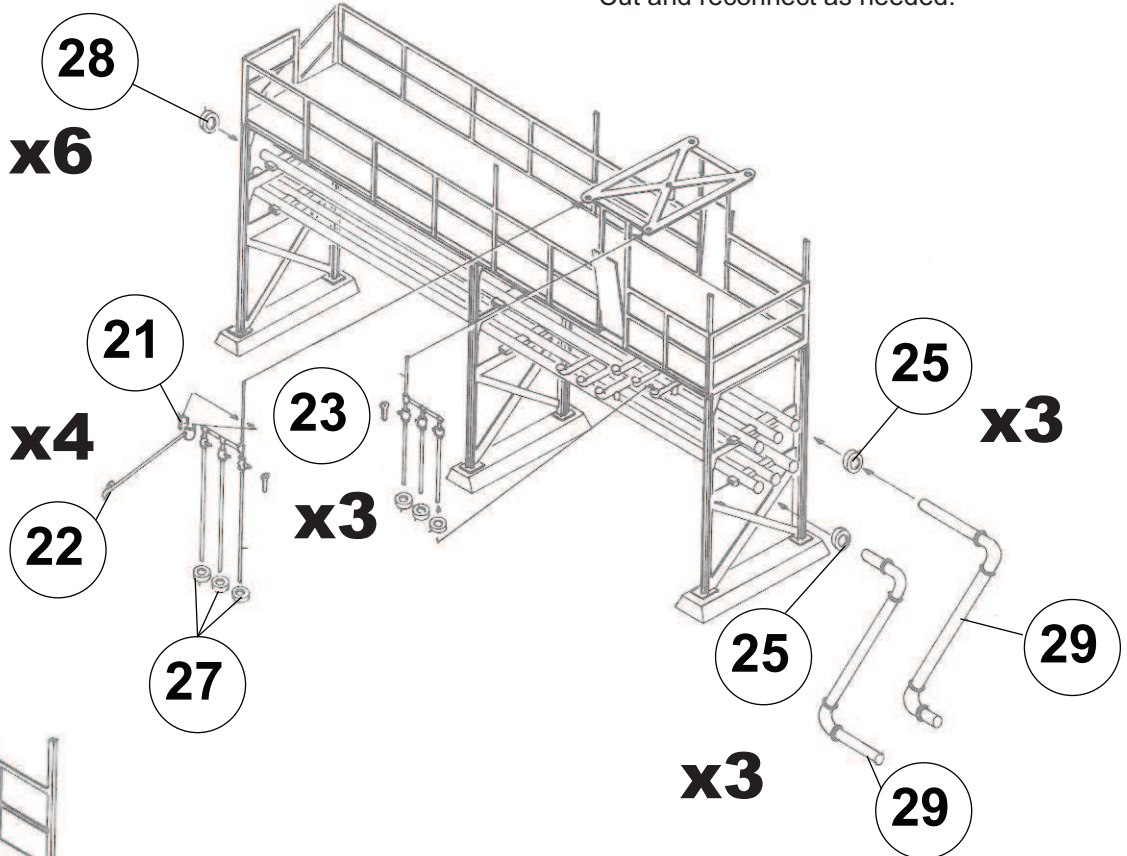


Diagram shows how to assemble two kits together