



HO Structure Kit

CENTENNIAL MILLS, INC.

933-3160

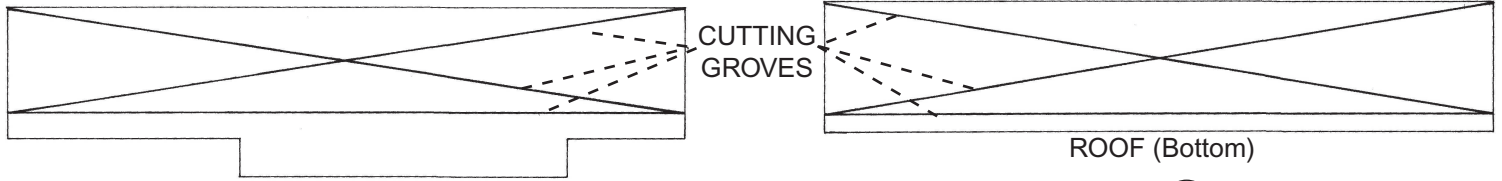
Thanks for purchasing this Cornerstone® kit. Please read the instructions and study the drawings before starting construction. All parts are styrene, so use compatible glue and paint. PLEASE NOTE that this is a partial kit designed to provide a realistic transition between foreground and background scenery. Cut lines in the roof and base allow you to build a thinner structure, or a right- or left-angled building. Some parts are included that are not used in this model — keep these for future projects.

Bread has been part of our diet for centuries, but before you can make bread you have to make flour by milling or grinding wheat kernels to separate the gluten from the bran. Production was limited until the industrial revolution, which brought sweeping changes to American agriculture, railroads and technology. As a result, flourmills became large and complex industries that stored, processed, packaged and shipped flour on an enormous scale. These facilities were made of brick and later concrete to reduce the danger of fire and explosion (flour is actually very fine grain dust and highly flammable), and in later years, dust collectors were added to filter the air and improve safety. Well into the 1960s, grain and flour moved in boxcars, but many older mills were modernized to handle the new generations of covered hoppers that began taking over, and are still in operation today. The small size and unique design of this model make it ideal for use at the edge of any layout, and it's particularly well suited to smaller modules or shelf layouts. Typical of city milling operations, with appropriate figures, freight cars and other details, your new model is perfect for layouts from the 1920s to the present. For additional ideas to complete your scene, visit your local hobby shop, see the current Walthers HO Model Railroad Reference Book, or visit us online at walthers.com.

Modifying your Structure

Decide if you will build a stock model (1-7/8" 4.6cm wide) or make any modifications.

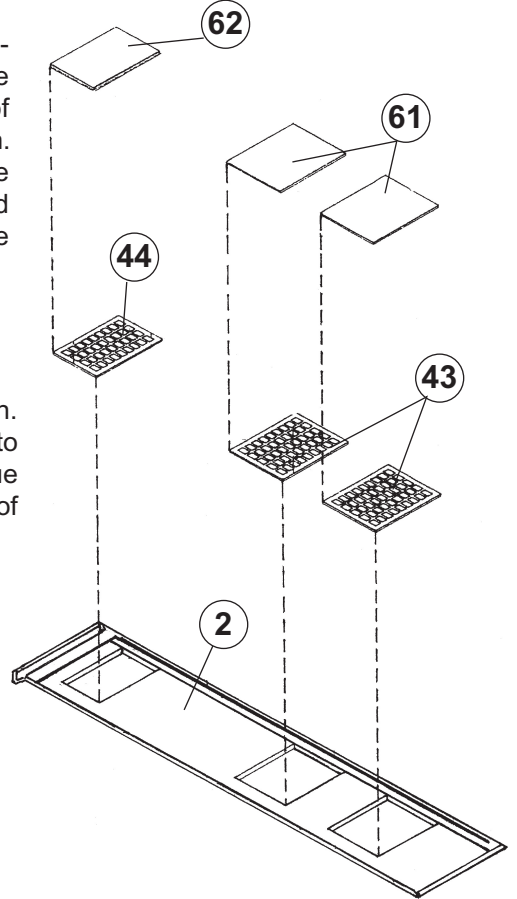
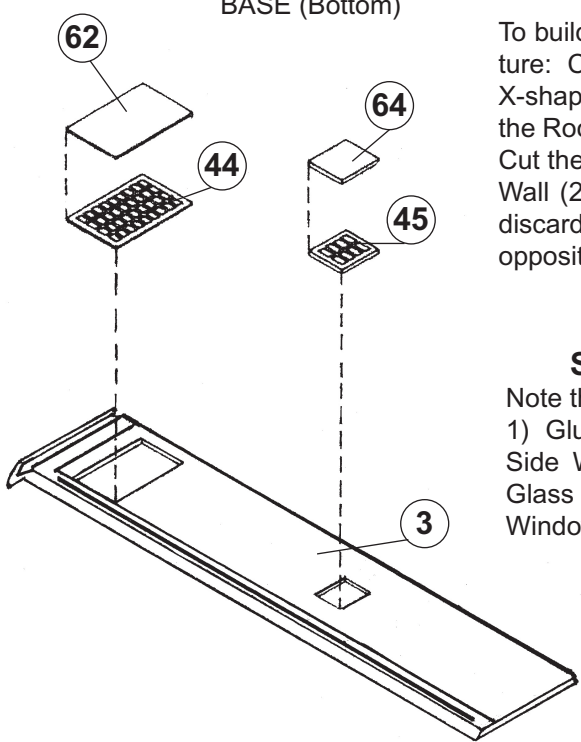
To reduce overall width to 3/8" (0.95cm): Cut through the horizontal groove on the bottom of the Roof (6) and Base (1) as shown; discard remaining portions with X grooves. Cut through the groove on each Side Wall (2, 3) and discard the remaining portion with windows.



To build a left- or right-angled structure: Cut through the appropriate X-shaped grooves on the bottom of the Roof (6) and Base (1) as shown. Cut the appropriate left or right Side Wall (2, 3) to fit the short side and discard the remaining piece; the opposite Side Wall is used as-is.

Side Wall Assembly

Note that standard parts are shown.
 1) Glue Windows (43, 44, 45) to Side Walls (2, 3) as shown; glue Glass (61, 62, 64) to backs of Windows.



Front Wall Assembly

Note that standard parts are shown.

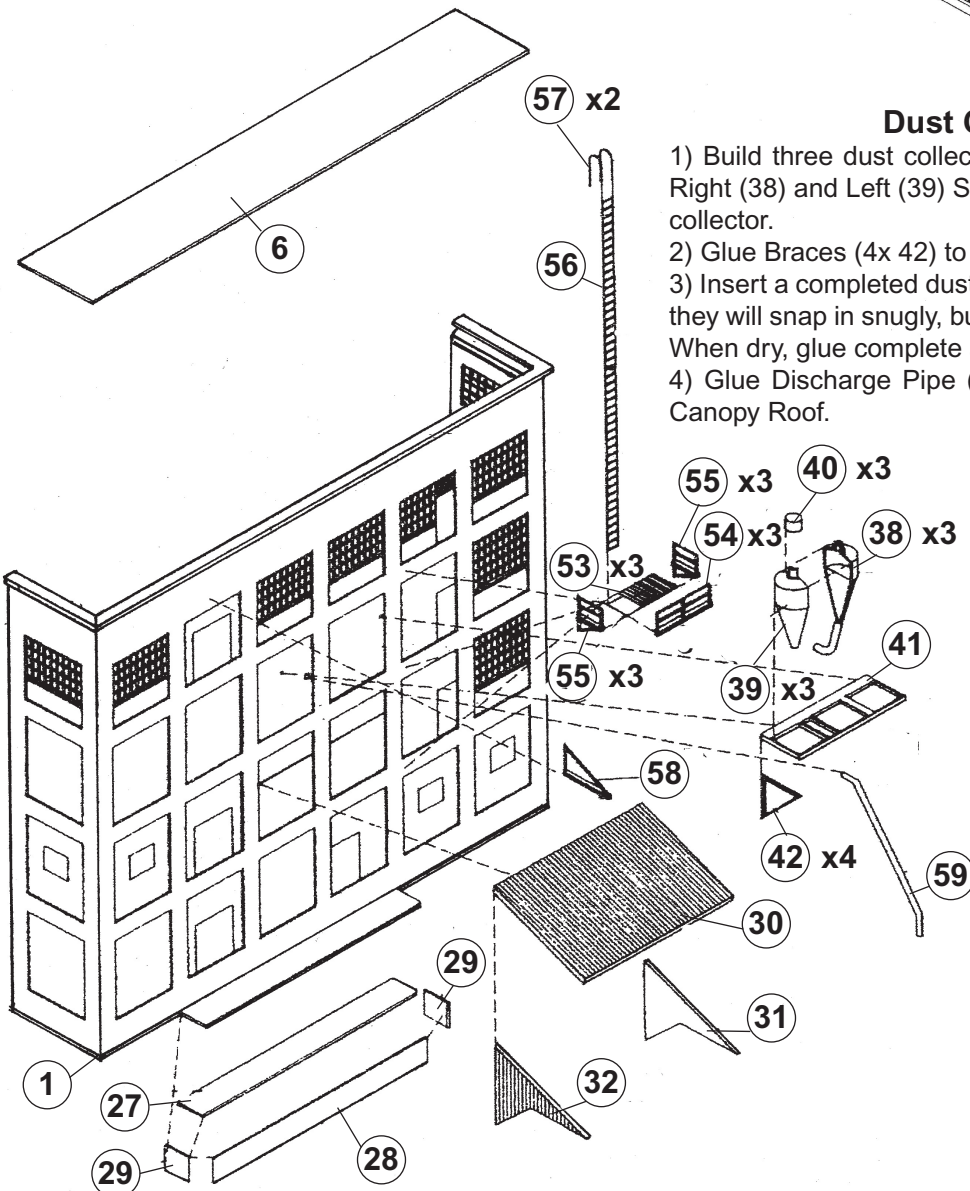
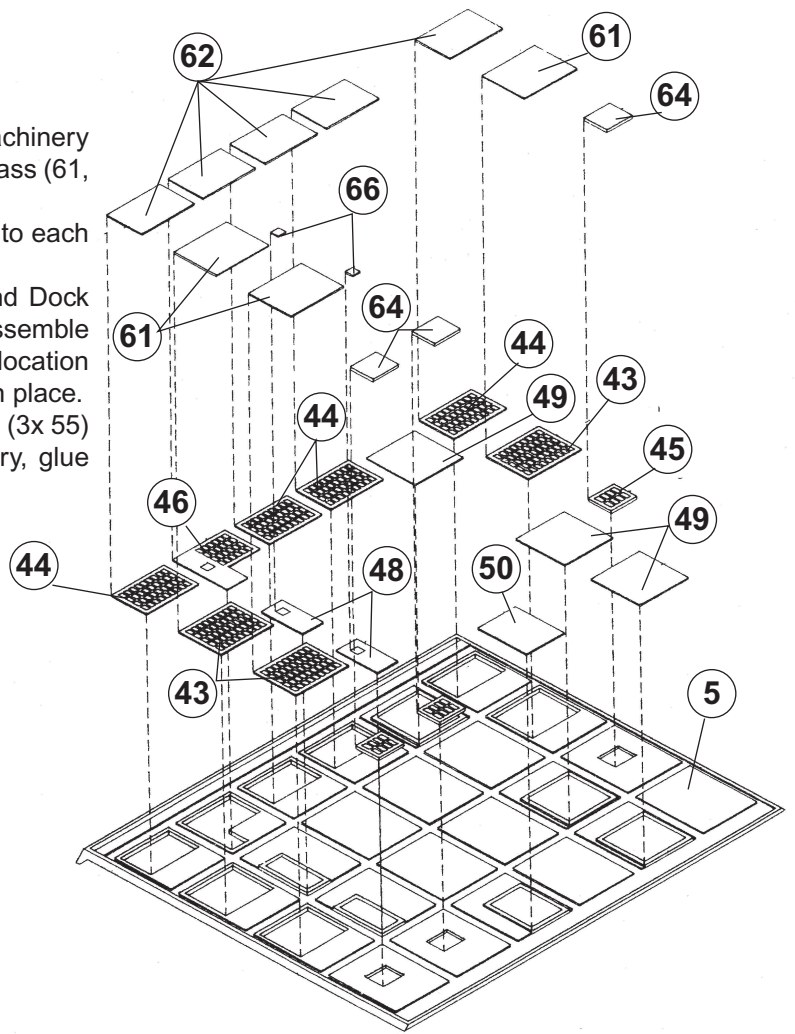
1) Glue Windows (43, 44, 45, 46), Fire Doors (2x 48) and Machinery Access Doors (2x 49, 50) to Front Wall (5) as shown; glue Glass (61, 62, 64, 66) to backs of Windows and Doors.

2) Glue Side Walls (2, 3) and Front Wall (5) to Base (1) and to each other at inside corners.

3) Glue Loading Dock Platform (27) to Dock Front (28) and Dock Sides (2x 29); glue completed dock assembly to Base. Assemble dock canopy by gluing Sides (31, 32) to Roof (30). Note the location of the ridge on the Front Wall, and glue completed canopy in place.

4) Assemble three Fire Escapes by gluing Left (3x 55), Right (3x 55) and Front (3x 55) Handrails to Platforms (3x 53). When dry, glue completed Fire Escapes to Front Wall (5) at each Fire Escape Door as shown. Glue Ladder Tops (2x 57) to Ladder (56). Thread Ladder through openings in each Fire Escape Platform, and glue to Wall.

5) Glue Hoist Beam (58) to Wall, centered above top-most Machinery Access Door as shown.



Dust Collector Assembly

1) Build three dust collector assemblies following these steps: glue Right (38) and Left (39) Sides together. Glue Cap (40) to top of each collector.

2) Glue Braces (4x 42) to lower side of Bracket (41) as shown.

3) Insert a completed dust collector through each opening in Bracket; they will snap in snugly, but can be secured with a little glue if desired. When dry, glue complete assembly to Wall using mounting holes.

4) Glue Discharge Pipe (59) to Wall using mounting holes, and to Canopy Roof.

DECALING

1. After cutting out the decal, dip in water for 10 seconds, remove and let stand for 1 minute. Slide decal onto surface, position and then blot off any excess water.

2. Lightly brush Micro Sol® on top. This will soften the decal allowing it to conform to irregular surfaces. DO NOT TOUCH DECAL while wet!

3. When the decal is thoroughly dry, check for any trapped air bubbles. Prick them with the point of a small pin or hobby knife blade and apply more Micro Sol®.