



HO Structure Kit ARMSTRONG ELECTRIC MOTORS 933-3172

Thanks for purchasing this Cornerstone Series® kit. All parts are made of styrene, so use compatible paint and glue. PLEASE NOTE: This is a partial kit, designed for use as a scenic background. It can be built as a building front, or a back with a loading platform. It can also be built in three different lengths. Please study the drawings and read all instructions before starting assembly.

ON YOUR LAYOUT

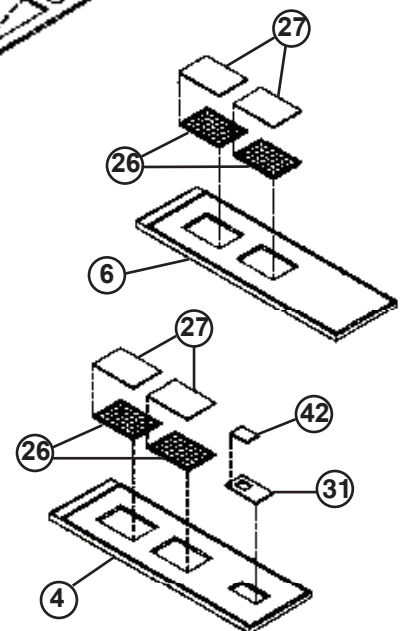
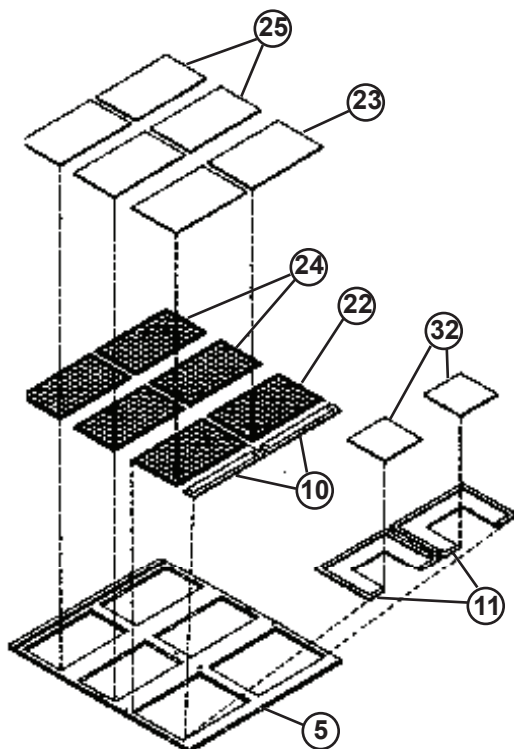
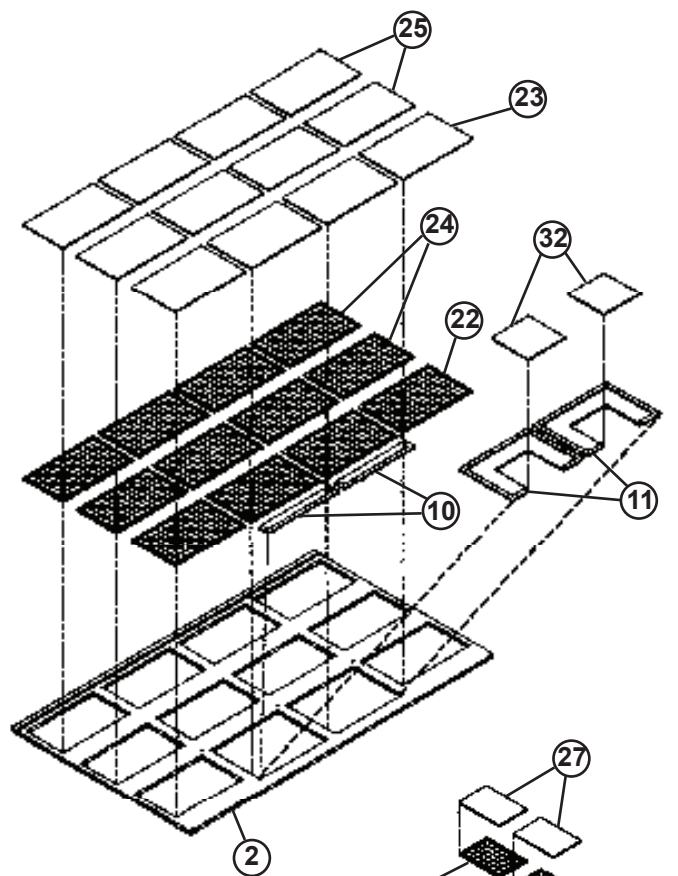
This special background building lets you use that last little bit of space to create a realistic background for any industrial area. The model can be used on the edge of your benchwork, along a shelf or

modular layout and in dioramas. With its detailed “brick curtain” construction, this model is perfect for layout scenes from the 1920s to the present and is easily used with other Background Building Kits (931-3160 series) sold separately. Once installed, it provides a smooth, realistic transition between 3-D foreground scenery and painted or printed backgrounds like Instant Horizons (949-701 series) and Instant Buildings (933-722 series).

See your local hobby dealer or visit our Web site at www.waltherscornerstone.com for additional accessories to complete your new scene.

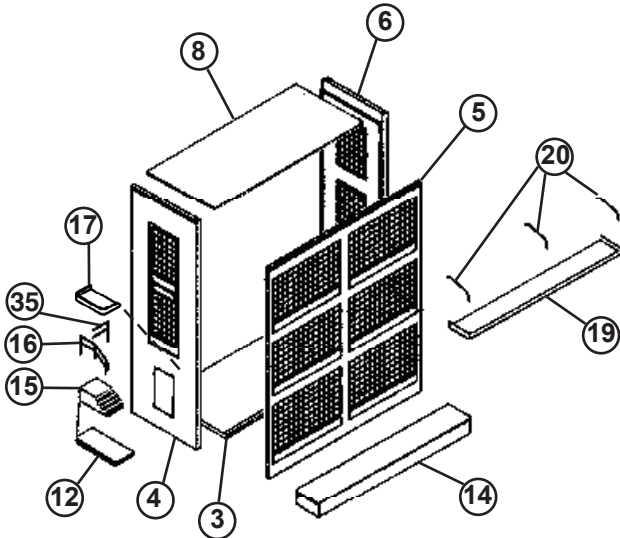
IMPORTANT: Consult the last page to determine which option you want to build before continuing.

1. You have three options for building this kit. You can build a short version, using walls #4, 5 and 6; or a medium length version, using walls #2, 4 and 6; or a long version, using walls #2, 4, 5 and 6.
2. You also have the option of installing either windows or overhead doors in wall #2 (middle two openings) or wall #5. **NOTE:** Two freight doors (32) are provided and enough support rods (20) to support one canopy. So if you choose to make the long version, locate the freight doors in either wall #2 or 5 and use the appropriate dock and canopy.
 - a. **WINDOWS:** To install windows first glue the lower brick filler piece (10) in place.
 - b. **OVERHEAD DOORS:** To install the doors, first glue the door openings (11) in place. Then glue on the doors (32).
3. Glue the windows (22,24) in place on the walls (2,5).
4. Glue the windows (26) and door (31) in place on wall #4.
5. Glue the windows (26) in place on wall #6.
6. Glue the “glass” (23,25,27,42) onto the backs of their respective windows and door.



SHORT VERSION

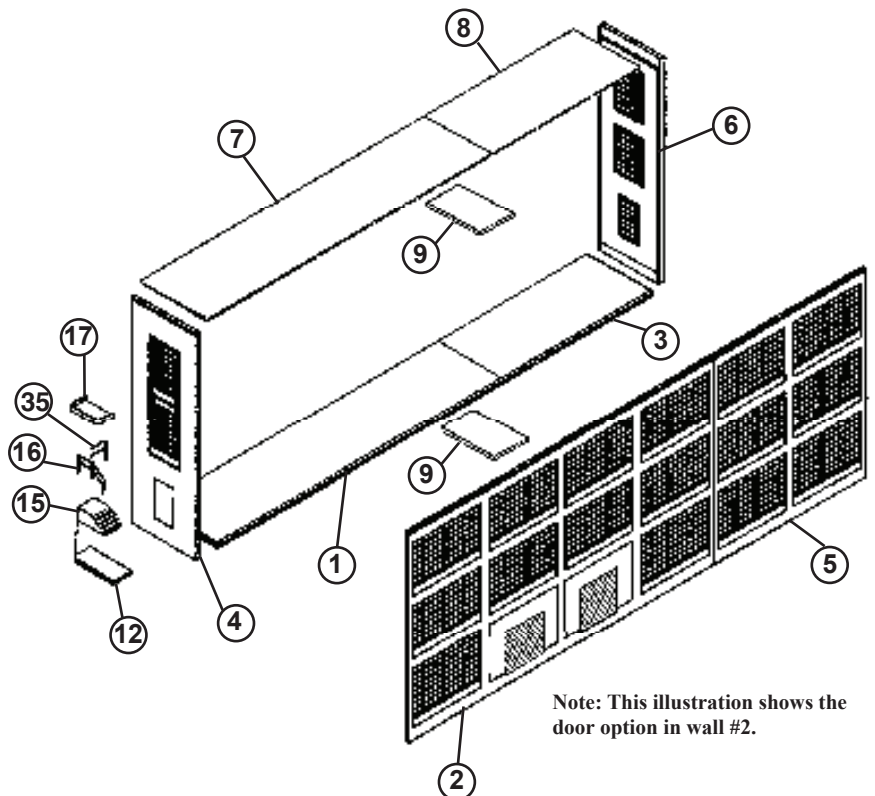
6. If you had installed doors and wish to add a canopy over the doors, drill out the holes in the back of wall #5. Use a #60 drill for the top holes and a #52 drill for the bottom holes.
7. Glue the walls (4,5,6) together and to the base (3). NOTE: You may swap positions of walls #'s 4 & 6.
8. Glue the stairway (12,15,16,35) together and to wall #4. Then glue on the canopy #17.
9. Glue the roof (8) in place.
10. If you have drilled out holes in step 6, glue the support rods (20) to the canopy (19) and then glue this in place in the holes in wall #5. You may then glue the dock (14) to wall #5.



Note: This illustration shows the window option

LONG VERSION

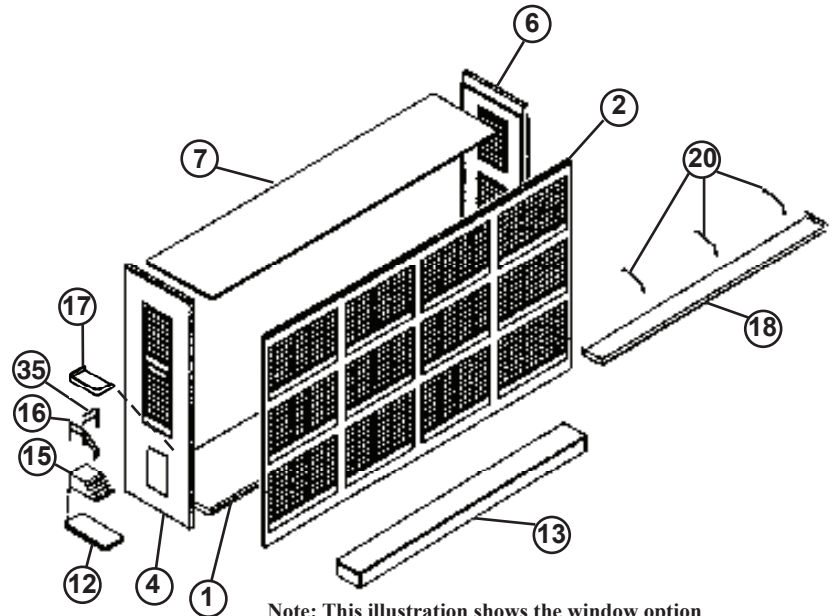
16. If you had installed doors and wish to add a canopy over the doors, drill out the holes in the back of either wall #2 or wall #5 (not both). Use a #60 drill for the top holes and a #52 drill for the bottom holes. NOTE: You will only be able to attach one canopy with brackets, so if you've put doors in both wall sections, decide over which section you want the canopy.
17. Glue the bases (1,3) together gluing the splice plate (9) underneath, between the location lines.
18. Glue the walls (2,3,4,6) together and to the combined base. NOTE: You may swap positions of walls #'s 4 & 6.
19. Glue the stairway (12,15,16,35) together and to wall #4. Then glue on the canopy #17.
20. Glue the roof sections (7,8) together gluing the splice plate (9) underneath, between the location lines.
21. Glue the extended roof in place.
22. If you have drilled out holes in step 16, glue the support rods (20) to the canopy (18 or 19) and then glue this in place in the holes. You may then glue the appropriate dock (13 or 14) to either wall #2 or #5.



Note: This illustration shows the door option in wall #2.

MEDIUM VERSION

11. If you had installed doors and wish to add a canopy over the doors, drill out the holes in the back of wall #2. Use a #60 drill for the top holes and a #52 drill for the bottom holes.
12. Glue the walls (2,4,6) together and to the base (1). NOTE: You may swap positions of walls #'s 4 & 6.
13. Glue the stairway (12,15,16,35) together and to wall #4. Then glue on the canopy #17.
14. Glue the roof (7) in place.
15. If you have drilled out holes in step 11, glue the support rods (20) to the canopy (18) and then glue this in place in the holes in wall #2. You may then glue the dock (13) to wall #2.



Note: This illustration shows the window option

DECALING

1. After cutting out the decal, dip in water for 10 seconds, remove and let stand for 1 minute. Slide decal onto surface, position and then blot off any excess water.
2. Lightly brush on Micro Sol® on top. This will soften the decal allowing it to conform to irregular surfaces. DO NOT TOUCH DECAL while wet!
3. When the decal is thoroughly dry, check for any trapped air bubbles. Prick them with the point of a small pin or hobby knife blade and apply more Micro Sol®.