



N Structure Kit

CENTRAL GAS AND SUPPLY

933-3213

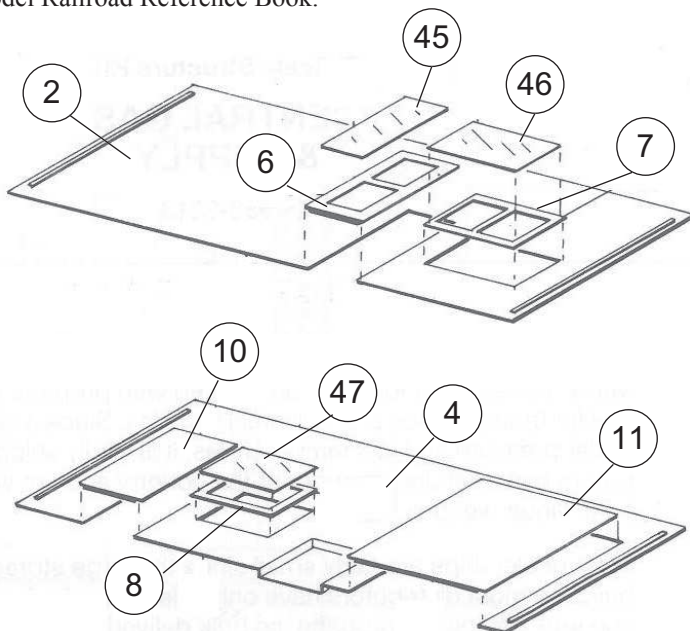
Thanks for purchasing this Cornerstone Series® kit. Please read these instructions and study the drawings before starting. All parts are styrene, so use compatible glue and paint to assemble your model.

Many homes and industries are heated with propane gas, and it is also used as fuel for trucks, buses and industrial vehicles. Since it can be converted to a liquid under pressure and low temperatures, it is easily shipped by rail. Propane distributors can be found throughout the country and are very common in areas with cold winter weather.

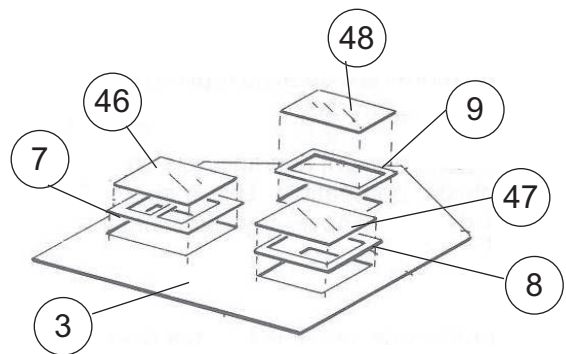
Most dealerships are fairly small since the large storage tanks are expensive to build, so most distributors have only one or two tanks. Each usually holds about one tank car load of propane, so bulk deliveries can be made weekly, especially during the busy season. A fleet of tank trucks is used for local deliveries. Due to the small size of the facility, they can be found on small or oddly shaped lots next to the right-of-way, making them an ideal business for any size layout.

Central Gas and Supply is typical of propane distributors who receive bulk shipments by rail. The finished model fits any region of the country and is adaptable to many time periods. The tanks, office and other details can be arranged to fit a small or unusually shaped space.

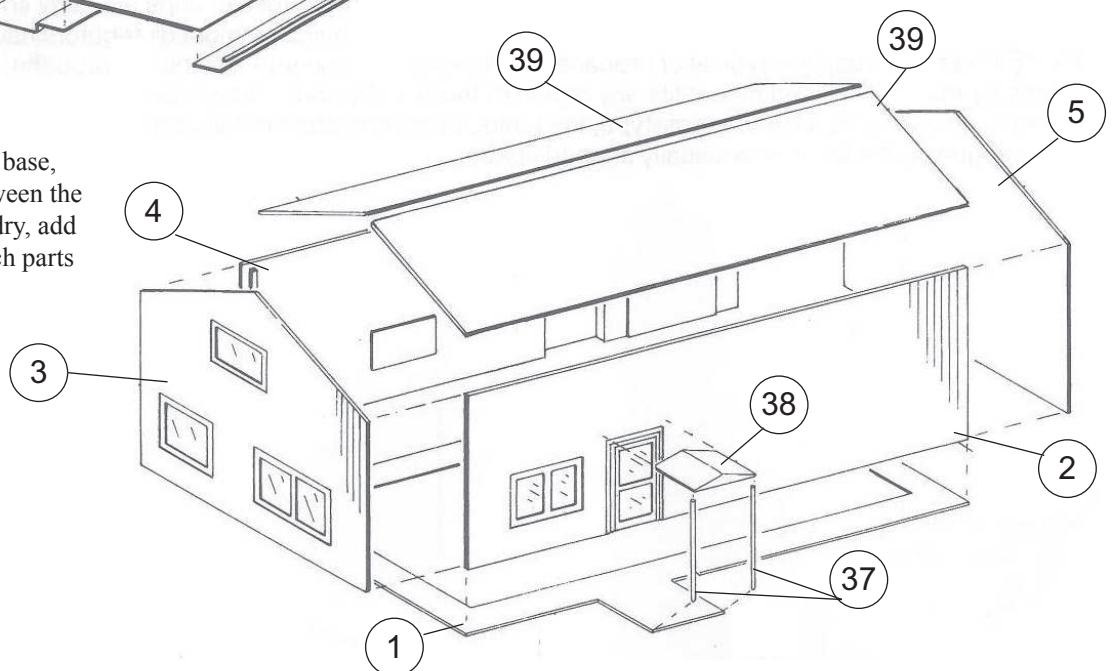
For more ideas to detail your scene, ask your dealer, visit our Web-site waltherscornerstone.com or see the latest Walthers N&Z Scale Model Railroad Reference Book.

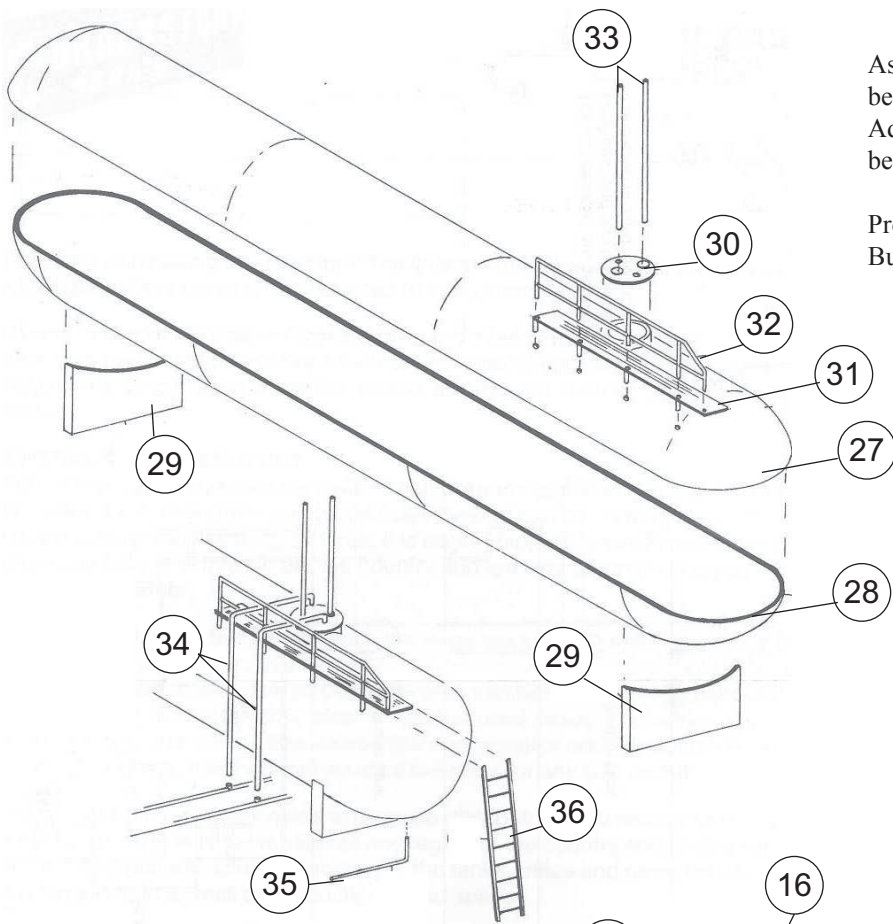


Start construction of the main building by gluing the window frames and doors in the position shown. Then add "glass" to the rear of the windows.



Assemble the walls on to the base, noting that the gables fit between the ends of the side wall. When dry, add the roof parts 39 and the porch parts 37 & 38.



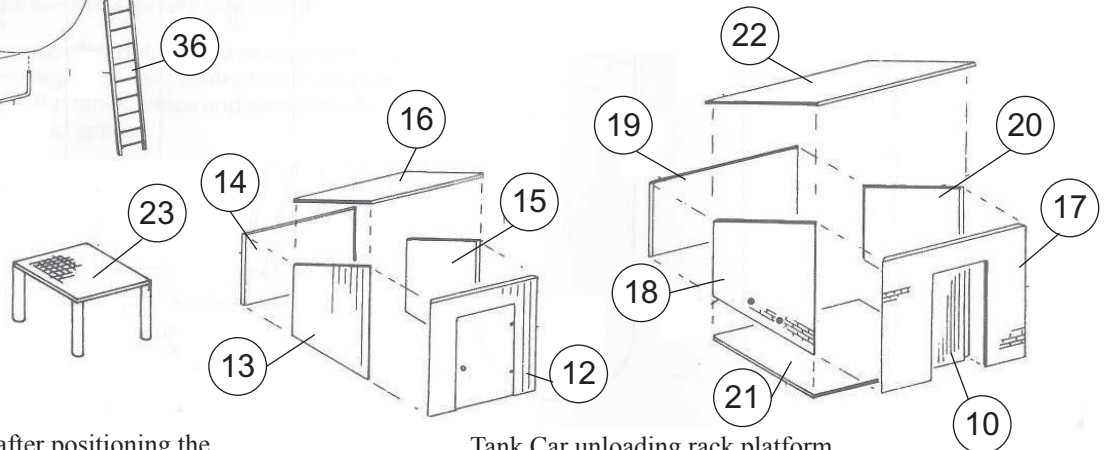


Assemble the two tanks halves parts 27 & 28, being careful to get a neat joint along the sides. Add the pipes and fittings; note that parts 34 go between the rails on part 32.

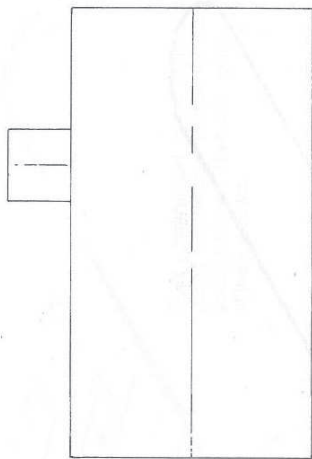
Proceed with the assembly of the two small Buildings

DECALING

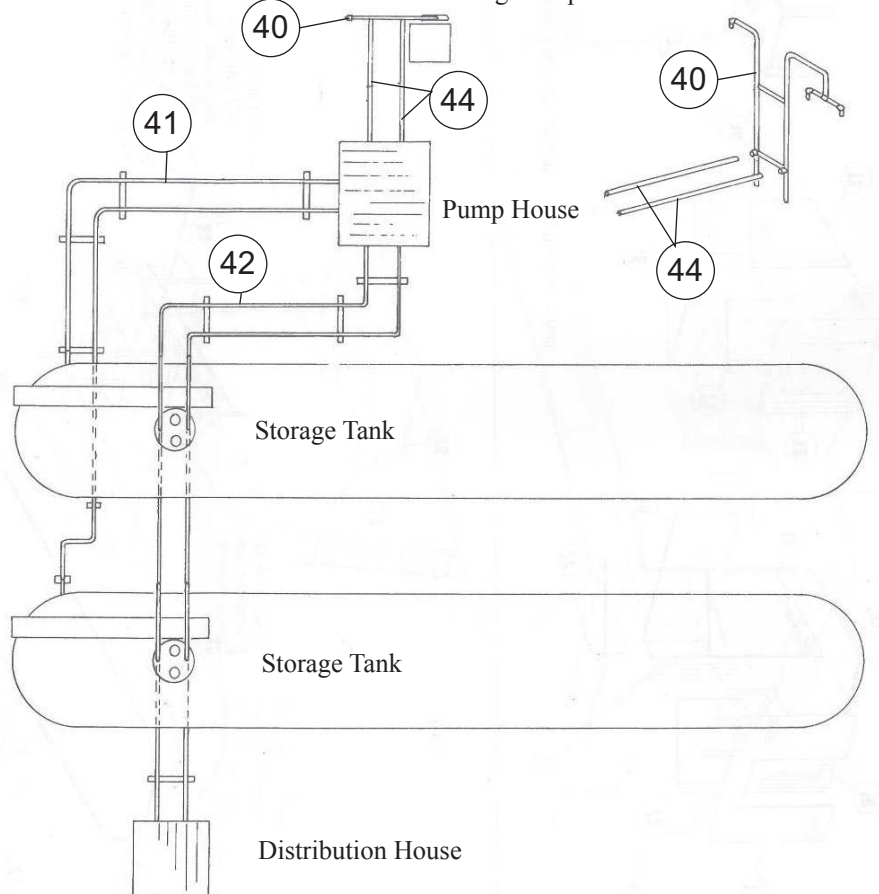
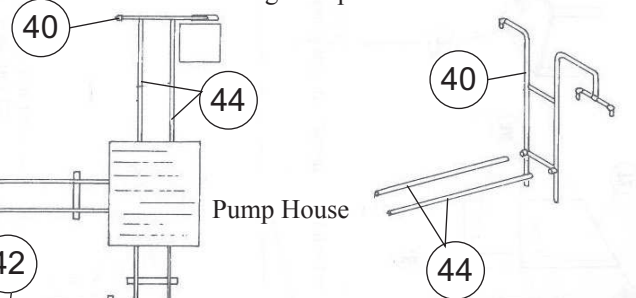
1. After cutting out the decal, dip in water for 10 seconds, remove and let stand for 1 minute. Slide decal onto surface, position and then blot off any excess water.
2. Lightly brush Micro Sol® on top. This will soften the decal allowing it to conform to irregular surfaces. **DO NOT TOUCH DECAL** while wet!
3. When the decal is thoroughly dry, check for any trapped air bubbles. Prick them with the point of a small pin or hobby knife blade and apply more Micro Sol®.



Assemble the pipe runs as shown after positioning the various components as shown in this diagram.



Tank Car unloading rack platform



43 The accessories are assembled as shown and can be placed as needed around the model.

