



HO Structure Kit NORTHERN LIGHT & POWER 933-3214

Thanks for purchasing this Cornerstone Series® kit. Please read all instructions and study the drawings before starting. All parts are styrene plastic, so use compatible glue. If you wish to decorate your model, use paints for plastic models. With appropriate details and signs, your finished model fits almost any era.

This building is right at home in a big city or small town from the 1880's to the present. The finished model can be used with a large industrial complex, an interurban or streetcar line, or to represent a small area of a modern power plant.

The Powerhouse kit also includes a track-mounted dump pit for coal deliveries, which can be brought in using various types of cars to fit your favorite era. For in-plant switching, many facilities operate their own locos.

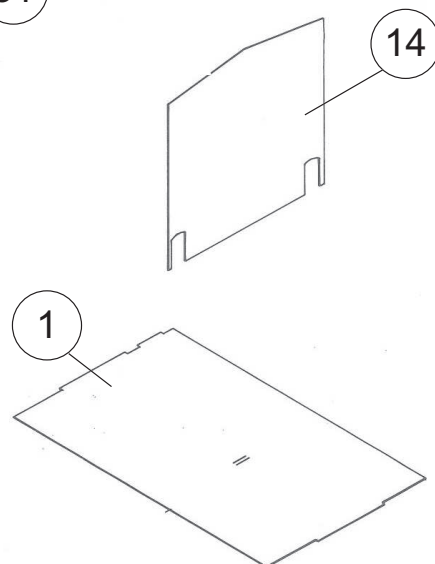
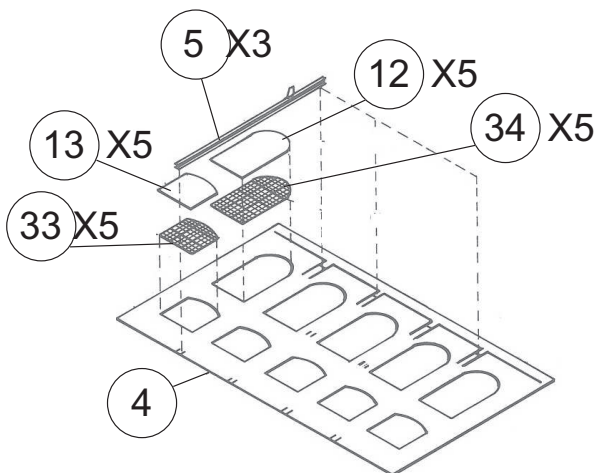
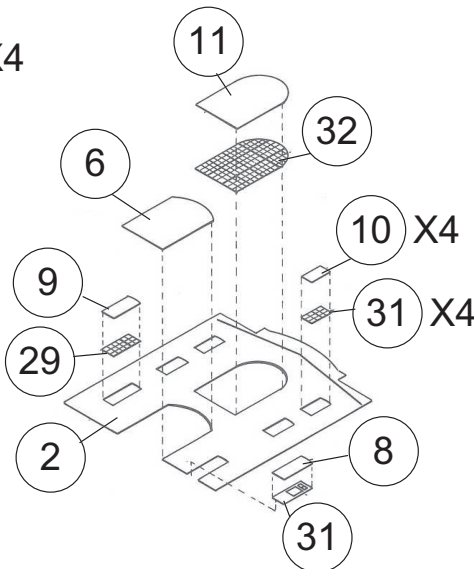
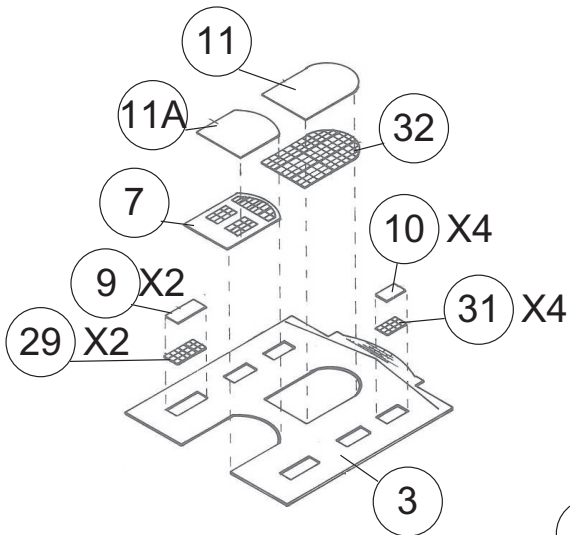
See your local hobby dealer, Walthers Latest N&Z Scale Reference book or visit our Web site at www.waltherscornerstone.com for additional accessories to complete your new scene.

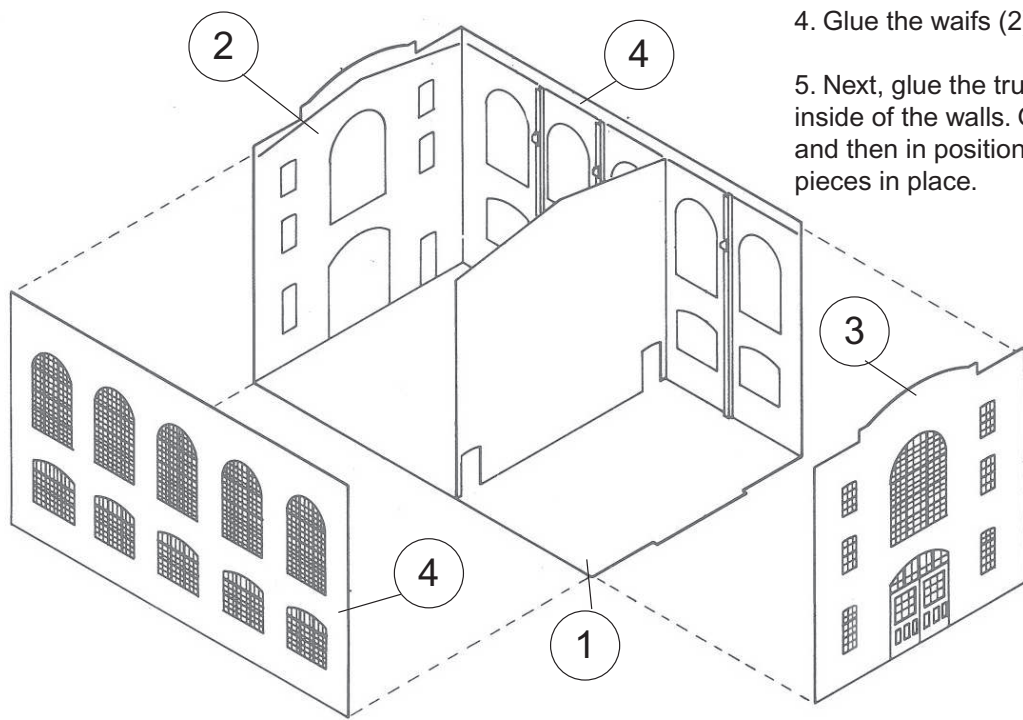
1. Locate end walls (2) & (3) and glue all of the window frames (29), (31) & (32) in place. Next, glue all the doors (6), (7) & (30) in their respective positions. Finish the end wall assemblies by gluing on the appropriate glass material (B), (9), (10), (11) & (11A) as shown.

2. Glue window frames (33) & (34) in place on the side walls (4). Then, glue the window glass (12) & (13) on the back of the frames. Next, glue I-beams (5) to the inside of the walls as illustrated (two at one end, space, then one at the other end).

NOTE: I-beam placement on the walls should be a mirror image of each other.

3. Glue the interior fire wall (14) to the base (1).

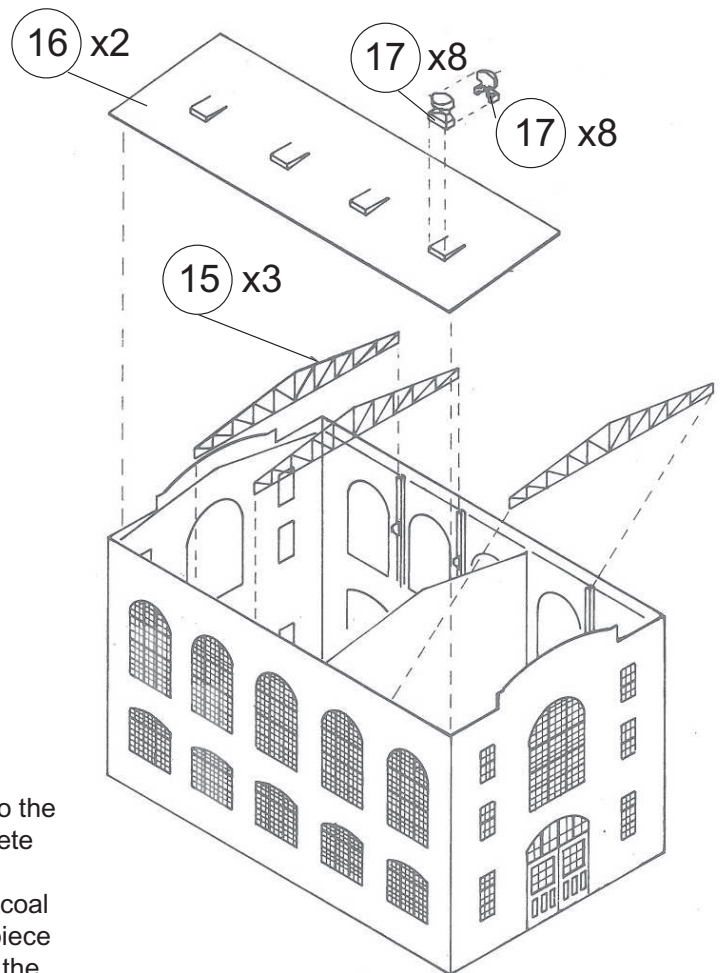
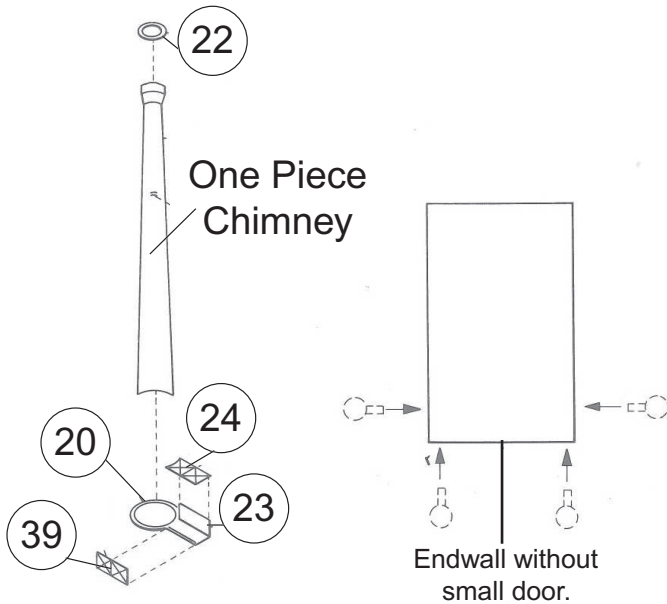




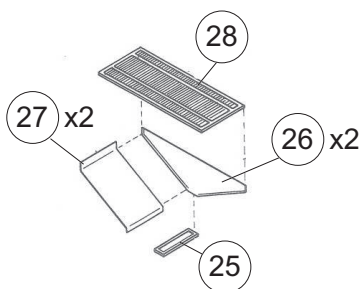
4. Glue the waifs (2), (3) & (4x2) to the base (1).

5. Next, glue the trusses (15) into the slots on the inside of the walls. Glue the vent halves (17) together and then in position on roof (16). Then, glue roof pieces in place.

6. Glue the smoke duct sides (23), (24) & (39) together. Glue the Chimney to the Base (20) along with Smoke Duct. Gluing the cap (22) to top of chimney.



7. Assemble the coal delivery hopper by gluing the sides (26) to the bottom angles (27). Next, glue the bottom (25) in place. Complete by gluing the top grate (28) on. NOTE: This hopper would be mounted under the track so that hopper cars could dump their coal through the grate. To model this, first cut the ties away from a piece of track the length of the grate. Then, place the track rail within the grooves on the top of the grate. For a stronger assembly, glue the rails to the grate with a small drop of slowsetting CA or GOO.



DECALING

1. After cutting out the decal, dip in water for 10 seconds, remove and let stand for 1 minute. Slide decal onto surface, position and then blot off any excess water.
2. Lightly brush Micro Sol® on top. This will soften the decal allowing it to conform to irregular surfaces. DO NOT TOUCH DECAL while wet!
3. When the decal is thoroughly dry, check for any trapped air bubbles. Prick them with the point of a small pin or hobby knife blade and apply more Micro Sol®.