



HO Structure Kit NEW RIVER MINING CO 933-3221

Thanks for purchasing this Cornerstone Series Kit. Please read all instructions before starting. All parts are molded in styrene plastic. Use glues and paints which are compatible.

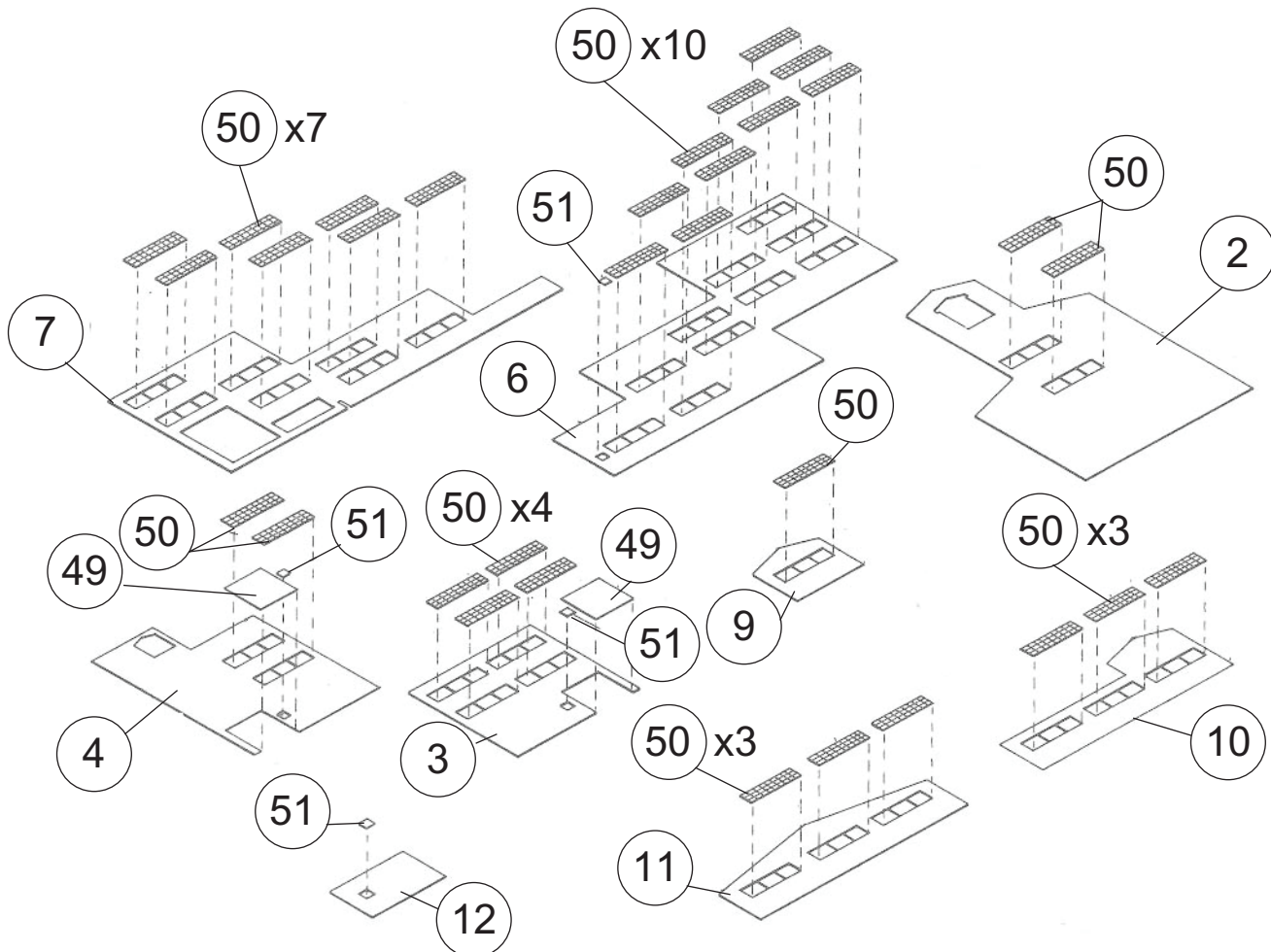
Railroads have played an important role in moving coal since their invention. Illustrations from the 15th century show mine carts with flanged wheels in use in central Europe. England's earliest known railway (built in 1603-04) was used to move coal. Many of America's first railroads served mines, and today, coal traffic is more important than ever to the nation's railroads.

Many new coal fields opened in the western U.S. during the 50's and 60's, including the prototype for the New River Mining Company, the Edna Mine, located at Oak Creek, Colorado. Coal from this region is clean-burning and low in sulfur, so it's in demand by power plants and other industrial customers around the country.

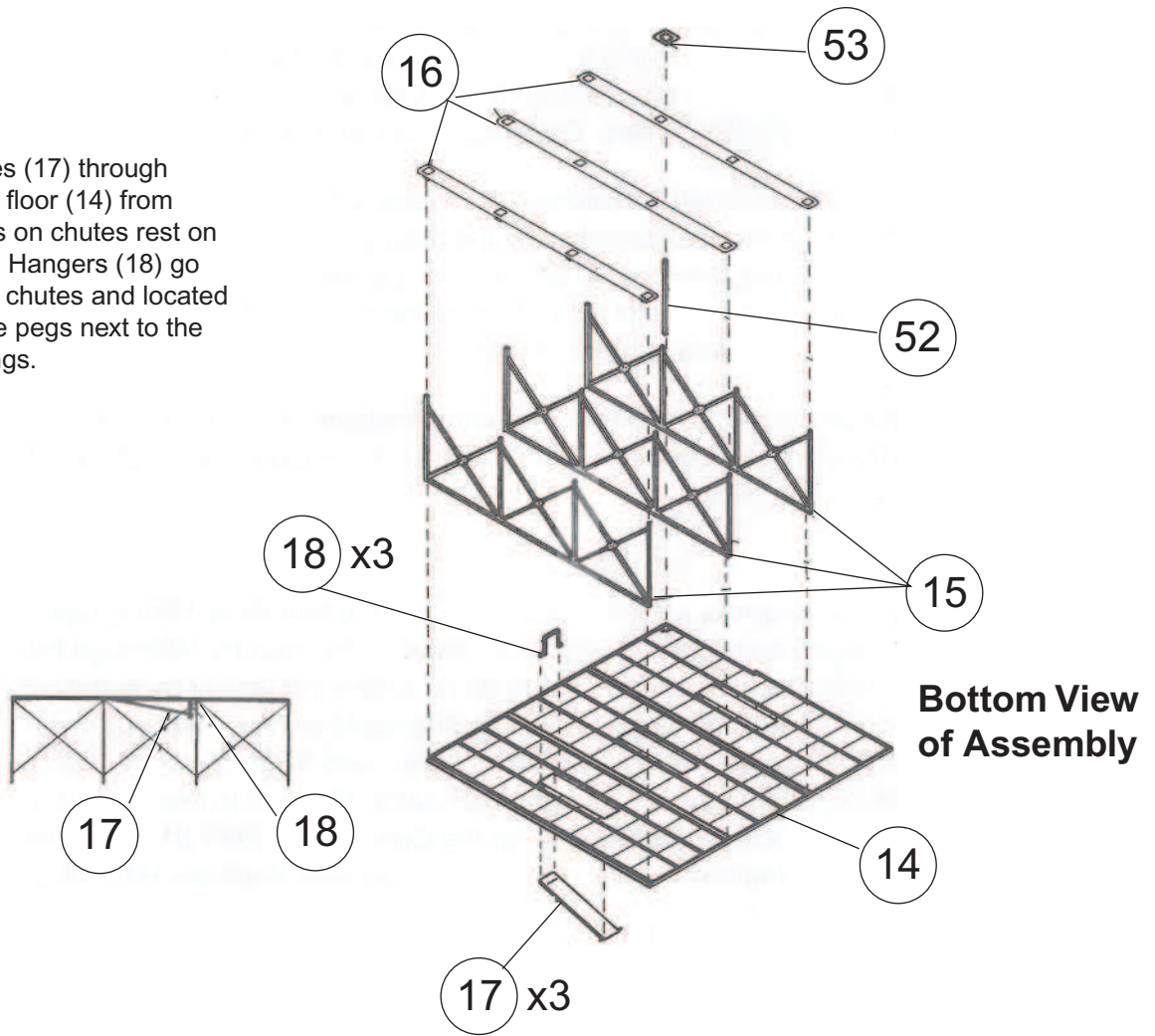
This operation is ideal for a model railroad, as only the loading tippie and conveyor (depicted by this model) need to be modeled. The actual open pit mine is on the other side of a mountain and a conveyor system brings coal from the mine to the tippie. Here it's fed into crushers and reduced into small lumps. Most of the coal shipped from Edna is known as "steam coal" and is crushed to about 2" for use in power plant boilers. Other sizes can also be produced.

Empty hoppers are brought in by the railroad and stored on a siding to the left of the tippie. This siding has a slight downgrade so empties can be rolled (using gravity) or pulled down under the loader with a large winch. Once loaded, the cars roll down hill to a scale track for weighing and then onto load tracks, where they're stored until picked up by the railroad. If motive power is available, unit trains can also be loaded in a similar manner.

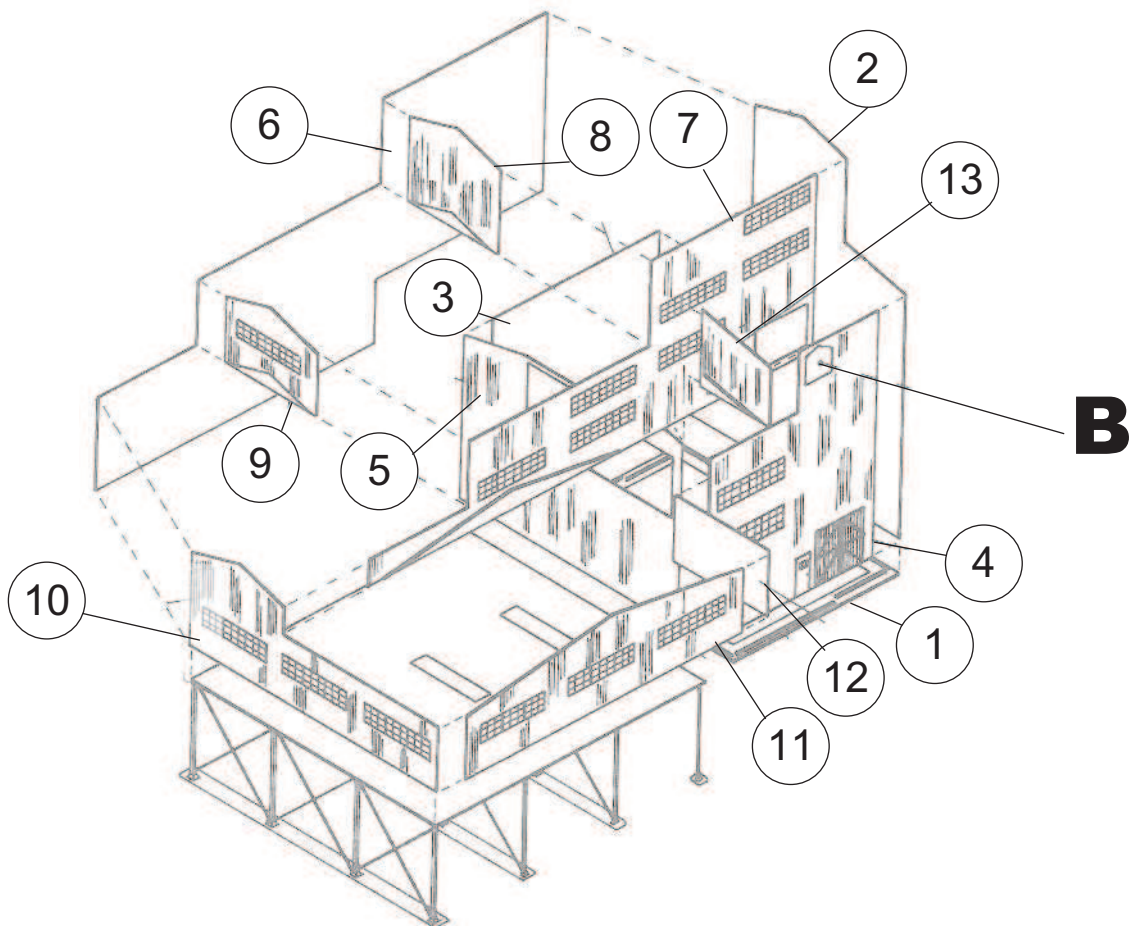
For more ideas to detail your scene, ask your dealer, visit our Web-site waltherscornerstone.com or see the latest Walthers N&Z Scale Model Railroad Reference Book.

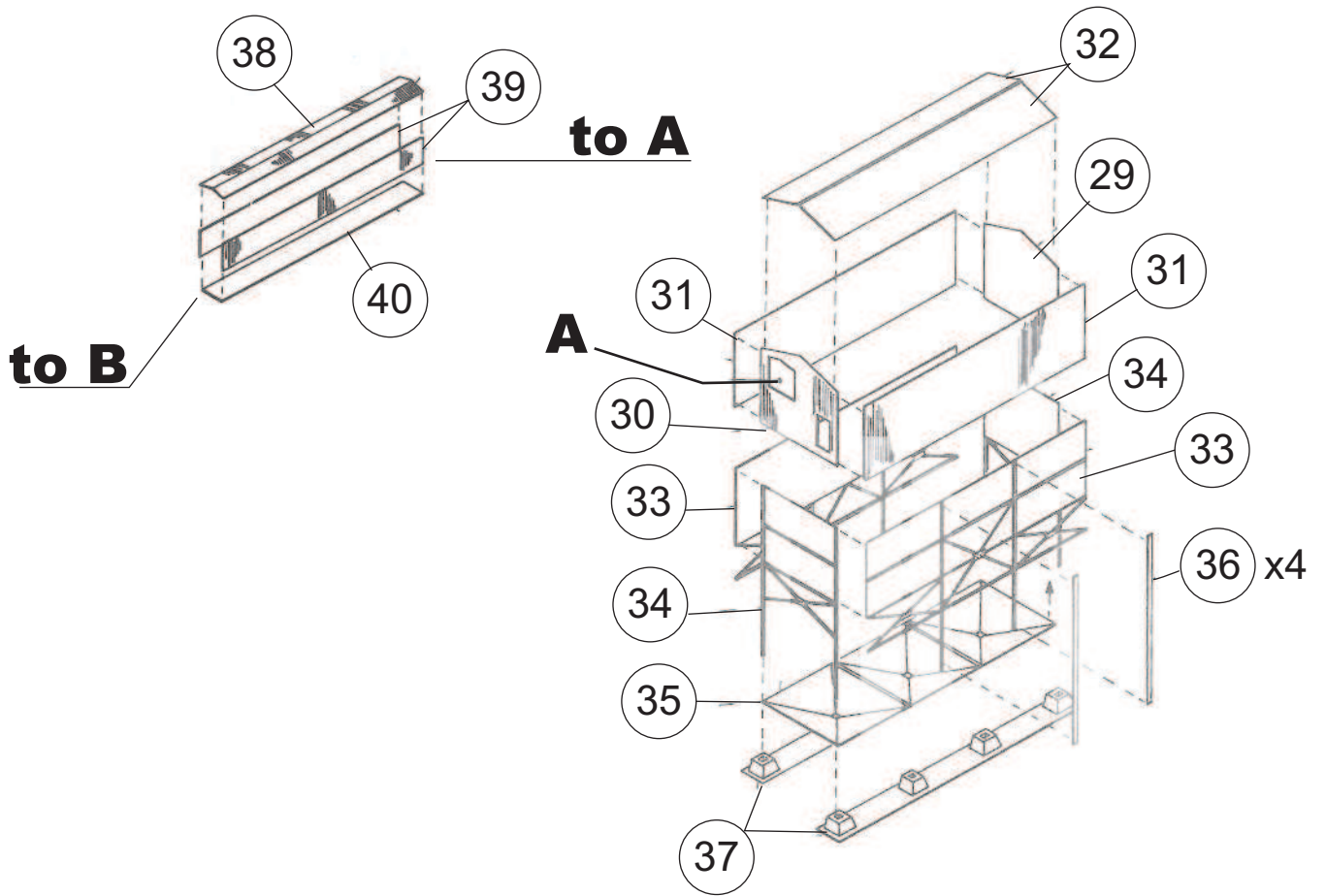


Insert chutes (17) through openings in floor (14) from above. Pins on chutes rest on top of floor. Hangers (18) go underneath chutes and located between the pegs next to the floor openings.

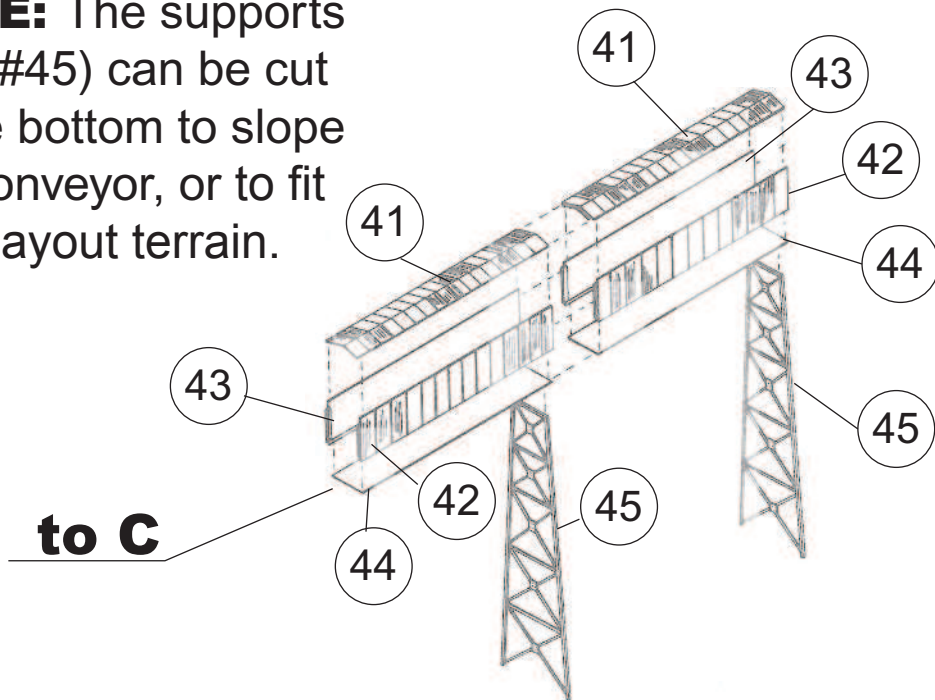


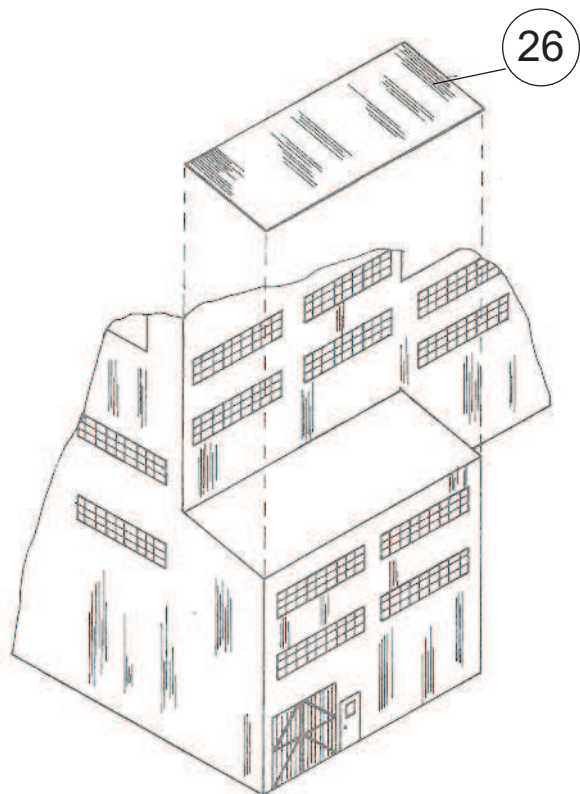
Bottom View of Assembly





NOTE: The supports (part #45) can be cut at the bottom to slope the conveyor, or to fit your layout terrain.





DECALING

1. After cutting out the decal, dip in water for 10 seconds, remove and let stand for 1 minute. Slide decal onto surface, position and then blot off any excess water.

2. Lightly brush Micro Sol® on top. This will soften the decal allowing it to conform to irregular surfaces. **DO NOT TOUCH DECAL** while wet!

3. When the decal is thoroughly dry, check for any trapped air bubbles. Prick them with the point of a small pin or hobby knife blade and apply more Micro Sol®.

