



# N Structure Kit

## VULCAN MANUFACTURING CO

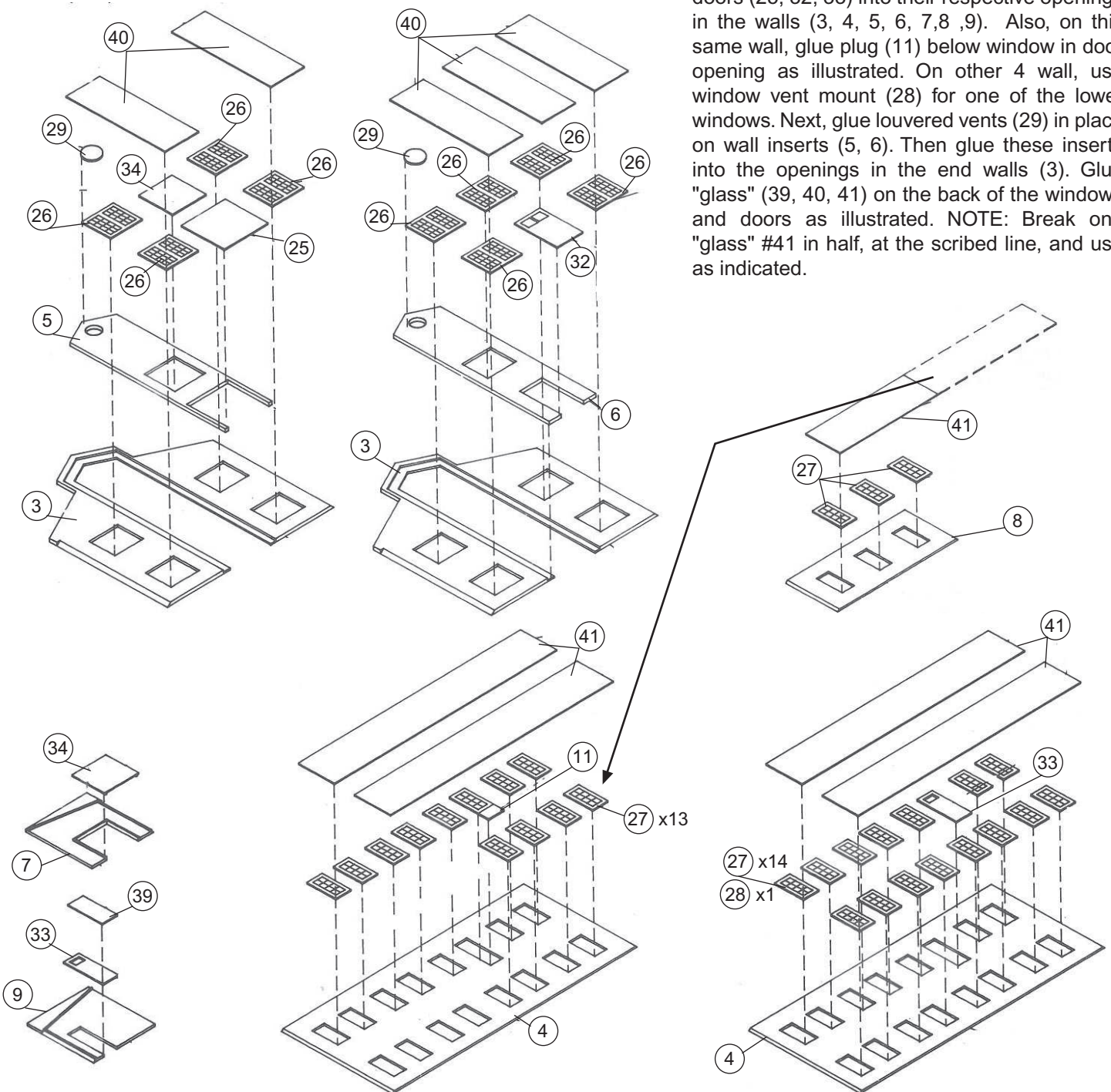
933-3233

Thanks for purchasing this Cornerstone Series® kit. Please take a moment to read all of the instructions and study the drawings before starting. All parts are made from styrene plastic, so use paints and glues which are compatible.

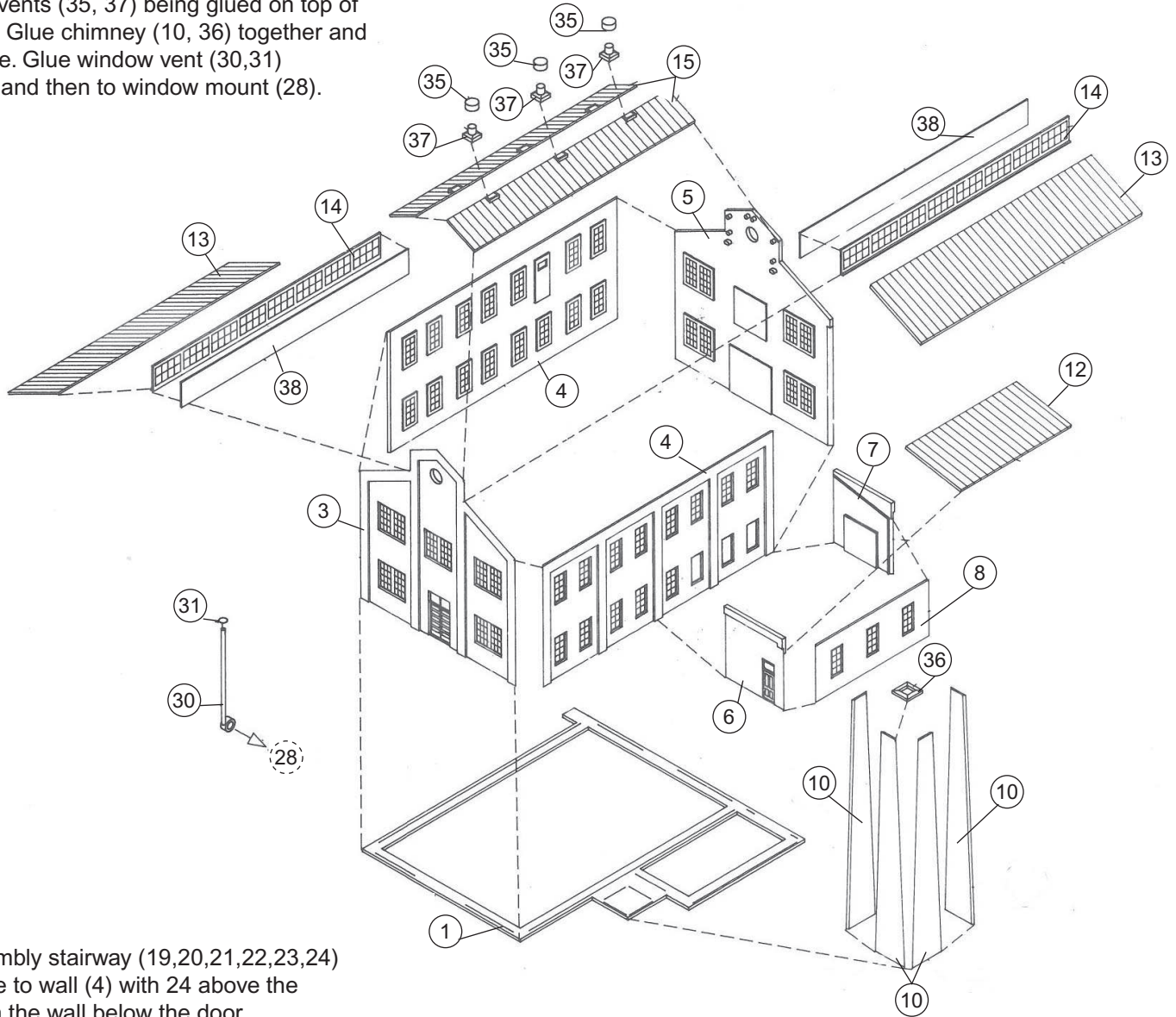
Vulcan Manufacturing Company is the perfect starting point for a larger operation, or use it right out of the box to model a small fabricator. Lifting and carrying steel is no problem, as a canopy and trusses are included to model an overhead crane. Loads of steel and scrap can be shipped using the Thrall 53' Gondolas.

To complete your new industry, with vehicles, scenery material and other accessories, ask your dealer, refer to our current HO Scale Reference Book or visit our Web-site at [waltherscornerstone.com](http://waltherscornerstone.com).

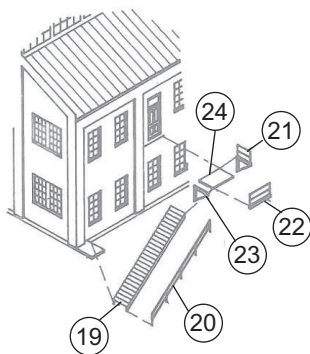
1. Start by gluing in windows (26, 27, 28) and doors (25, 32, 33) into their respective openings in the walls (3, 4, 5, 6, 7, 8, 9). Also, on this same wall, glue plug (11) below window in door opening as illustrated. On other 4 wall, use window vent mount (28) for one of the lower windows. Next, glue louvered vents (29) in place on wall inserts (5, 6). Then glue these inserts into the openings in the end walls (3). Glue "glass" (39, 40, 41) on the back of the windows and doors as illustrated. NOTE: Break one "glass" #41 in half, at the scribed line, and use as indicated.



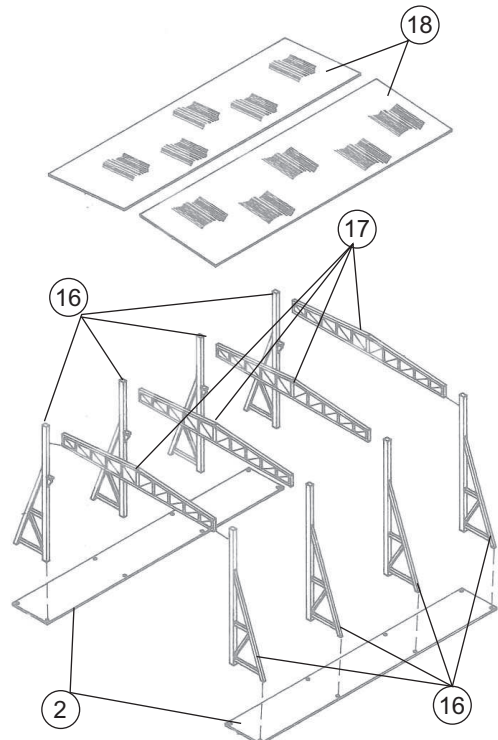
2. Glue the walls (4, 5, 6) to base (1), the #4 wall, with the plug and minus windows, on the side where the chimney will be located. Now, glue the boiler house walls (6, 7, 8) to the base and wall #4. Next, glue "glass" (38) to the inside of the clerestories (14) and, using the locator tabs on the end walls, glue in place between those walls. Then, glue on all roofs (12, 13, 15) with vents (35, 37) being glued on top of roof #15. Glue chimney (10, 36) together and onto base. Glue window vent (30,31) together and then to window mount (28).



3. Assembly stairway (19,20,21,22,23,24) and glue to wall (4) with 24 above the ridge on the wall below the door.



4. Glue vertical supports (16) to shed bases (2). Next, glue horizontal girders (17) to the vertical supports. Finish by gluing on the roof halves (18).



## DECALING

1. After cutting out the decal, dip in water for 10 seconds, remove and let stand for 1 minute. Slide decal onto surface, position and then blot off any excess water.
2. Lightly brush Micro Sol® on top. This will soften the decal allowing it to conform to irregular surfaces. DO NOT TOUCH DECAL while wet!
3. When the decal is thoroughly dry, check for any trapped air bubbles. Prick them with the point of a small pin or hobby knife blade and apply more Micro Sol®.