



N Structure Kit

WALTON AND SONS LUMBER

933-3235

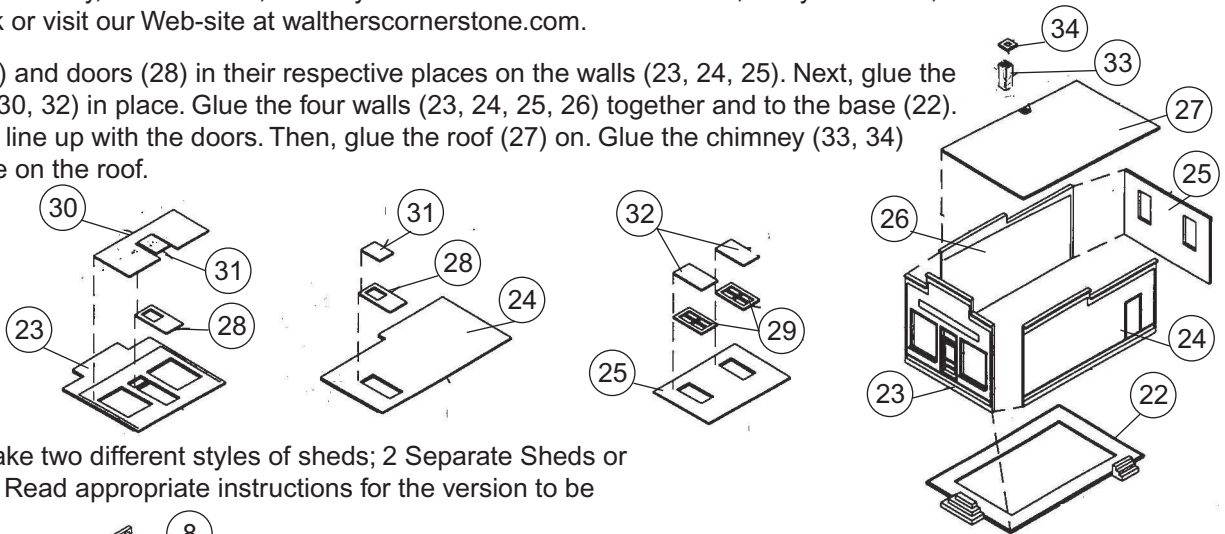
Thanks for purchasing this Cornerstone Series® kit. Please read the instructions and study the drawings before starting construction. All parts are made of styrene plastic, so use only compatible paints and glue.

The local lumberyard became a fixture in cities and towns wherever the tracks ran. To keep the lumber dry and reduce warping or swelling, it was stored under cover, in large sheds built especially for the purpose. When standardized material sizes were adopted, this also allowed for easy sorting.

Today, the small lumberyard has evolved into the building materials center. Railroads still carry much of the bulk lumber shipments, which are usually sent to regional distribution centers, then reloaded on trucks. Carrying everything from studs to kitchen cabinets, some also fabricate components, such as wall sections or roof trusses for local contractors.

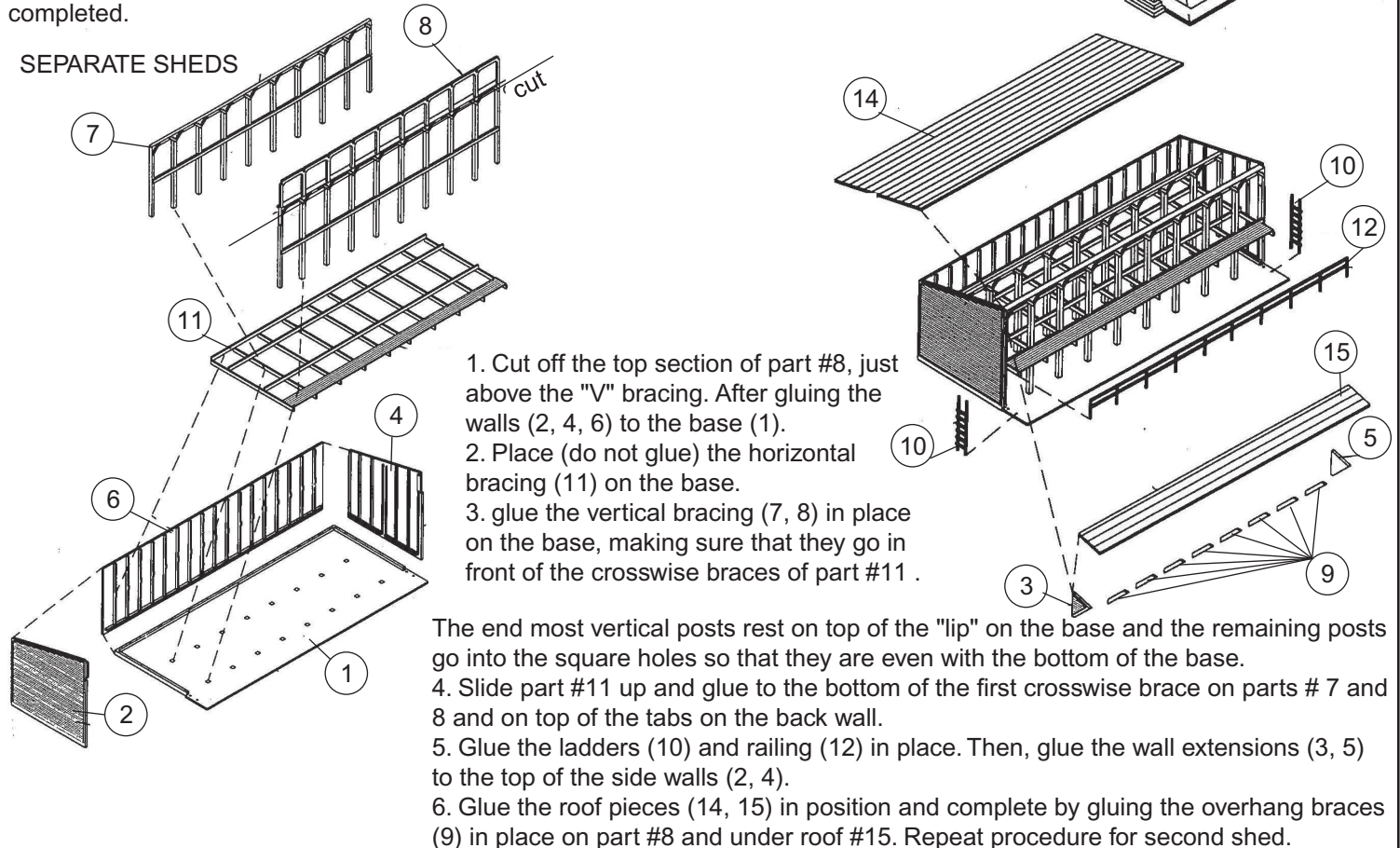
To complete your new industry, with vehicles, scenery material and other accessories, ask your dealer, refer to our current N&Z Scale Reference Book or visit our Web-site at waltherscornerstone.com.

1. Glue windows (29) and doors (28) in their respective places on the walls (23, 24, 25). Next, glue the window "glass" (21, 30, 32) in place. Glue the four walls (23, 24, 25, 26) together and to the base (22). Make sure the steps line up with the doors. Then, glue the roof (27) on. Glue the chimney (33, 34) together and in place on the roof.



NOTE: This kit can make two different styles of sheds; 2 Separate Sheds or 1 Single Large Shed. Read appropriate instructions for the version to be completed.

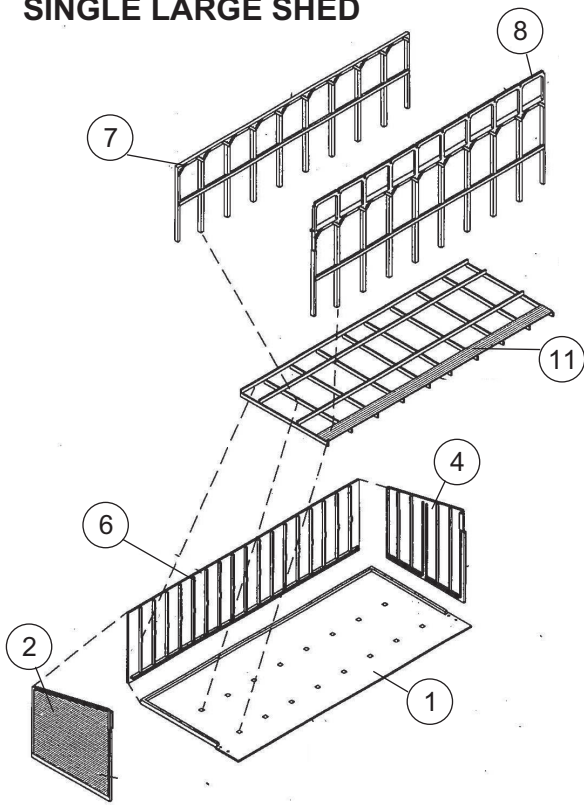
SEPARATE SHEDS



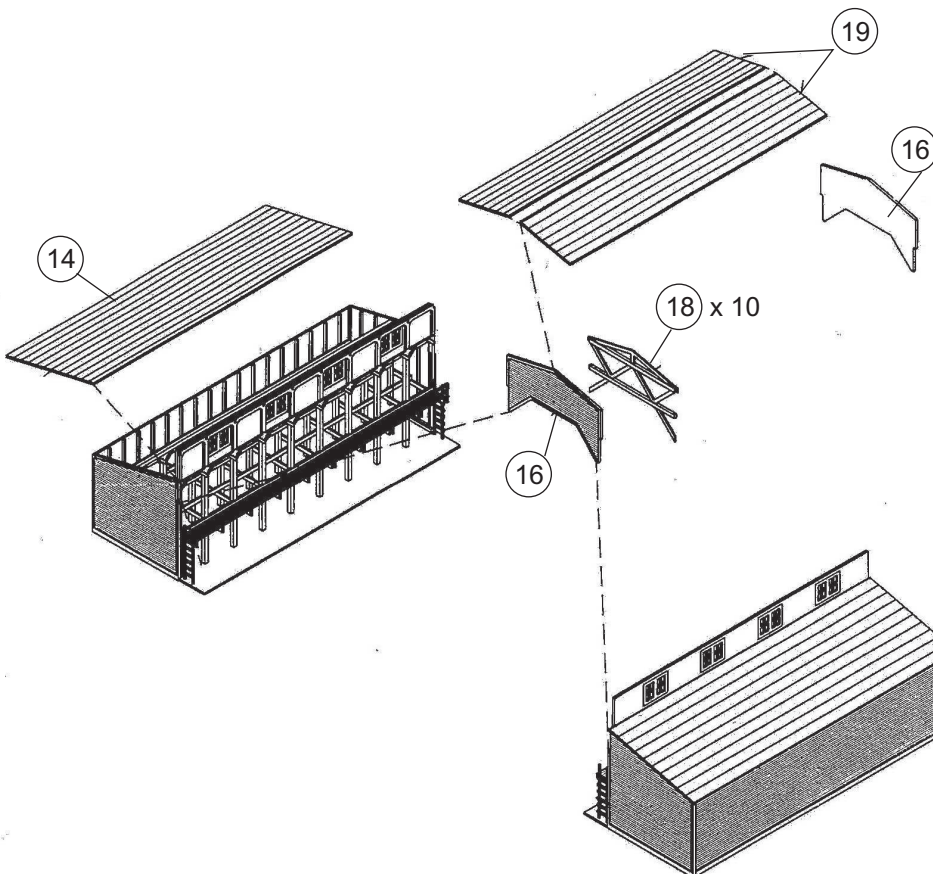
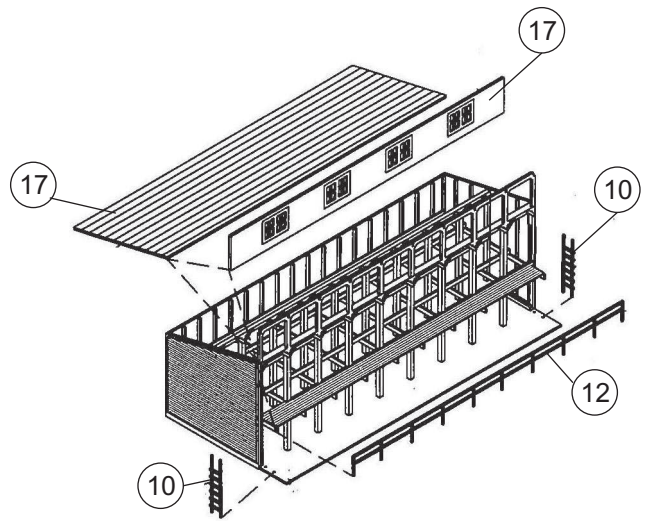
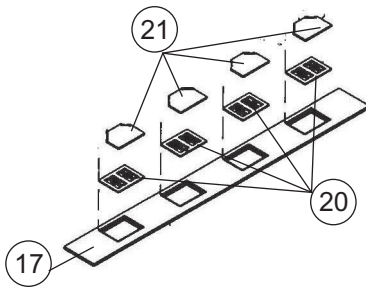
1. Cut off the top section of part #8, just above the "V" bracing. After gluing the walls (2, 4, 6) to the base (1).
2. Place (do not glue) the horizontal bracing (11) on the base.
3. glue the vertical bracing (7, 8) in place on the base, making sure that they go in front of the crosswise braces of part #11.

- The end most vertical posts rest on top of the "lip" on the base and the remaining posts go into the square holes so that they are even with the bottom of the base.
4. Slide part #11 up and glue to the bottom of the first crosswise brace on parts # 7 and 8 and on top of the tabs on the back wall.
 5. Glue the ladders (10) and railing (12) in place. Then, glue the wall extensions (3, 5) to the top of the side walls (2, 4).
 6. Glue the roof pieces (14, 15) in position and complete by gluing the overhang braces (9) in place on part #8 and under roof #15. Repeat procedure for second shed.

SINGLE LARGE SHED



1. Glue the walls (2, 4, 6) to the base (1).
2. Place (do not glue) the horizontal bracing (11) on the base.
3. Glue the vertical bracing (7, 8) in place on the base, making sure that they go in front of the crosswise braces of part #11. The end most vertical posts rest on top of the "lip" on the base and the remaining upright posts go into the square holes so that they are even with the bottom of the base.
4. Slide part #11 up and glue the bottom of the first crosswise brace on parts #7 and 8 and on top of the tabs on the back wall. Glue the ladders (10) and railing (12) in place. Glue the windows (20) and window "glass" (21) in place on clerestory wall (17) and glue this to the top and back of part #8. Repeat for second shed.
5. Glue the clerestory end walls (16) to both the ends of both sheds thereby, joining them into one.
6. Then, glue the clerestory braces (18) in place, one against each end and the others in the middle, using the notches and vertical ribs on part #8 to locate. Glue the roof pieces (14, 19) onto their respective places to finish.



DECALING

1. After cutting out the decal, dip in water for 10 seconds, remove and let stand for 1 minute. Slide decal onto surface, position and then blot off any excess water.
2. Lightly brush Micro Sol® on top. This will soften the decal allowing it to conform to irregular surfaces. DO NOT TOUCH DECAL while wet!
3. When the decal is thoroughly dry, check for any trapped air bubbles. Prick them with the point of a small pin or hobby knife blade and apply more Micro Sol®.