



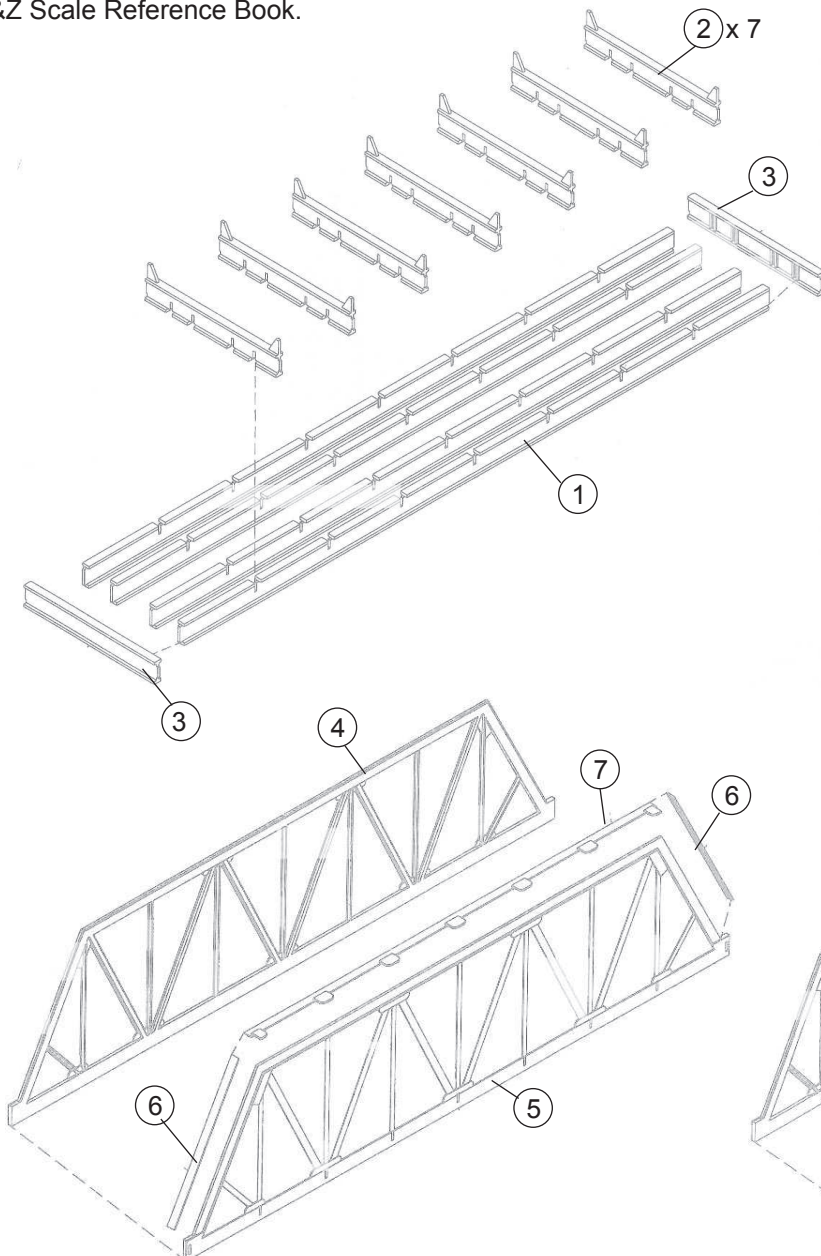
# N Scale Kit DOUBLE TRACK TRUSS BRIDGE 933-3242

Thanks for purchasing this Cornerstone Series® kit. Please read these instructions and study the drawings before starting. All parts are styrene, so use compatible glue and paint to assemble your model.

The truss type of bridge is among the most common used for railroad construction and has appeared in many forms. Bridges of this type feature a pair of frames arranged like a ladder, with roadway beams laid between them, on top of or beneath the bottom horizontal member. Diagonal members added to the framed structure create the truss and greatly increase the strength. Early designs date to the 1820's and all-wood construction was common for many decades. As trains and locomotives became heavier, cast iron parts were used with the wooden trusses. Wrought iron was later used for its added strength and with the development of the Bessemer process in 1855, steel bridges could be constructed. These steel bridges were capable of handling very heavy trains and were important to the growth of railroads throughout North America.

This N Scale model is based on a simple two-truss bridge that crosses the Wabash River at Lafayette, Indiana. Used by the Big Four and later the Nickel Plate and New York Central in the steam era, the bridge now serves the Norfolk Southern and remains in use, although converted to single track.

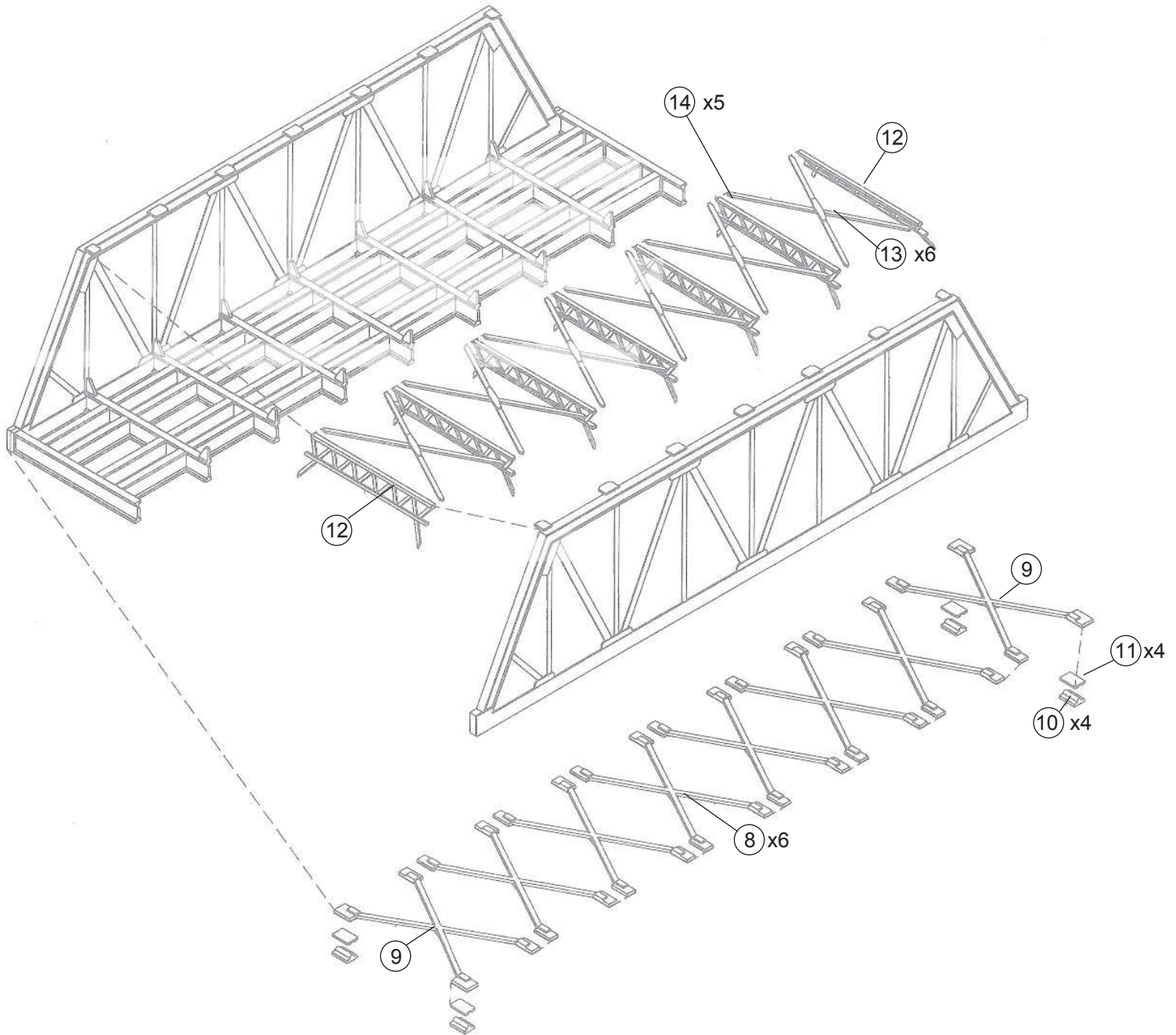
For more ideas and information, see your Dealer, visit our Web-site at [waltherscornerstone.com](http://waltherscornerstone.com) or refer to your current Walthers N&Z Scale Reference Book.



1. Start by gluing the cross girders (2) to the long girders (1). Then, glue the end cross girders (3) in place as shown.

2. Glue the side girder assemblies (4, 5, 6, 7) together. Note: the "tabs" on the top pieces (7) should face to the inside of the bridge, extending over parts #5.

3. Glue the side assemblies onto the deck and then glue the bottom cross braces (8,9) on, noting that the wide end pads on part #9 are glued to the ends of the bridge. To these pads, glue the top part of the "feet" (11). The bottom "feet" (10) are glued onto the bridge abutments or piers (not included). Next glue the end lattice pieces (12) and the middle lattice pieces (14) in place under the "tabs" and in the middle of the vertical beams of the side girder assemblies. Finish by gluing the top cross bracing (13) in place under the "tabs".



#### DECALING

1. After cutting out the decal, dip in water for 10 seconds, remove and let stand for 1 minute. Slide decal onto surface, position and then blot off any excess water.
2. Lightly brush Micro Sol® on top. This will soften the decal allowing it to conform to irregular surfaces. **DO NOT TOUCH DECAL while wet!**
3. When the decal is thoroughly dry, check for any trapped air bubbles. Prick them with the point of a small pin or hobby knife blade and apply more Micro Sol®.