



# N Structure Kit ICE HOUSE AND PLATFORM 933-3245

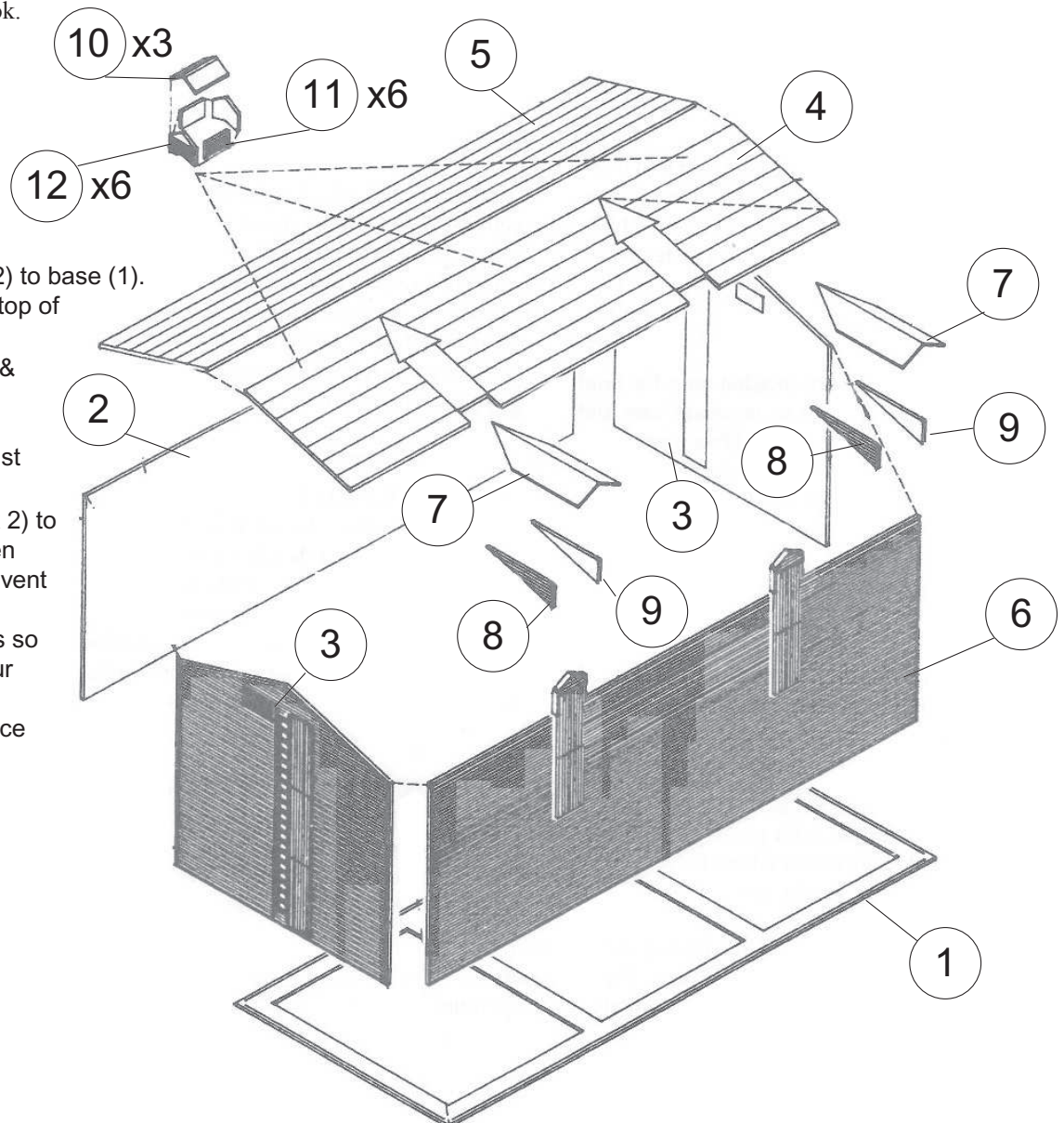
Thanks for purchasing this Cornerstone Series® kit. Please read these instructions and study the drawings before starting. All parts are styrene, so use compatible glue and paint to assemble your model.

For many decades, the ice house and platform were an integral part of larger freight yards. This kit is ideal for any era from the 1900s to the 1970s, when the last ice-cooled cars were retired. The facilities were typically located at the edge of a yard, where the train could be spotted and the engine removed for servicing. Others could be found at remote locations along busy stretches of the line, where a train would need to be serviced.

In operation, both wood and steel reefers could be found alongside the platform. Lease fleet cars were very common and several could be found in the same train. Your dealer can also supply cars decorated for breweries, dairies, fruit producers and other industries which used reefers.

In bigger cities, the local ice house and platform would service reefers for local shippers. Typical users would include meat-packing plants, cold storage plants, candy makers, fruit and vegetable packers or dairy plants. Empty reefers would be serviced at the icing platforms several hours before loading, so the car interior was at a desired temperature.

For more ideas to detail your scene, ask your dealer, visit our Web-site [waltherscornerstone.com](http://waltherscornerstone.com) or see the latest Walthers N&Z Scale Model Railroad Reference Book.



1. Glue the walls (2, 6 & 3x2) to base (1).  
2. Glue roof pieces (4, 5) to top of Wall/Base Structure.

3. Glue dormer walls (8 x 2 & 9 x 2) on roof as shown.

4. Glue dormer roof (7 x 2) over the dormer structure just assembled.

5. Glue vent end walls (12 x 2) to vent side walls (11 x 2). Then glue vent roof (10) to top of vent walls.

(Repeat this two more times so you will have 3 vents for your structure)

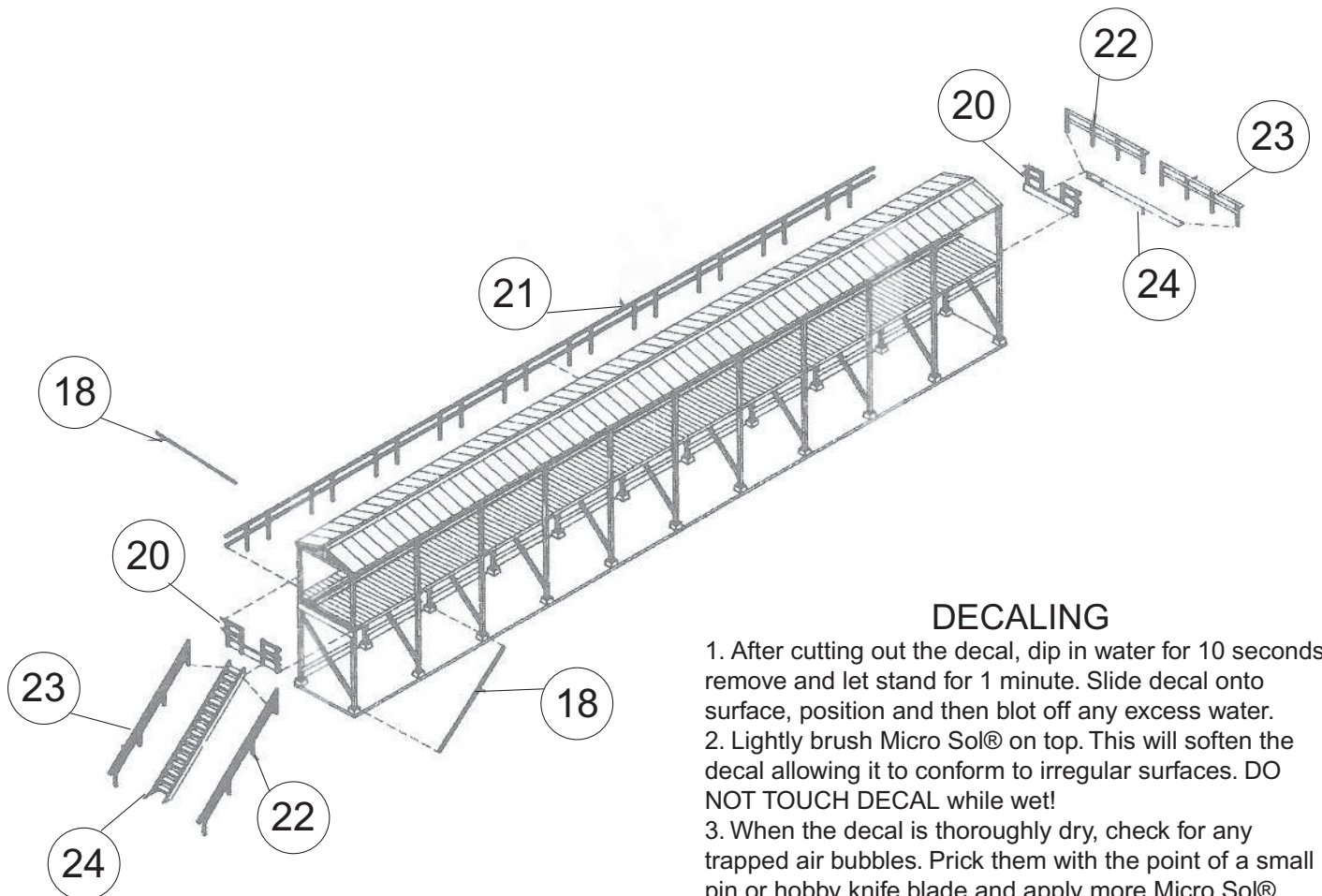
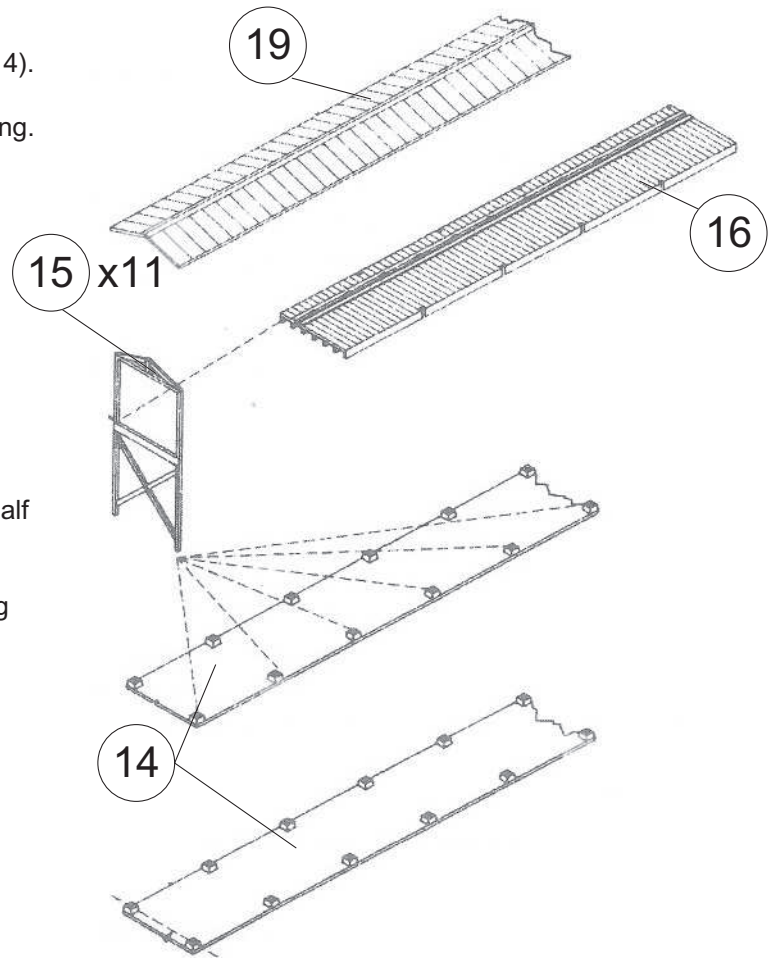
6. Glue roof vents to top of ice house roof as shown.

# Platforms

(There are enough parts in this kit to do two complete platforms)

1. Glue platform supports (15 x 11) to the platform base (14).
2. Slide platform floor (16) through the top opening in the platform supports (15). The platform floor is only half as long. This step will require 2 platform floors (16). Align the notches on the floor with the platform supports. Slide into place and glue.
3. Glue on platform roof (19).
4. Glue railing for platform (21 x 2) along the platform supports (See exploded view drawing).
5. Glue end railing (20) to one end of platform.
6. Glue steps to platform aligning with the opening on the end railings. (Hold for a few seconds so it is secure)
7. Glue step railings (22 & 23) to sides of steps.
8. Repeat steps 5 thru 7 for other end of platform.
9. Finally add support braces(18 x 20) along the bottom half of platform supports.

Ice blocks are included and can be placed anywhere along the platform you desire.



## DECALING

1. After cutting out the decal, dip in water for 10 seconds, remove and let stand for 1 minute. Slide decal onto surface, position and then blot off any excess water.
2. Lightly brush Micro Sol® on top. This will soften the decal allowing it to conform to irregular surfaces. DO NOT TOUCH DECAL while wet!
3. When the decal is thoroughly dry, check for any trapped air bubbles. Prick them with the point of a small pin or hobby knife blade and apply more Micro Sol®.