



HO Scale Structure Kit

ARGOSY BOOKSELLERS

933-3466

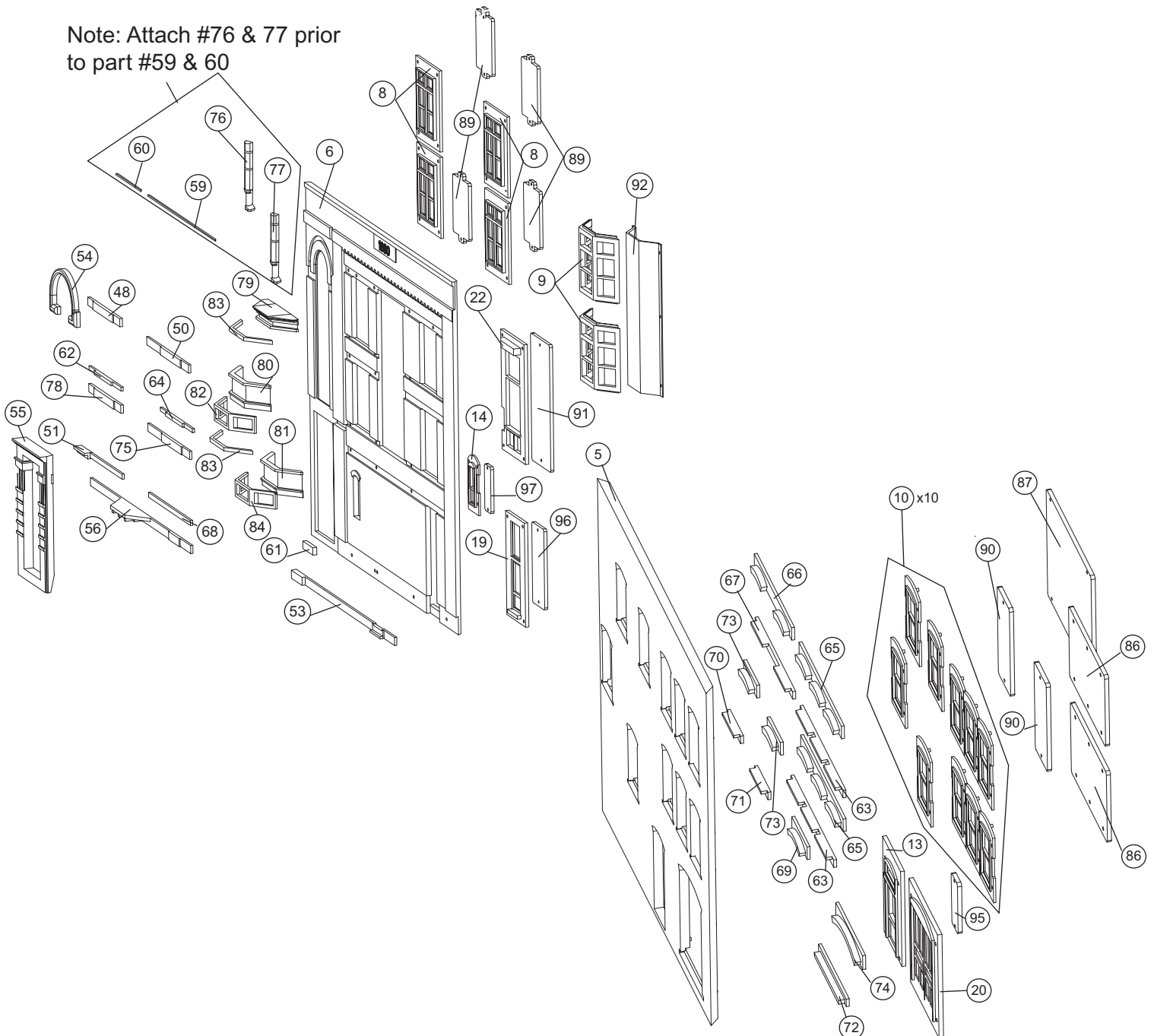
Thanks for purchasing this Cornerstone Series® kit. Please read all instructions and study the drawings before starting — directions for the interior graphics are printed directly on that sheet. All parts are styrene plastic, so use compatible glue. If you wish to decorate your model, use paints for plastic models. With appropriate details and signs, your finished model fits almost any era.

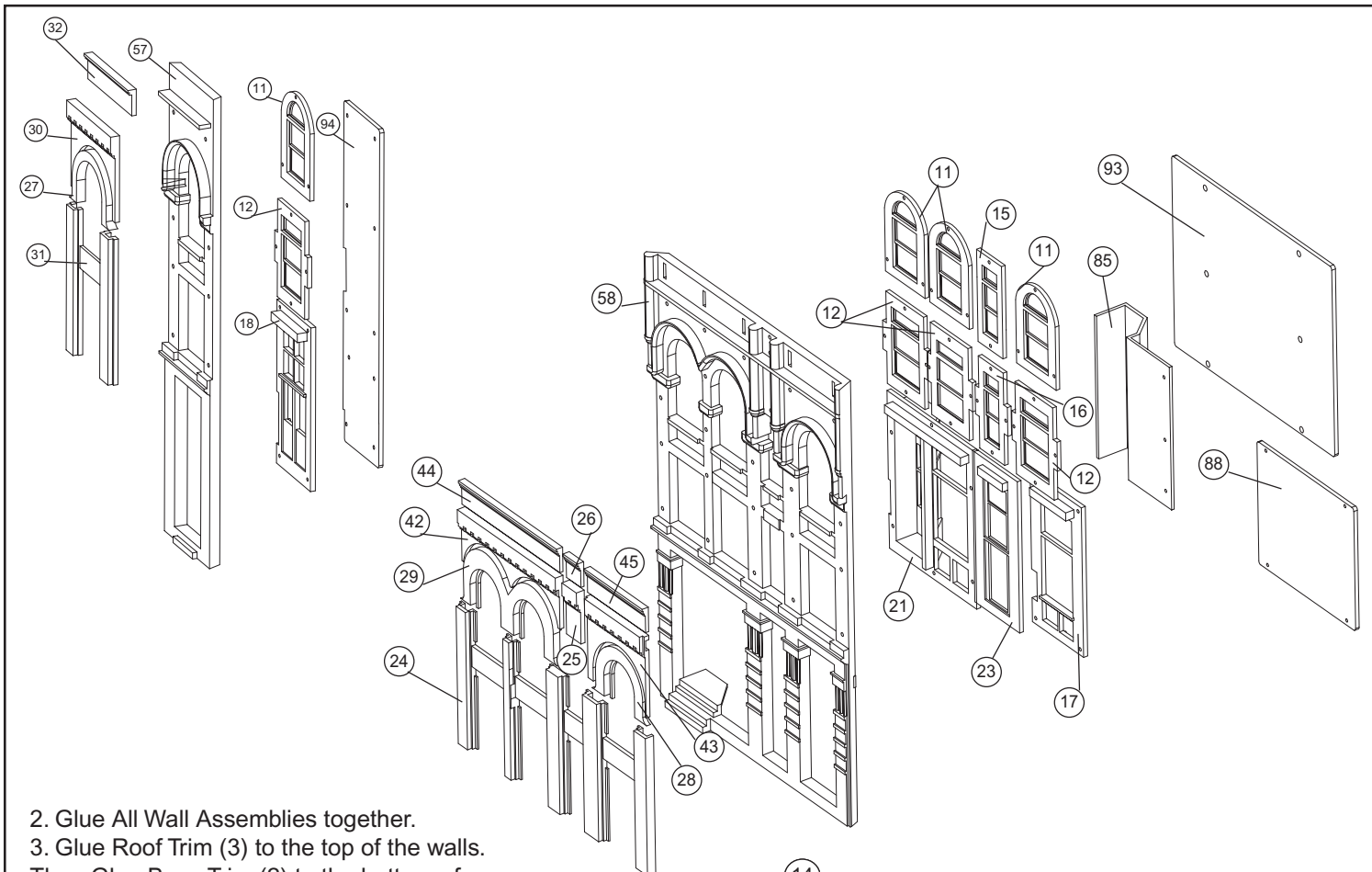
As education became increasingly important in the 19th century, more people learned to read and write, and bookstores became common in larger cities and many towns. The playing field began to change in the late 20th century, with the rise of major chains and the Internet both having a profound impact on how books and magazines were bought and sold. Today, chain bookstores can be found in or near malls in larger cities, stocking books on just about any subject imaginable, while independent shops are often located in revitalized business areas and specialize in used books, first editions, or specific subjects such as history.

For more Cornerstone Series® kits as well as additional details to complete your scene, see your hobby shop, check out the latest Walthers HO Model Railroad Reference Book and our Website at walthers.com.

1. Note: There are several detail parts included with this kit. Read and locate all parts and locations prior to assembling the walls. Glue Window, Door Frames and Wall Detail Parts to each Wall as shown. Glue Window Glass in place as shown. Interior windows can be added at this time (refer to printed interior sheet)

Note: Attach #76 & 77 prior to part #59 & 60



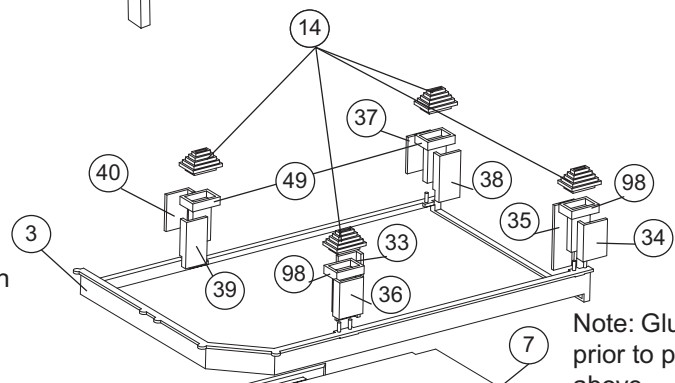


2. Glue All Wall Assemblies together.
 3. Glue Roof Trim (3) to the top of the walls.
 Then Glue Base Trim (2) to the bottom of structure.

4. Glue in Roof (7)
 5. Glue together Chimney parts ([40, 39, 49, 14], [37, 38, 49, 14], [34, 35, 98, 14] and [33, 36, 98, 14])

6. The Roof Trim has locator pins for each chimney. Glue each chimney into place.
 7. Glue Back Door Stairs (52) to locator pins on back of structure.

8. The finished structure can be set on the Base (1), which nests inside of the Base Trim (2) if you wish to add interior details at a later time, or glued in place to complete construction.



Note: Glue Part 3 to structure prior to part 7. See instruction above.

