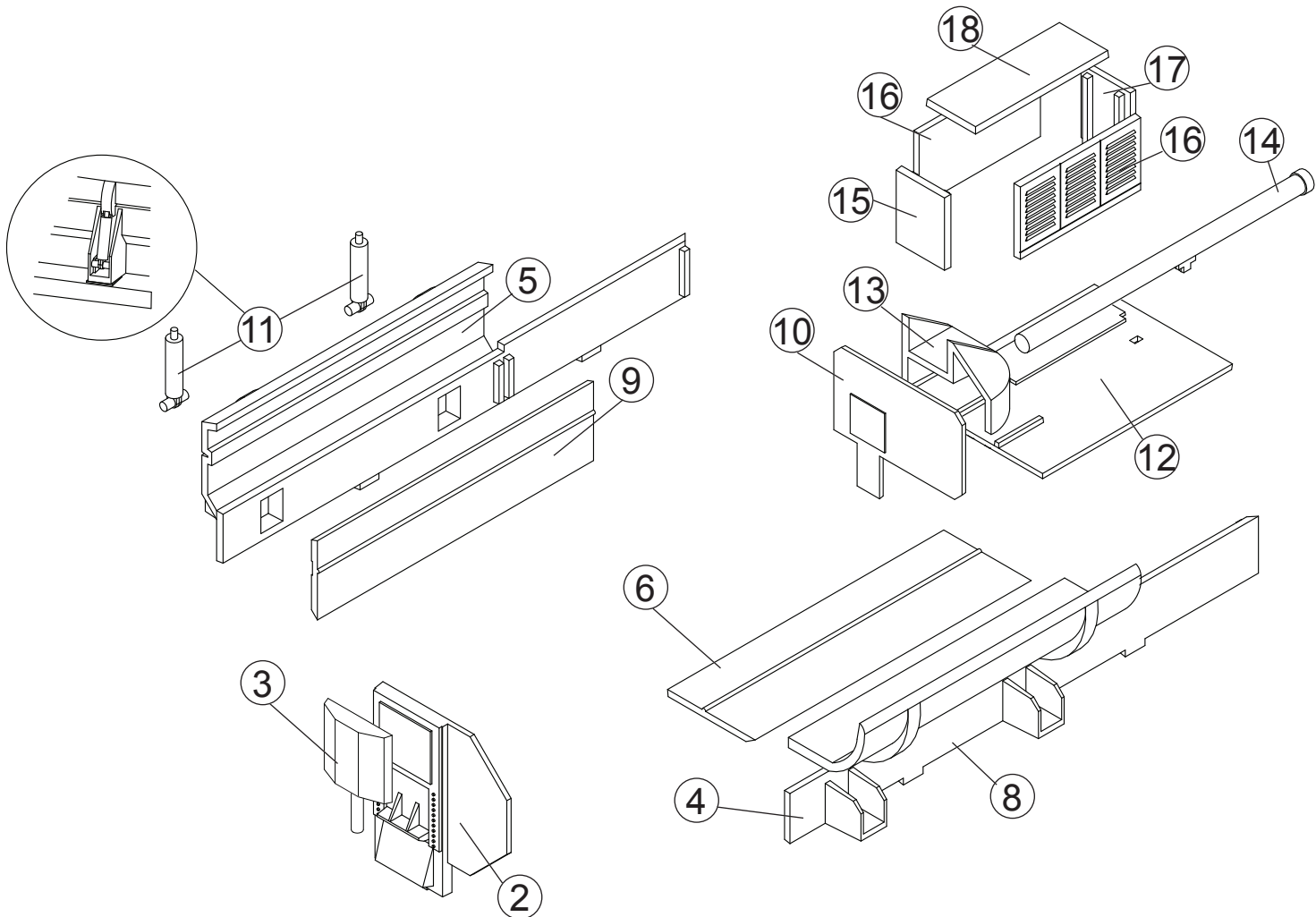




# HO Scale Structure Kit **HORIZONTAL BALER/LOGGER** #933-3631

Thanks for purchasing this Cornerstone Series® kit. All parts are styrene plastic so use appropriate paint and glue to complete your model. Please read the directions and study the drawings before starting assembly. The old sayings “everything old is new again” and “one man’s trash is another’s treasure” certainly applies to the salvage business. Today, the range of man-made materials being recycled into new products includes all kinds of metals, rubber, plastics, paper and more. Modern salvage operations not only collect these materials from local customers, they sort, shred, shape and ship them as raw materials to processing industries.

1. Glue Top Closing Cylinder (11) to Left Side of Baler Bed (5). Glue Inner Left Side of Baler (9) to Left Side of Baler Bed (5).
2. Glue Baler Door Shield and Piston (3) to top of Baler Head Body (2).
3. Glue Baler Bed Right Side (4), Bed Back (7), sub assemblies (2, 3) and (5, 9, 11) to Base (1). Back Wall (10) is added next.
4. Glue Machinery Platform (12) to assembly from Step 3. Glue Machinery Box parts (15, 16, 17, 18) together, then to Platform 12. Do the same for the Pusher Housing (13) and Ram Cylinder (14).
5. Add Baler Box Right Side (8) to the assembly from Step 4. Finish by gluing Baler Box Floor (6) to the inside of parts 8 and 9.



6. Glue the assemblies for the Baler Bed to the Base (1). Glue Baler Bed Back (7) to end of Baler Bed Assembly.
7. Finally Glue Baler Head and Machinery Platform to Base (1).

