



# HO Scale Accessories Kit

## SUBWAY ENTRANCE

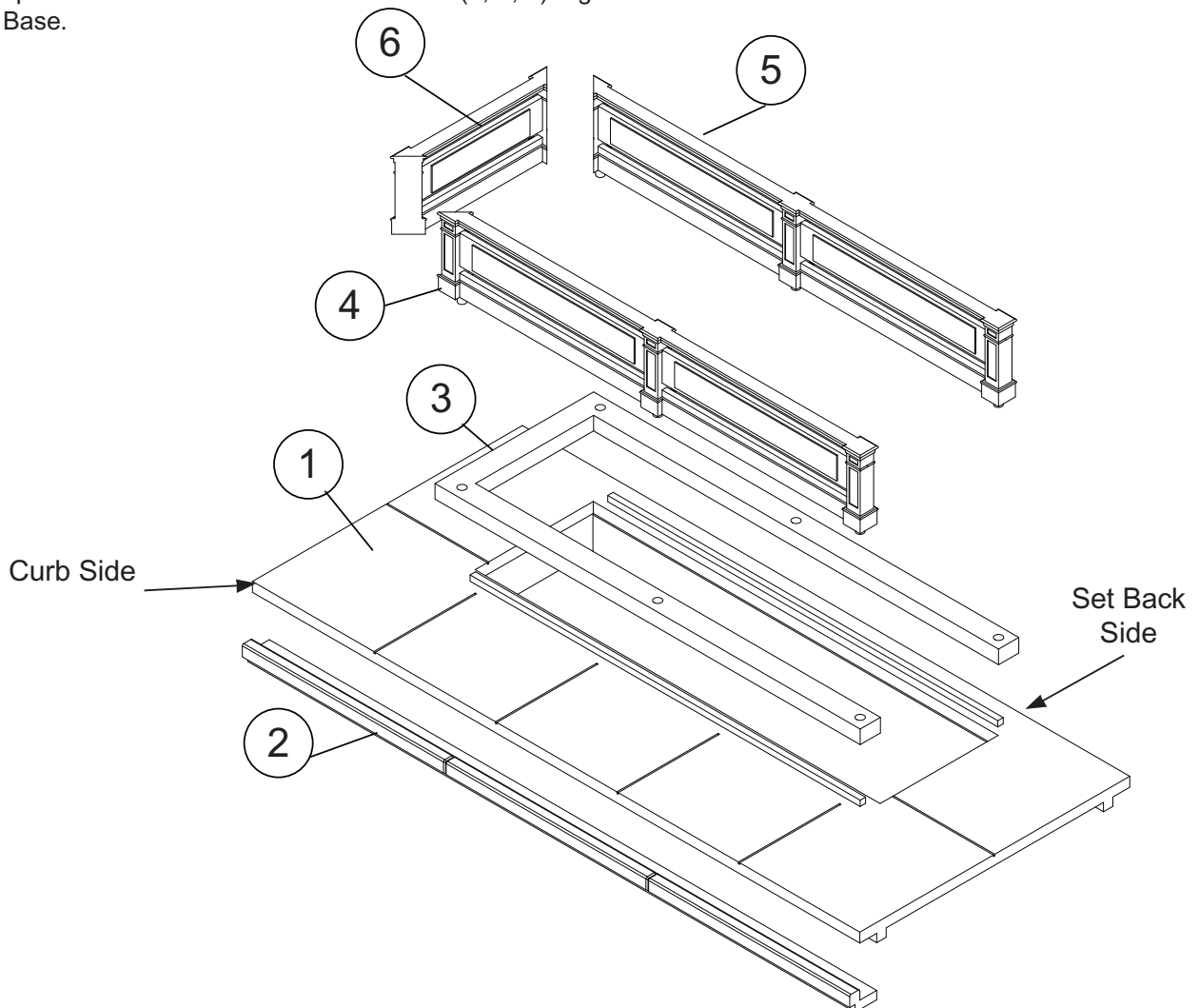
# 933-3762

Thanks for purchasing this Cornerstone Series® kit. All parts are styrene so use compatible paint and glue to finish your model. Please read the instructions and study the drawings before starting construction.

Traffic congestion is nothing new. The first subway began operating in London in 1863 in an effort to reduce the number of people walking or riding between the city's major railroad stations. A few decades later, American cities experienced tremendous population growth, taxing overloaded street systems to the breaking point. To provide alternate means of getting around, technology from surface and elevated railways was adapted to underground subways, which soon became a fixture of cities around the world. Where stations were located below ground, a new wrinkle emerged in how to get large numbers of people to and from the trains. Special entryways were constructed in the sidewalks with large staircases or escalators leading to the platforms. Still in use today, the opening is protected on three sides by a short fence, and for safety and security, lights are provided; some systems, notably New York, also used colored lamps to indicate if a station is open or closed. Roofs have also been added in recent years to provide additional protection.

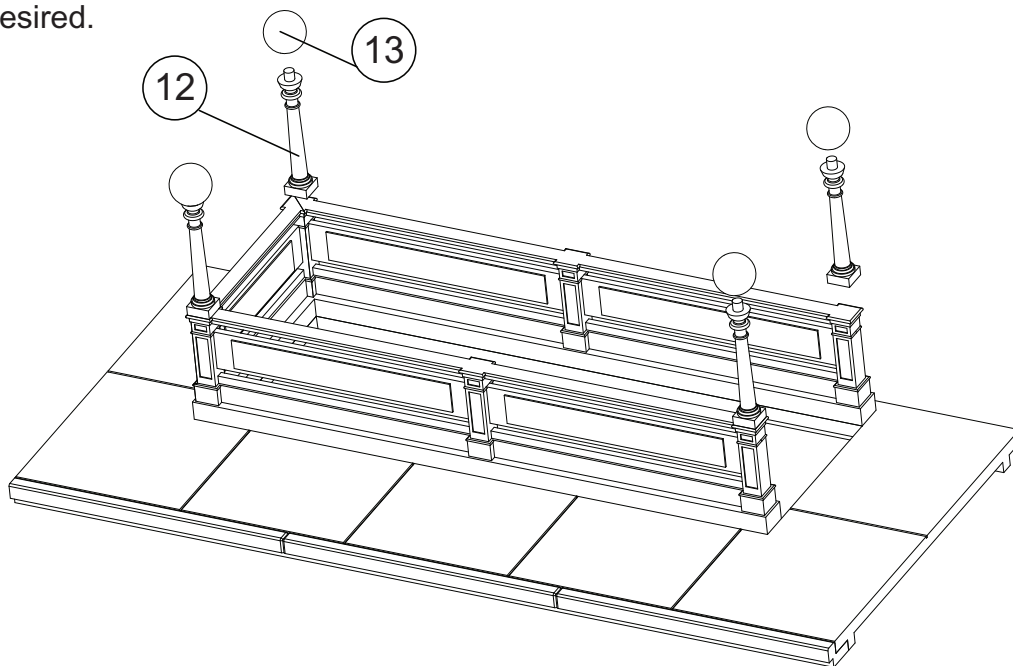
This kit is designed for use with Cornerstone Street System Components and can be added to new or existing scenery. Parts for several variations are included, so study the drawings and read the instructions before starting assembly. The kit includes parts for two complete entrances, along with self-stick signs and mounting panels, as well as an underground stairway that can be added to customize your model.

1) Before starting please note the Curb (2) can be placed on either side of the Sidewalk (1) to determine the setback location. The Fence Base (3) can be installed on either side of the opening to model your choice of a left- or right-hand entryway – the drawing shows a right-hand entry. Glue Fence Base (3) in place as desired. Glue Fence Sections (4, 5, 6) together and to the Fence Base.



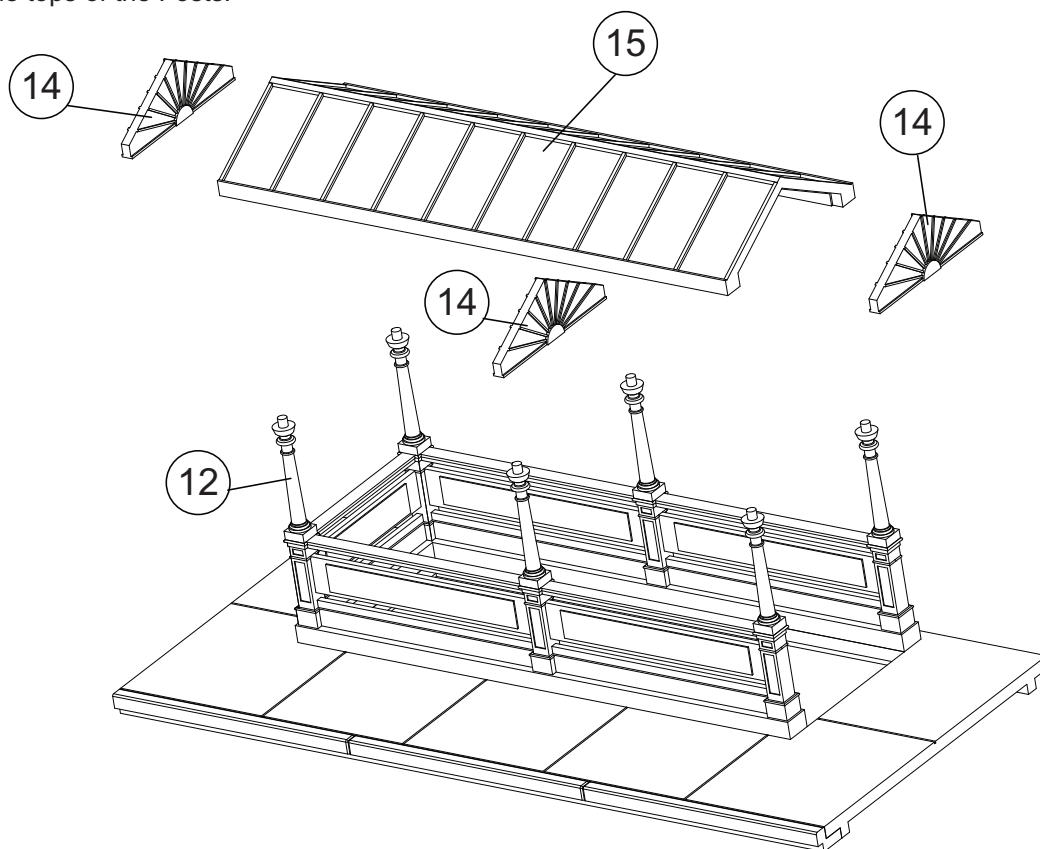
### Open Entrance Option Assembly

Add Lamp Posts (4x #12 as shown) and Globes (13) as indicated or desired.



### Covered Entrance Option Assembly

Add Lamp Posts (6x #12). Then glue Trim Sections (14) to the center recess, and ends, of clear Roof (15). Add the assembly to the tops of the Posts.

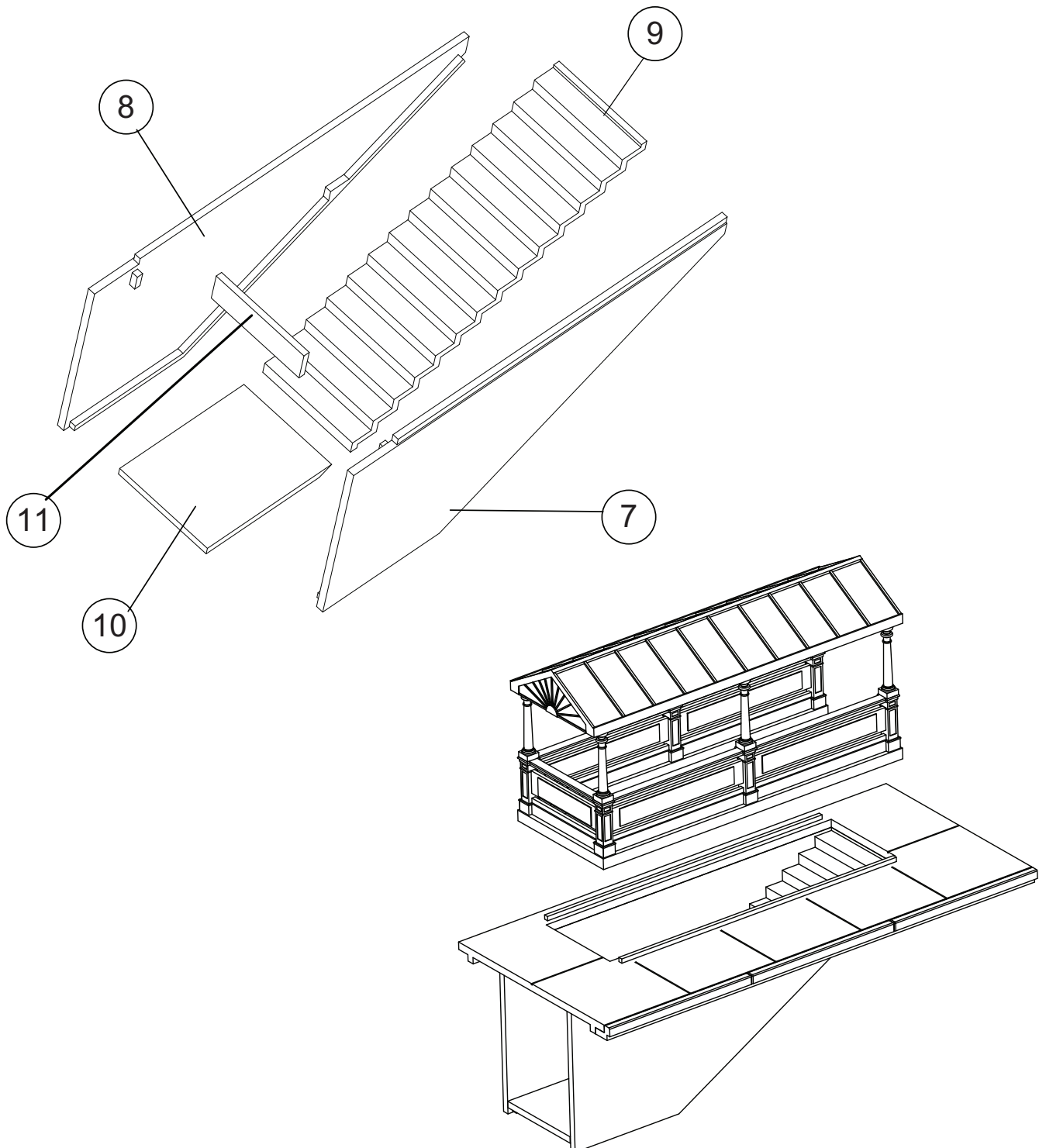


Using the Sidewalk section (1), At least 1-3/8" (3.4 cm) of free space under the layout (measured from the layout top surface), is required to install the Recessed Stairwell. A template is provided (See back page) to accurately locate the cut hole when using Cornerstone Street System components. Carefully cut out the template, and the area inside marked "remove" with a fresh knife blade and straightedge. Top side of template covers Setback Left Hand entry and Street Side Right Hand entry installations. Flip the template over for Setback Right Hand entry and Street Side Left Hand entry installations. Place the template in the exact position where the sidewalk piece will be installed. If using Street System components, the template fits flush against the edge of the street panels. Also note which end is "top" of the stairs. This will never change - even if you flip the template! Carefully trace the template inner cut out with a marker onto the layout surface, remove the template, and cut the hole into the layout.

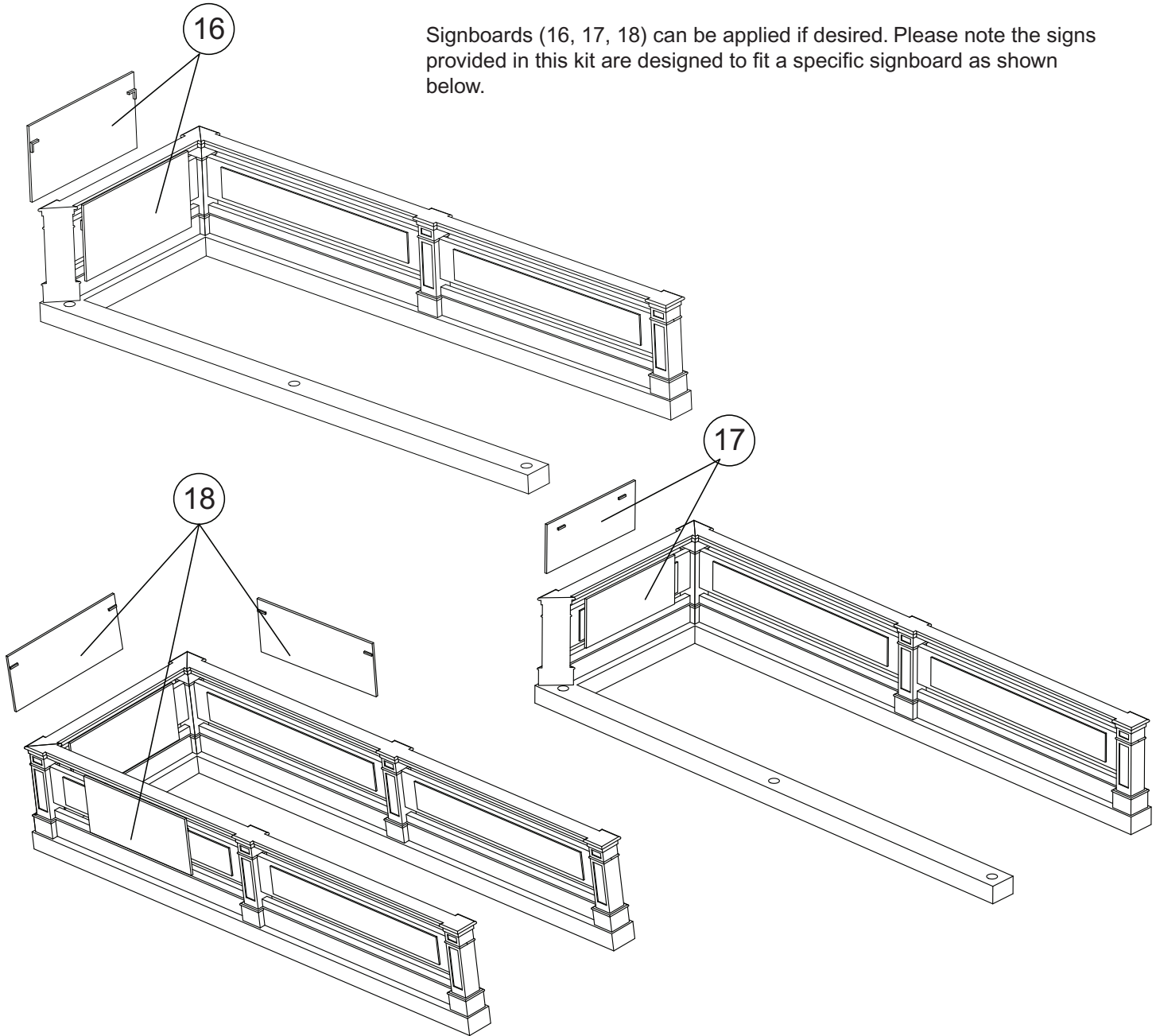
1) Study the assembled Stairwell view, noting the alignment of each piece. Glue Landing (10) flush with edge of Wall (8). Add Staircase (9), Portal Wall (11) and Wall (7) into place as shown.

A small 1 inch square mirror (not included - available at craft stores) can be added to the Stairwell Assembly to reflect light and suggest the subway continues on. A quality tape or silicone adhesive can be used to secure the mirror. Note: The Stairwell cut hole will need adjustment to accommodate the mirror if added.

2) Glue the Stairwell Assembly, the Sidewalk, and the Entrance Assembly together, and add to the layout.

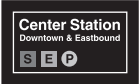


Signboards (16, 17, 18) can be applied if desired. Please note the signs provided in this kit are designed to fit a specific signboard as shown below.



**SIGN SAMPLES AND PART LOCATIONS**

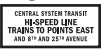
Sign for Part #16



Sign for Part #18



Sign for Part #17



Signs for Part #11



Sign for Part #4, 5, 6

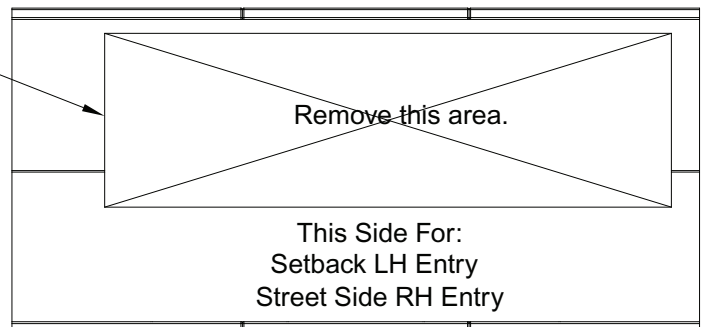


Sign for Part #4 & 5



**Subway Stairwell Cutting Template**

The top of the stairs should always be on this edge



Flip Template over for:  
Setback RH Entry  
Street Side LH Entry