



HO Structure Kit

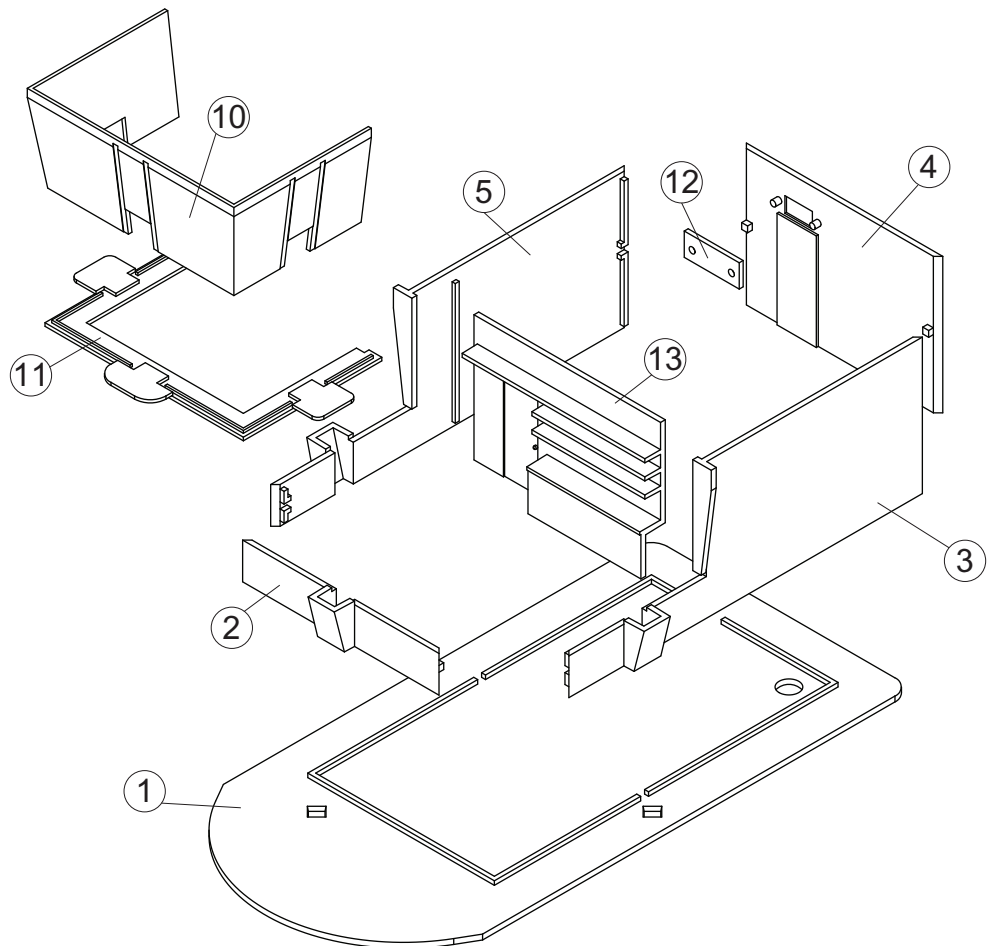
HOLE-IN-ONE DONUT SHOP

933-3768

Thanks for purchasing this Cornerstone® kit. All parts are styrene plastic, so use compatible glue and paint to complete your model. Please read the directions and study the drawings before starting.

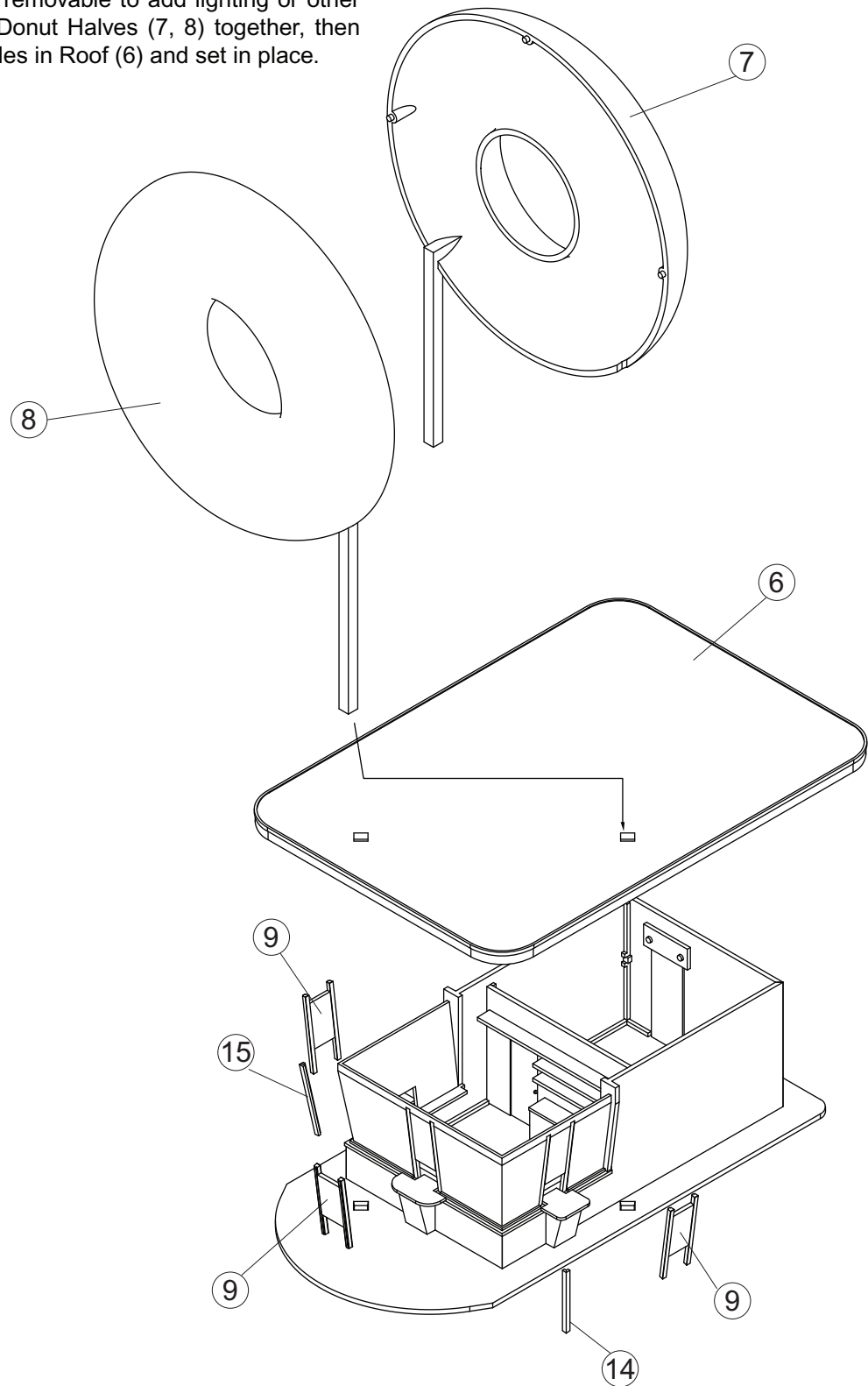
Praised in song and story, a must-have at countless coffee breaks, the humble donut has been winning fans worldwide for centuries. Originating in the Middle East, the tasty treats migrated slowly across Europe, probably coming to the Americas with Dutch settlers as deep-fried "oily cakes." Like many ethnic foods however, they weren't well known outside major cities until WWI, when millions of the portable snacks were served up to servicemen far and near. As demand skyrocketed, donuts rolled out of the kitchen and onto the assembly line with the arrival of the first automated donut-making machine in 1920. Producing a lighter, less oily product, the fascinating movement, affordable price and irresistible smell drew crowds, leading to the rise of full-time donut shops. A staple of the Depression and war years, donut shops joined the migration from downtown to the suburbs. These new structures shared much of their design and operation with drive-ins, including walk-up windows and parking. Many also borrowed a page from gas stations of the day, employing brilliant color schemes and lighting, along with enormous novelty signs in the shape of donuts that could be seen for miles by approaching traffic. Your new model is typical of these shops, which first appeared in the 1950s and are still serving donuts today. For additional ideas to detail your model check out the current Walthers HO model Railroad Reference Book or visit walthers.com.

1. Glue Walls (2, 3, 4, 5,13) together and to Base (1) using raised guides for alignment. Fit the back edge of Counter (11) to the notches in Side Walls (3, 5) and glue in place to Walls (1, 3, 5).
2. To avoid damage to the glass parts in these steps, you may wish to install them with a water-based adhesive, sold separately. Place the Front Glass (10) behind the raised lines on the Counter, and carefully glue in place. Glue back Wall Glass (12) to opening in Back Wall (4).



3. Note the angled edge of Window Frames (14, 15) is the top; carefully glue in place on Front Glass. Note the circular feature on one side of the Middle Window Frames (9); make sure this circular area is against the Front Glass and carefully glue in place.

4. If you wish to leave the roof removable to add lighting or other details (sold separately), glue Donut Halves (7, 8) together, then insert support posts through holes in Roof (6) and set in place.



DECALING

1. After cutting out the decal, dip in water for 10 seconds, remove and let stand for 1 minute. Slide decal onto surface, position and then blot off any excess water.
2. Lightly brush Micro Sol® on top. This will soften the decal allowing it to conform to irregular surfaces. DO NOT TOUCH DECAL while wet!
3. When the decal is thoroughly dry, check for any trapped air bubbles. Prick them with the point of a small pin or hobby knife blade and apply more Micro Sol®.