



HO Structure Kit NEWSSTANDS

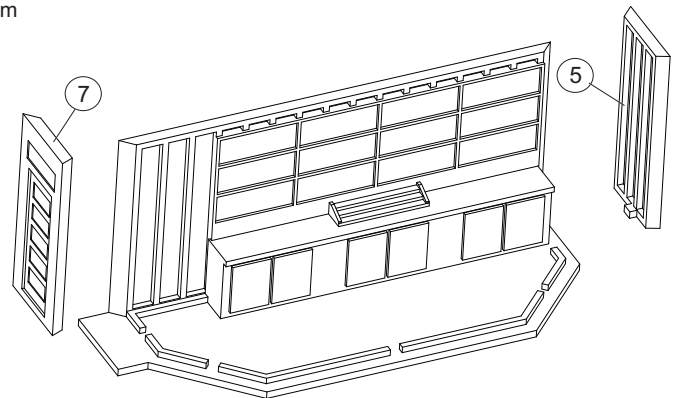
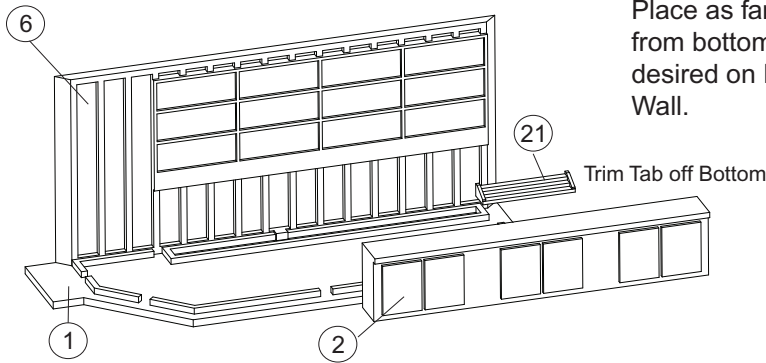
933-3773

Thanks for purchasing this Cornerstone kit! Parts for two complete buildings are included, along with printed graphics to finish each structure so please read the directions and study the drawings before starting. All parts are styrene, so use compatible glue and paint.

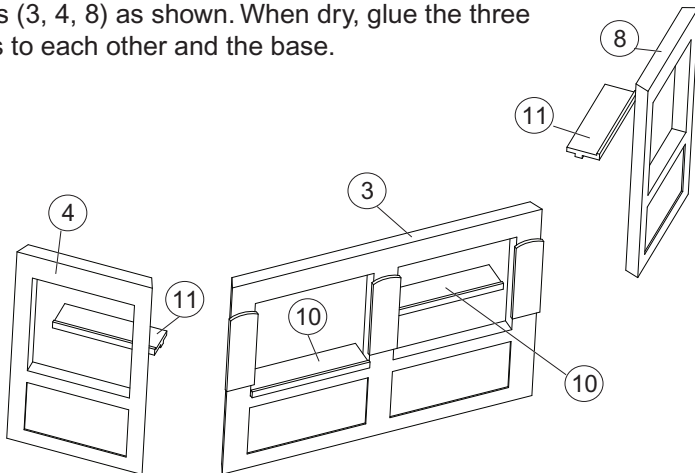
Long before the Internet and instant messaging, folks relied on daily newspapers to stay informed about current events. Enterprising newsboys roamed their territories calling out headlines to drum up sales, but older retailers staked out the best locations near railroad and bus stations, and set up shop in open-air newsstands. Many were also operated under contract directly inside major station buildings, usually in the main concourse area. In addition to morning and afternoon papers printed locally and in nearby cities, along with occasional breaking news or "extra" editions, most also sold weekly and monthly magazines of all kinds, cigarettes, candy and other sundries that helped commuters pass the time on their daily travels. During the rush hours, these locations became some of the busiest retail establishments in town, and were a common site into the 1980s in some areas.

We recommend painting parts and applying graphics before final assembly, since some areas become inaccessible. Be sure to remove paint from all gluing surfaces. Trim each art piece with a sharp hobby knife and ruler. Brush water-based glue on the backside of each graphic, and apply to the model. Placement suggestions are provided.

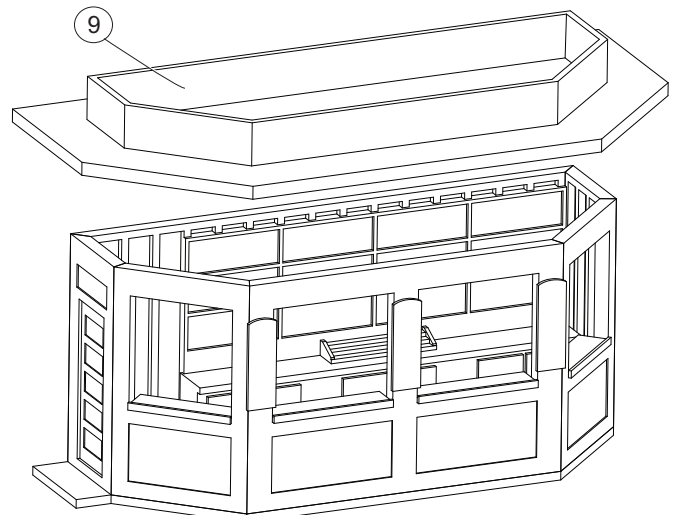
1) Glue Rear Wall (6) to Base (1). Add Back Counter (2) next. Place as far left as possible to clear the side wall. Trim mounting tab from bottom of Candy Counter Display Rack (21) and place as desired on Back Counter. Glue Side Walls (5,7) to Base and Back Wall.



2) Install Counter Tops (10, 11) from the inside of the Walls (3, 4, 8) as shown. When dry, glue the three walls to each other and the base.



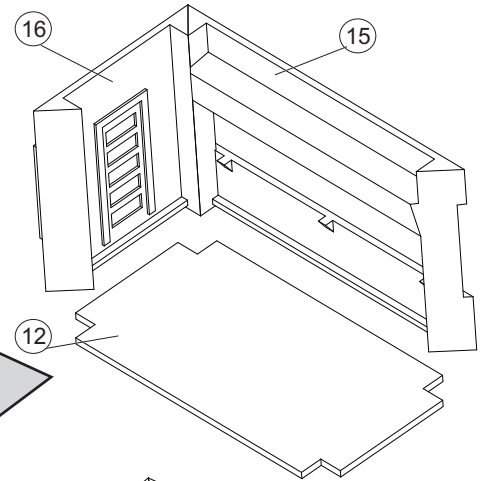
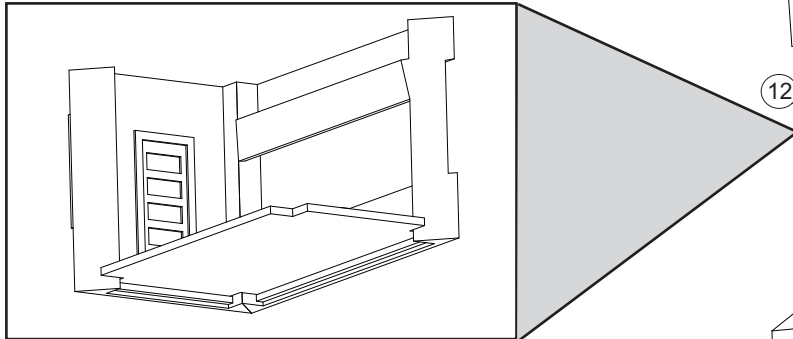
Add Magazines to bottom of roof before final assembly (See photo on back page)



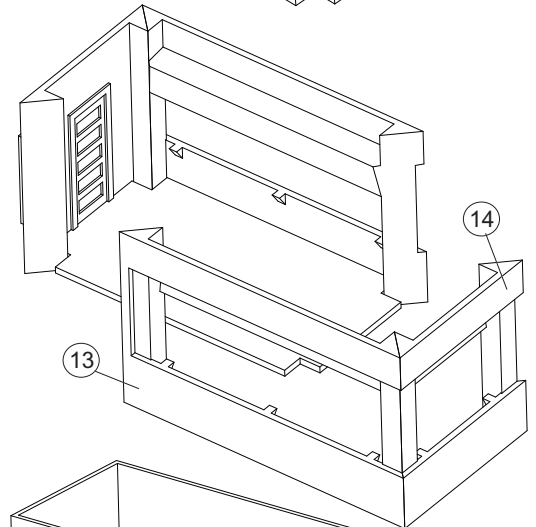
3) See Photo on Back for Suggested Graphic Placement
Cut out Angled Magazine cluster, and glue on underside of Roof (9) using Water Based glue or Super Glue.
Add Roof (9) to the assembly from Step 2 to complete the kit.

PLEASE NOTE: Label Parts 13 & 15 before removing them from sprue. The parts look similar but are not interchangeable. It's also easy to flip them upside down in error.

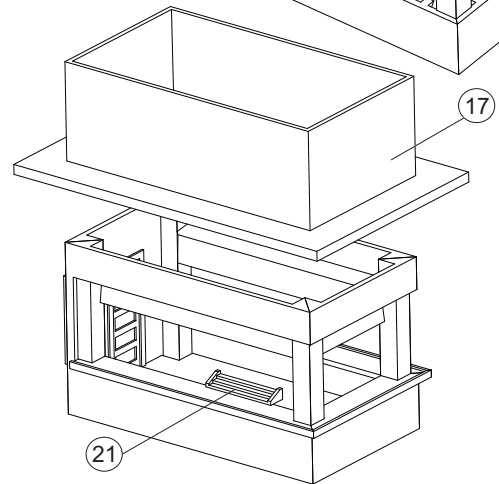
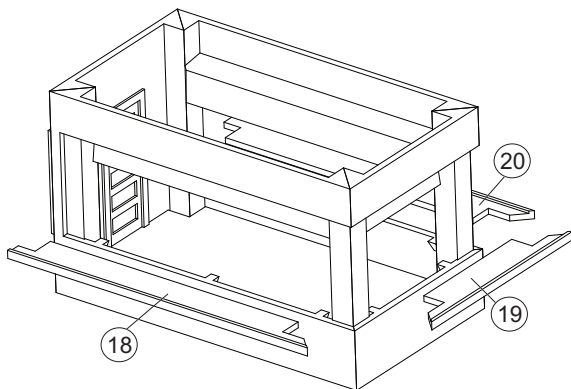
1) Create one "L" shaped assembly by gluing End Wall (16) and Side Wall (15) together, using the Floor (12) to aid alignment. Note the rib at the bottom of each Wall - the Floor must be glued on top of the rib, not below it. (See the inset illustration below)



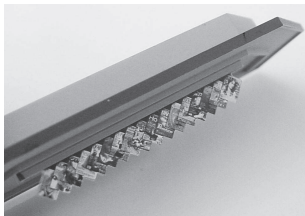
2) Glue Wall Sections 13, 14 to the assembly from Step 1.



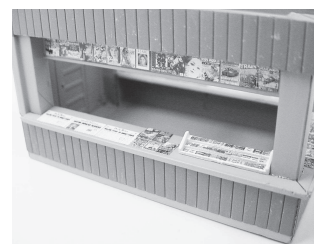
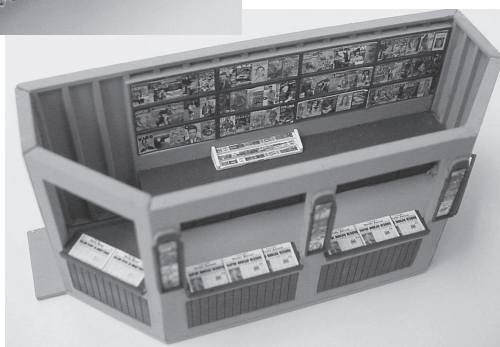
3) Add Counter Tops (18, 19, 20) to each Wall section, making sure the Lip faces up. Candy Racks (21) are glued into the slots on the Counter Tops. For variation, the slots can be covered with graphics, and the Racks placed elsewhere. Be sure to trim the tab off the bottom of the Candy Rack before using it elsewhere. Add Roof (17) to complete the kit.



GRAPHIC PLACEMENT SUGGESTIONS



Angled



Square

