



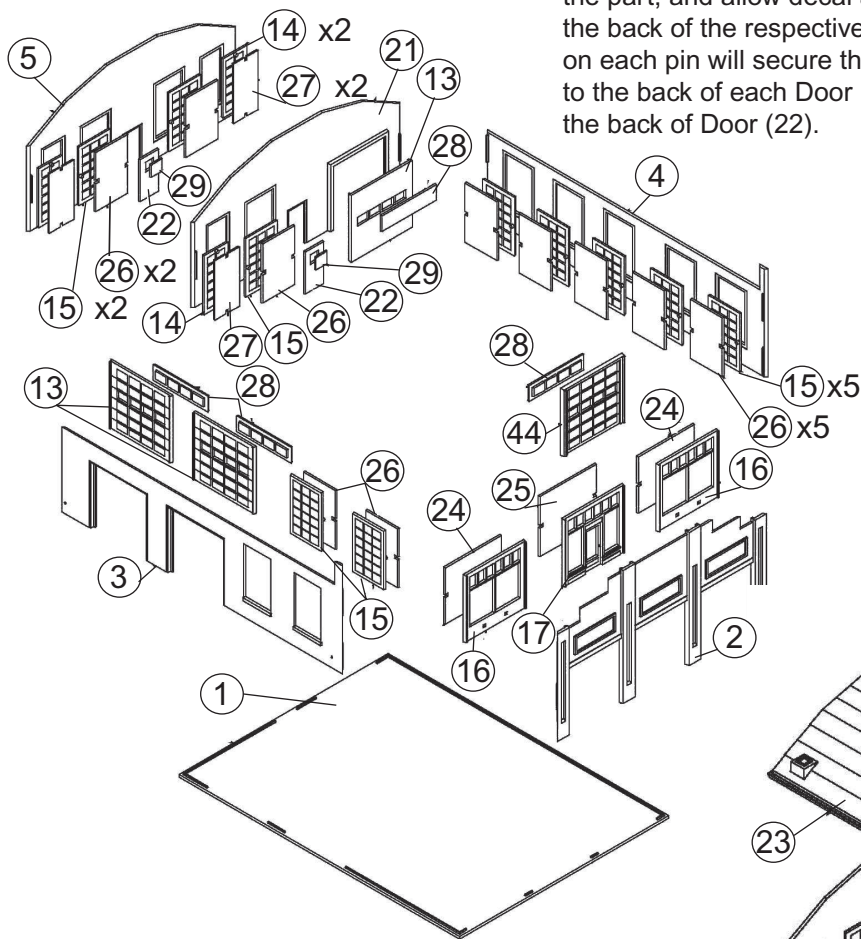
# HO Structure Kit IMPORT MOTORS

933-4023

Thanks for purchasing this Cornerstone Series® kit. Please read these instructions and study the drawings before starting. All parts are styrene, so use compatible glue and paint to assemble your model. NOTE: Optional parts are included; there are two different rear walls, and the large windows and doors for the front wall are interchangeable so they can be installed as desired.

In the early 1900s, America was becoming fascinated with automobiles, and not just those made and sold locally. Over the next few decades a trickle of foreign-made cars were imported by affluent buyers, but keeping them running was another story. That situation changed markedly starting in the mid-1950s. While Detroit had little to fear at the time, the larger variety of small and sporty designs built by European and Japanese firms were attracting loyal fans among US servicemen who had driven them while stationed overseas. Hotrod and racing enthusiasts also found a lot to like in high-performance imports too. Detroit ruled its dealerships with an iron fist in those days so independent garages often became dealers and service centers for imports. In the years following the oil embargo of 1973, imports made major advances in the US auto market; many becoming affiliated with US automakers before later establishing their own brand and dealership network. While the old-fashioned garage gave way to the modern service center, the buildings were often reworked and reused by similar businesses.

1) Start by carefully removing the vertical post in the center of Large Window (16) and directly above the Entrance Door (17). This will change the look of the part, and allow decal application later. Snap "Glass" (24, 25, 26, 27) to the back of the respective Window Frames (14, 15, 16, 17). A drop of glue on each pin will secure them in place. Glue the Overhead Door "Glass" (28) to the back of each Door (13, 44). Then glue the Small Door "Glass" (29) to the back of Door (22).

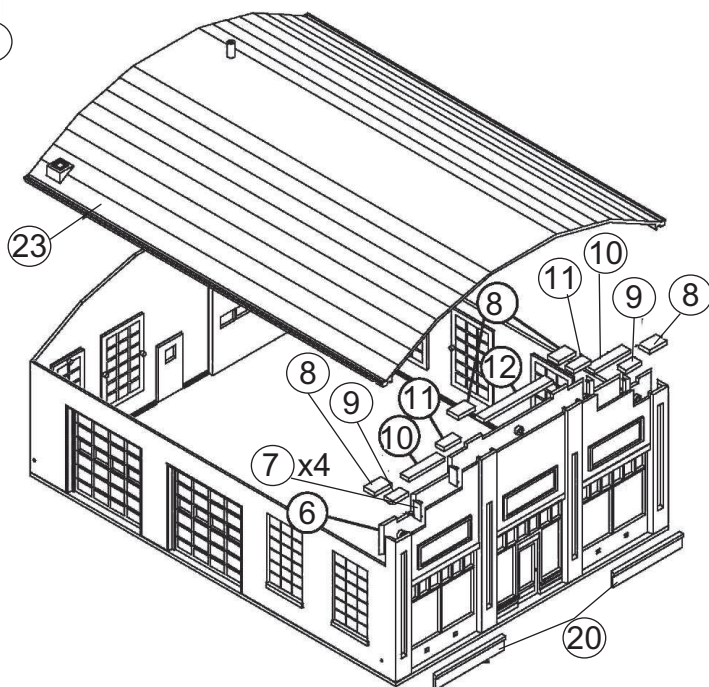


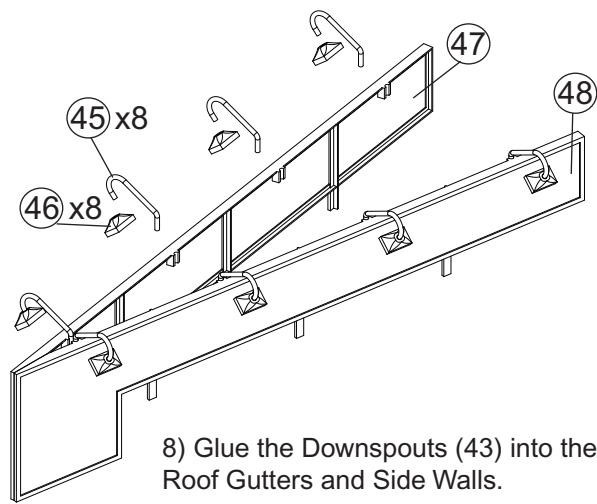
2) Glue the Doors (22, 13 or 44) and Windows (14, 15, 16, 17) to the openings in the back of the appropriate walls (2, 3, 4, 5, or 21). Note #1: We selected Wall #21 to create a "Service Department" with this kit. Wall #5 can be used, but the Service Department and Decal will now appear on the Side Wall (3). Note #2: You can also customize Front Wall #2 - either install all Windows (16 and 17 - in any order), or one Overhead Door (44) and two Windows (16 or 17) in the openings.

3) Glue the Walls ( 2, 3, 4, 5 or 21) together using the base as a guide. NOTE: Do not glue the Base until decaling is finished.

4) Glue Brick Inserts (20) into Windows (16) on the Front Wall (2). Glue the Front Wall Back (6) in place. Then glue the four Wall Corners (7). Next, glue Wall Caps (8, 9, 10, 11, 12) on as shown.

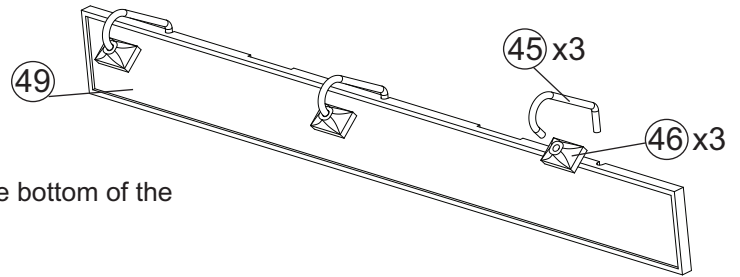
5) Glue the Roof (23) into place.





6) Assemble the Roof Sign halves (47, 48) as shown. Place the top of the Sign on a flat surface as the glue dries to ensure the assembly is level.

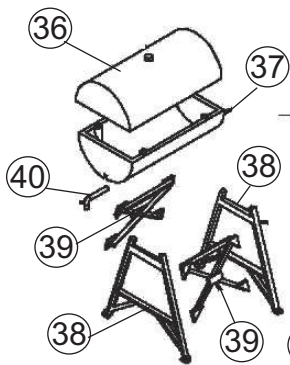
7) Glue Light Conduits (45) into each recess on the backside of parts 47 and 48, and 49. Make sure they are straight and level. When dry, add Sign Lamps (46) to the tip of each Conduit as shown.



8) Glue the Downspouts (43) into the holes at the bottom of the Roof Gutters and Side Walls.

9) Add the Electric Box (42) and Electric Feed (41) where desired on the Back Wall.

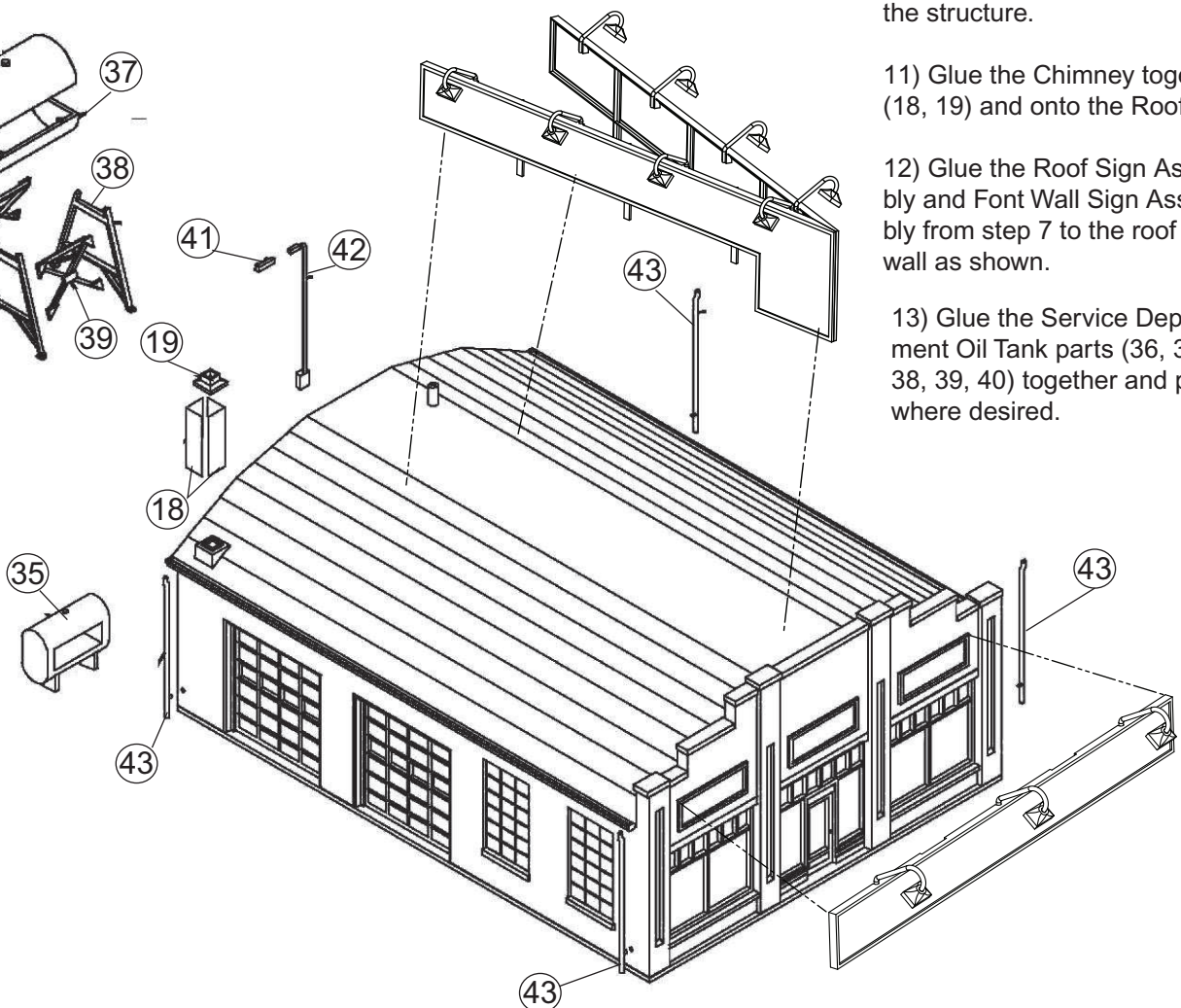
10) Place the Heating Oil Tank (35) along any wall you chose. The opening on the back faces the structure.



11) Glue the Chimney together (18, 19) and onto the Roof (23).

12) Glue the Roof Sign Assembly and Font Wall Sign Assembly from step 7 to the roof and wall as shown.

13) Glue the Service Department Oil Tank parts (36, 37, 38, 39, 40) together and place where desired.



## DECALING

1. The decals printed backward are the only two that must be placed on the inside of Glass parts (#24) to appear correct. Careful positioning will hide the edges of the decals behind the window frames.
2. The "Honk To Open" decal is individual letters. They fit the recessed squares cast into Door (13) or start with the panels that are directly under the window and work down.
3. The "456" decal is the business address. This decal fits the space above the Entrance Door (17).

## DECAL APPLICATION

1. Trim out the decal and place in a cup of warm water for 15 seconds. Remove and let stand for 1 minute, or until the decal moves freely. Slide the decal onto the model surface and gently blot off any remaining water.
2. Lightly Brush Micro Sol® on top. This softens the decal and makes it conform to irregular surfaces. DO NOT TOUCH the decal while wet.
3. When thoroughly dry, check for trapped air bubbles. Prick them with the point of a pin or hobby knife and apply more Micro Sol®.