



HO Structure Kit

PIGGYBACK RAMPS

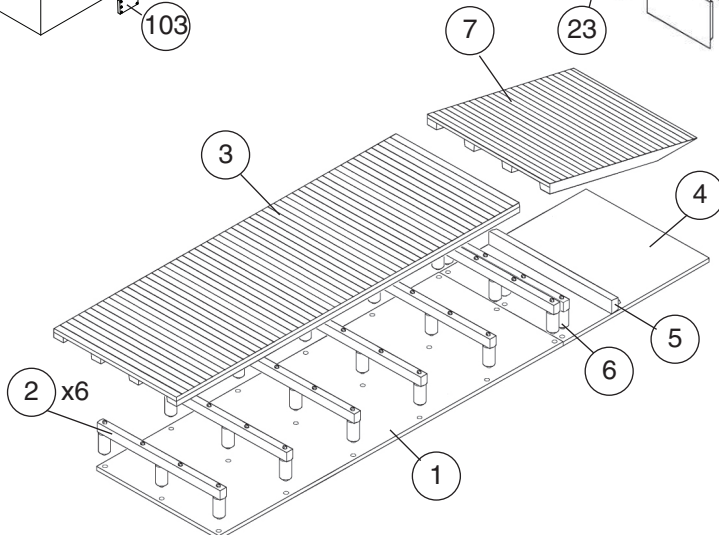
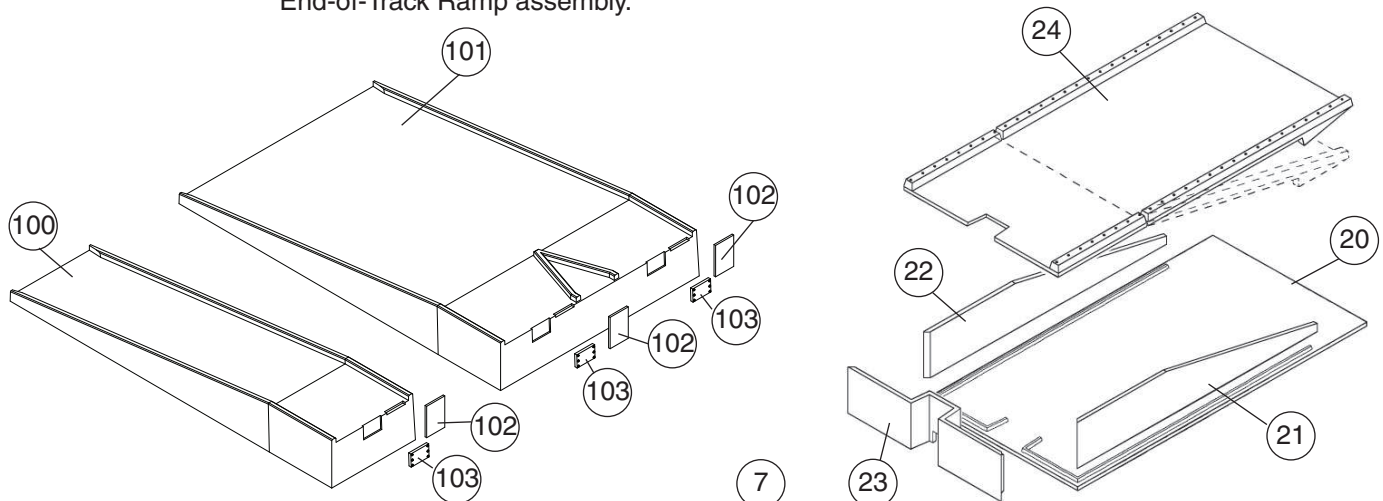
933-4048

Thanks for purchasing this Cornerstone kit. All parts are styrene plastic, so use compatible glue and paint to finish your model. Please take a few minutes to read these instructions and study the drawings before starting. If you wish to paint your model, you may find it easier to do so before starting construction.

Since the beginning, railroads have served many smaller customers too far from the tracks to warrant a siding of their own with a siding near the station or freight house accessible from a street. Early on, teamsters would wait for inbound trains, saving the added costs and work of picking up shipments at the depot or freight house and the siding came to be known as the "team track." In the 1920s, experiments in moving truck trailers on flatcars showed signs of success, but it wasn't until the mid-1950s that Trailer-On-Flatcar (TOFC) or "piggyback" service began catching on. Many team tracks were soon rebuilt with ramps where trailers be driven on or off flatcars converted for this special service. Somewhat similar to methods once used to load circus wagons, these came to be known as "circus-style ramps" and were built in multi-lane styles for larger city operations, and single-lane versions for small towns. As a result, the piggyback ramp was often just one part of a larger operation providing special handling for all types of cargo. Many of these multi-purpose facilities included trackside and end-of-track ramps so that machinery and automobiles could be driven on or off cars, and overhead gantry cranes for larger and heavy loads. All of this work generated its own forms and waybills, so that a dedicated office was provided nearby. As piggyback technology evolved into the early 1960s, newer and faster methods to get bigger trailers on and off the longer flatcars coming into general use were developed, and the circus-style ramps were slowly removed and replaced by dedicated trailer-loading operations. See your local hobby dealer, check out the current Walthers Model Railroad Reference Book or visit us online at walthers.com for additional figures, scenery materials, vehicles and other details to complete your new model.

CONCRETE RAMP ASSEMBLY

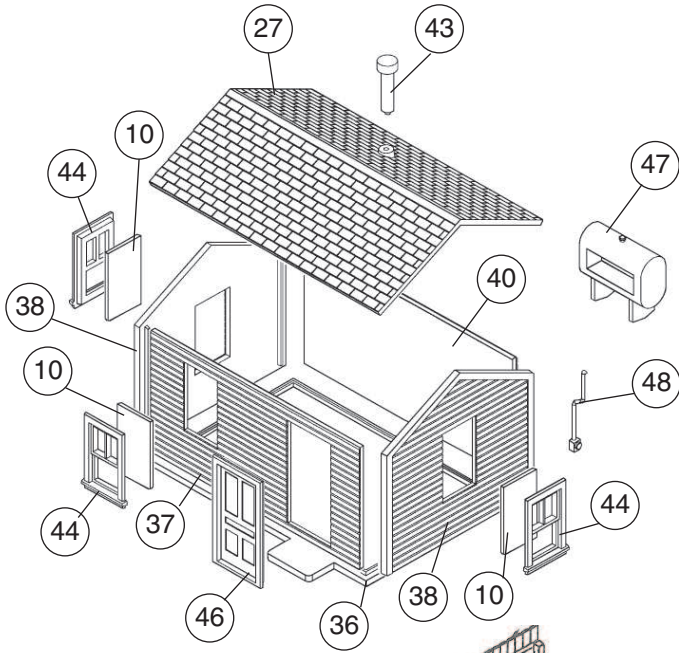
- 1) Glue Bridge Plates (3x 102) and Buffers (3x 103) tonotches on Trailer Ramps (100 & 101). Bridge Plates are in the upright position when trailers are not present.
- 2) Glue End-of-Track Ramp Sides (21, 22) and Front (23) to Base (20).
3. Note the groove on the underside and gently bend Deck (24) downward. Glue to End-of-Track Ramp assembly.



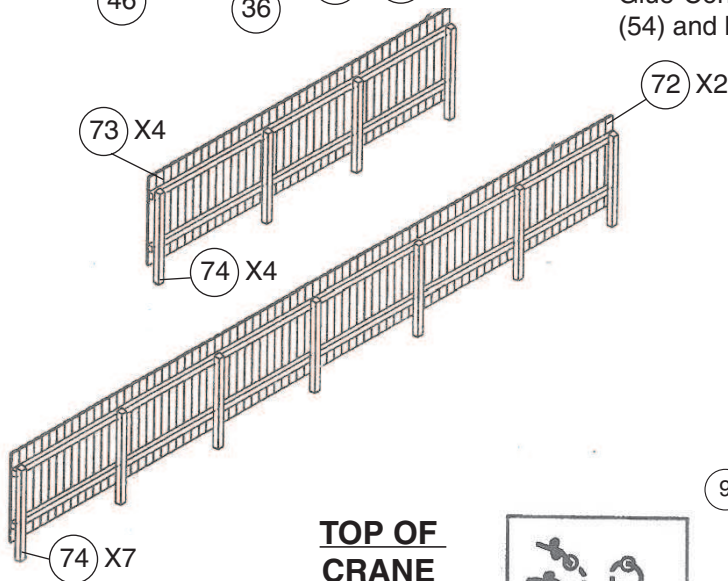
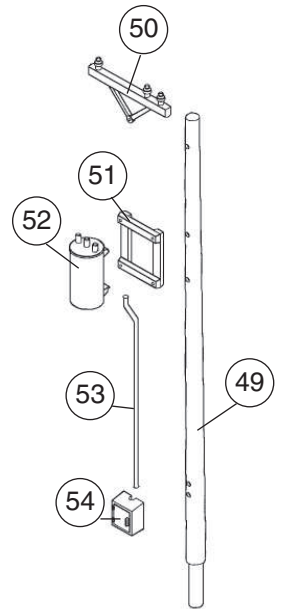
WOOD RAMP

- 1) Glue Tall Platform Supports (6x 2) to Large Base (1).
- 2) Glue Short Platform Support (5) to Small Base (4).
- 3) Glue Double Support (6) to ends of Large and Small Bases (4).
- 4) Glue Ramps (3, 7) to top of Supports.

OFFICE AND POWER POLE



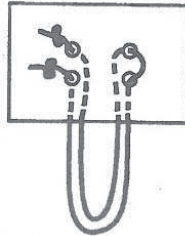
- 1) Note tapered edge on Window Glass goes against the back of Windows. Glue Glass (3x 10) to back of Windows (3x 44).
- 2) Glue Windows (3x 44) and Door (46) to Walls (37, 38).
- 3) Using raised ridges on Base (36) as a guide, glue Walls (37, 2x 38, 40) to base and to each other at inside corners.
- 4) Roof (27) may be set in place or glued down.
5. Glue Smoke Stack (43) to Roof. Glue Electric Meter (48) to left or right side wall. Oil Tank (47) can be installed on Rear Wall or other location as desired.
- 6) Glue Cross Arm (50), Transformer Bracket (51) and Electric Box (54) to Pole (49).
- 7) Glue Transformer (52) to Bracket (51). Glue Conduit (53) to top of Electric Box (54) and bottom of Transformer (52).



FENCE

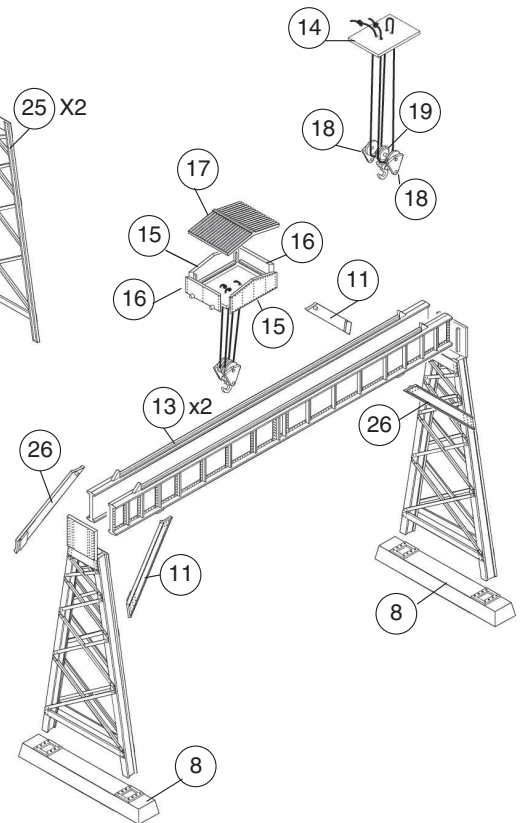
- 1) Using the raised ribs as a guide, glue Fence Posts (74) to backs of Fences (72, 73); glue posts on both ends of the fences, spaced equally. For corners use a single post.

TOP OF CRANE FLOOR



CRANE

- 1) Glue Crane Supports (2x 9, 2x 25) together and to Bases (2x 8).
- 2) Glue Crane Way Beams (2x 13) to raised ridges on back of Support assemblies.
- 3) Glue Beam Supports (2x 11, 2x 26) to assembly as shown.
- 4) Thread is provided for Crane Rigging, please refer to the rigging sketch. Begin by tying a small knot at one end. Thread the other end from the top through the bottom left hole of the Crane Floor (14) and pull tight. Loop the thread through the bottom right and top right holes. Run the thread back up through the top left hole and tie a knot in the end. Pull both loops taut so they're the same length. Place Hook (19) between loops and glue Hook Sides (2x 18) to Hook.
- 5) Using raised ridges as a guide, glue Crane Housing Walls (2x 15, 2x 16) to Crane Floor (14). Glue Housing Roof (17) to Housing Walls. Completed Crane can be set on raised rails on Crane Ways or glued in place.



DECALING

1. After cutting out the decal, dip in water for 10 seconds, remove and let stand for 1 minute. Slide decal onto surface, position and then blot off any excess water.
2. Lightly brush Micro Sol® on top. This will soften the decal allowing it to conform to irregular surfaces. DO NOT TOUCH DECAL while wet!
3. When the decal is thoroughly dry, check for any trapped air bubbles. Prick them with the point of a small pin or hobby knife blade and apply more Micro Sol®.