

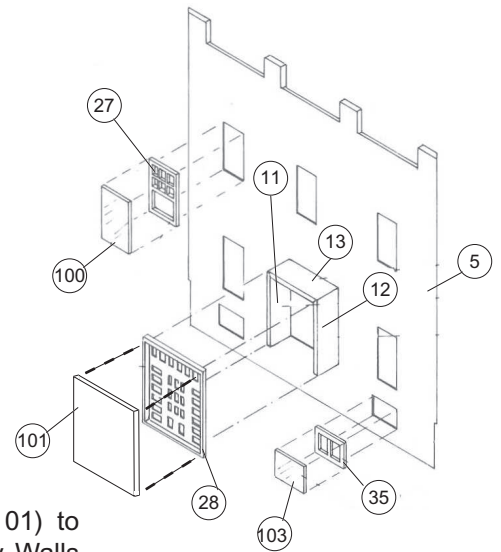
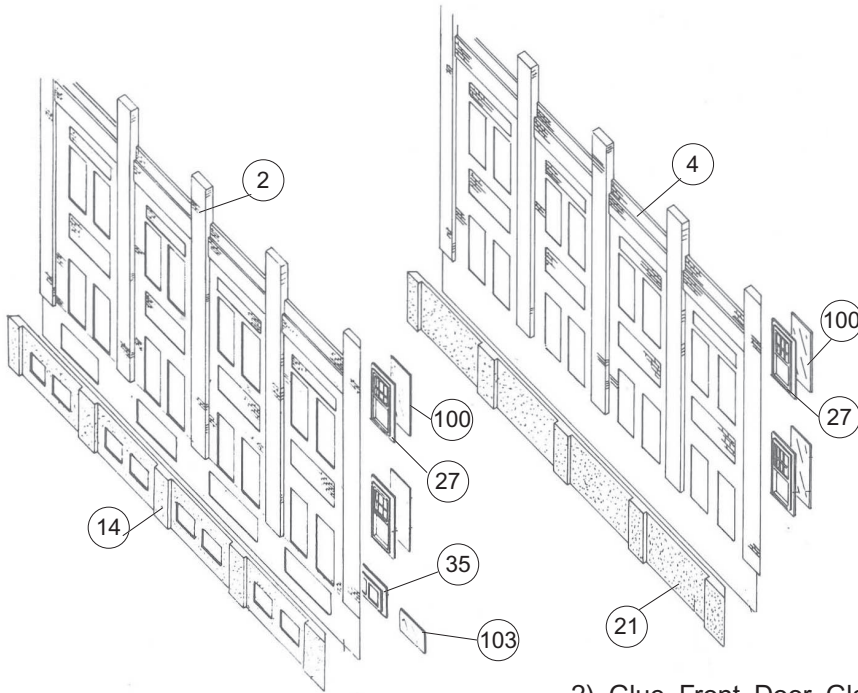


HO Structure Kit SMALL BRICK OFFICE BUILDING 933-4050

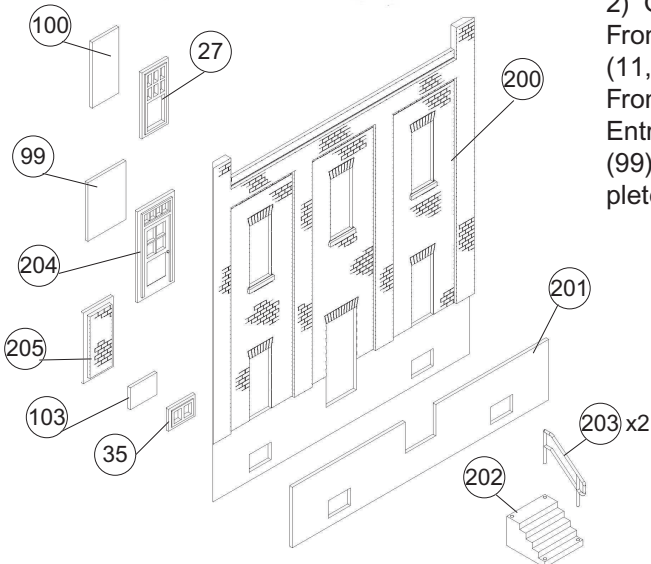
Thanks for purchasing this Cornerstone kit. Please read the instructions and study the drawings before starting. All parts are made of styrene plastic, so use compatible glue and paint to finish your model.

Many big businesses started out small, working out of a barn, shed or other outbuilding. Early on, space for a desk and ledgers was about all that was needed to keep up with the office work, but as more floor space was required for manufacturing, successful companies began building separate office buildings. For smaller firms, all of their support staff would be housed in a single building, but at larger operations, a single office might house just one or two departments. Ideally, offices were placed along a public street. This provided easy access for salespeople and others without exposing them to any potential dangers inside the complex. In a location where it was easily seen, the office building also became the symbol of the company to the general public, projecting strength and confidence. While many have since been replaced, others have been repurposed for light industrial work, refurbished as apartments, or modernized and rented out once more as small office spaces for a variety of businesses. With appropriate details and signs, your new model is right at home from the 1920s to the present. For additional ideas to detail your model see your local hobby shop, check out the latest Walthers HO Reference Book, or visit us online at walthers.com.

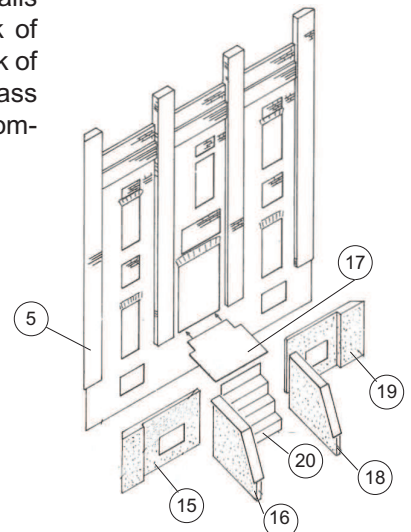
1) Begin by Gluing Window Glass (100) to Window Frames (27). Glue completed Windows to Walls (2, 4, 5, 200) as shown — install the two Brick Insert (205) in any window opening. Glue Basement Window Glass (103) to Basement Windows (35). Glue completed Basement Windows to Walls (2, 5, 200) as shown.



2) Glue Front Door Glass (101) to Front Door (204). Glue Entry Walls (11, 12) and Ceiling (13) to back of Front Wall. Glue Front Door to back of Entry Walls. Glue Rear Door Glass (99) to Rear Door (204). Glue Completed Rear Door to Rear Wall.



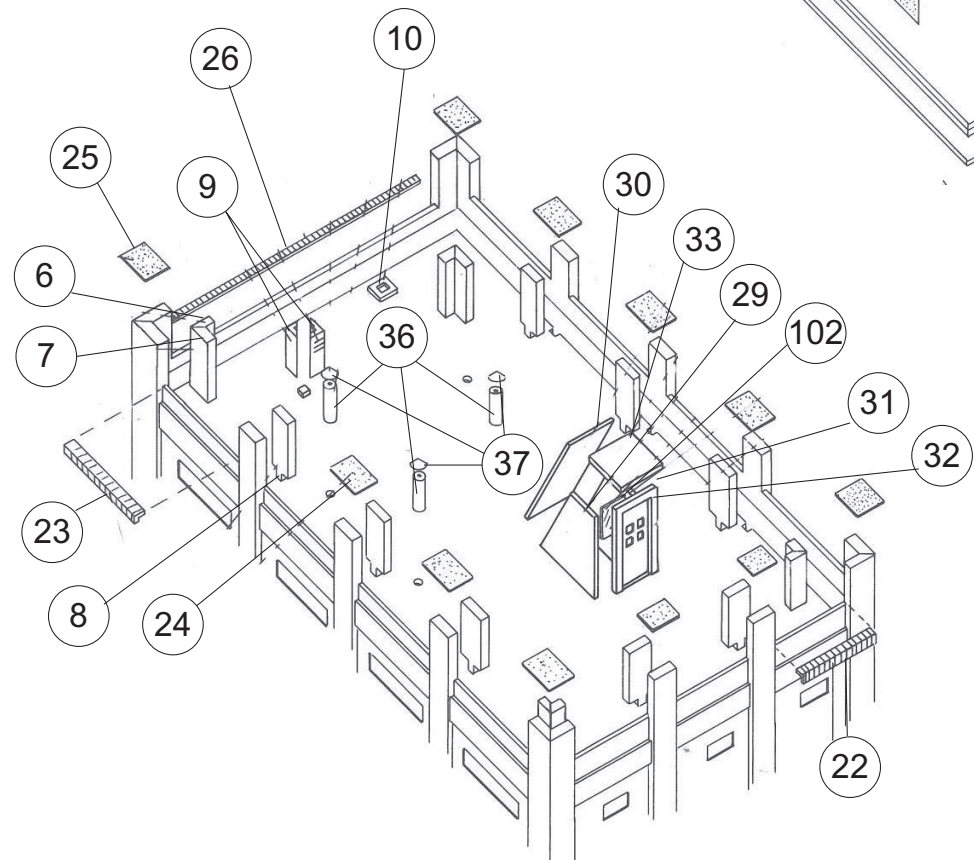
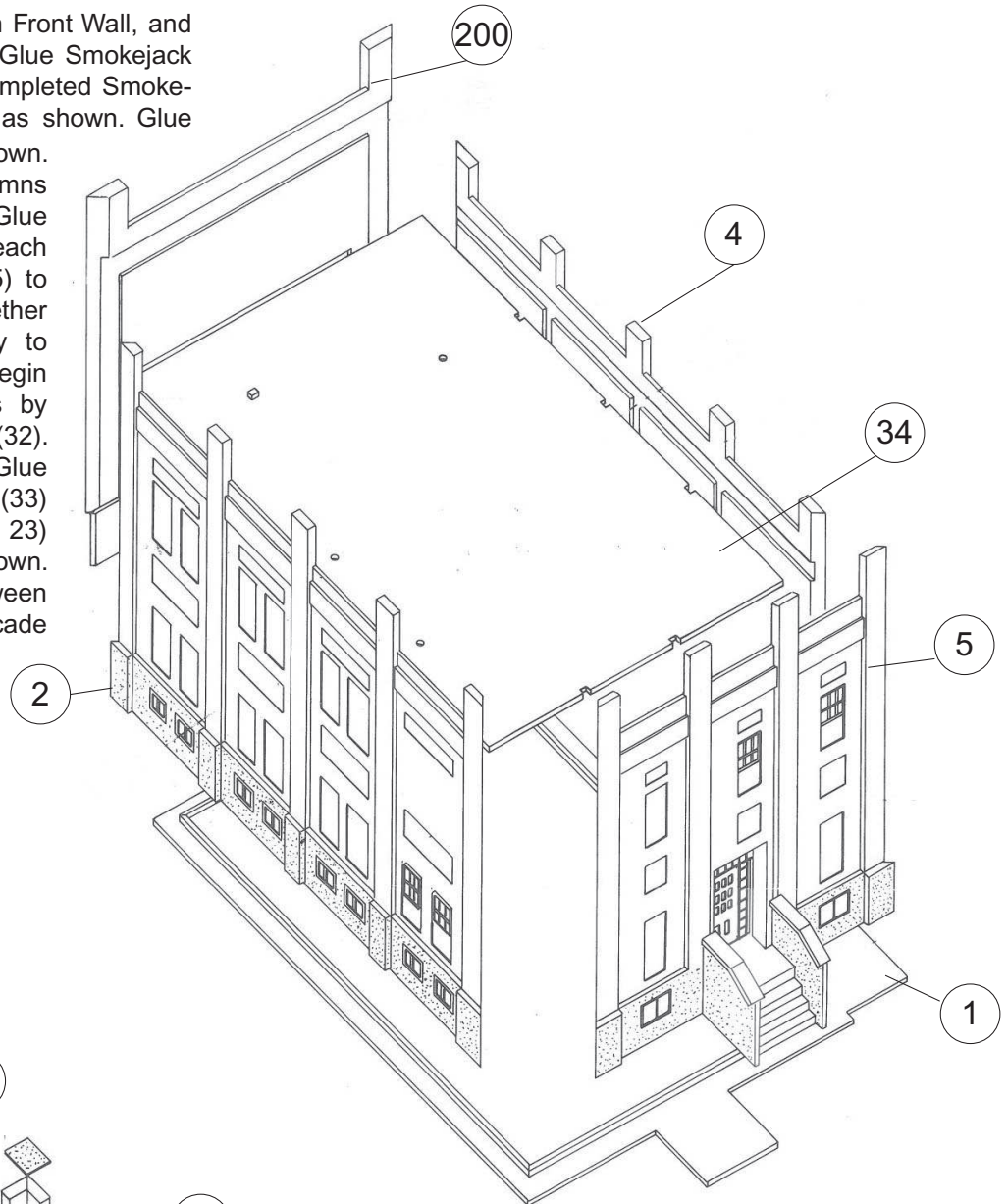
3) Glue Basement Walls (14, 21) to Side Walls (2, 4), making sure columns and basement window openings align. Glue Rear Basement Wall (201) to Rear Wall (200). Glue Rear Stairs to Rear Wall. Glue Handrails (2x 203) to openings in Stairs.



4) Glue Front Basement Walls (15, 19) to Front Wall as shown, making sure columns align. Glue Stairs (20) to Front Stoop (17). Note how Stoop (17) fits inside the front doorway, and glue in place. Glue Stair Supports (16, 18) on either side of Stairs.

5) If you wish to add lighting or interior details (sold separately) use the raised ridges on Base (1) as a guide, and glue Walls to each other at inside corners only. Walls can be glued to Base if desired.

6) Align notches on Roof (34) with Front Wall, and glue to completed wall assembly. Glue Smokejack Caps (36) to Stacks (37). Glue completed Smokejacks to small openings in Roof as shown. Glue Column Corners (4x 6 and 7) as shown. Glue Roof Columns (9 x 8) to columns on Walls (2, 4, 5) as shown. Glue Column Caps (8x 24) to top of each column and Column Caps (4x 25) to corners. Glue Chimney (2x 9) together and to Cap (10). Glue Chimney to square mounting peg on Roof. Begin construction of the Roof Access by gluing Door Glass (102) to Door (32). Glue Door to Side Walls (29, 31). Glue Rear Wall (30) in place. Glue Roof (33) in place. Glue Facade Trim (8x 23) between side wall columns as shown. Glue front Facade Trim (3x 22) between front wall columns. Glue Rear Facade Trim (26) to Rear Wall.



DECALING

1. After cutting out the decal, dip in water for 10 seconds, remove and let stand for 1 minute. Slide decal onto surface, position and then blot off any excess water.
2. Lightly brush Micro Sol® on top. This will soften the decal allowing it to conform to irregular surfaces. DO NOT TOUCH DECAL while wet!
3. When the decal is thoroughly dry, check for any trapped air bubbles. Prick them with the point of a small pin or hobby knife blade and apply more Micro Sol®.