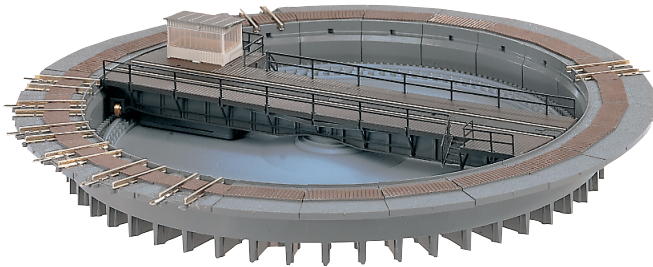
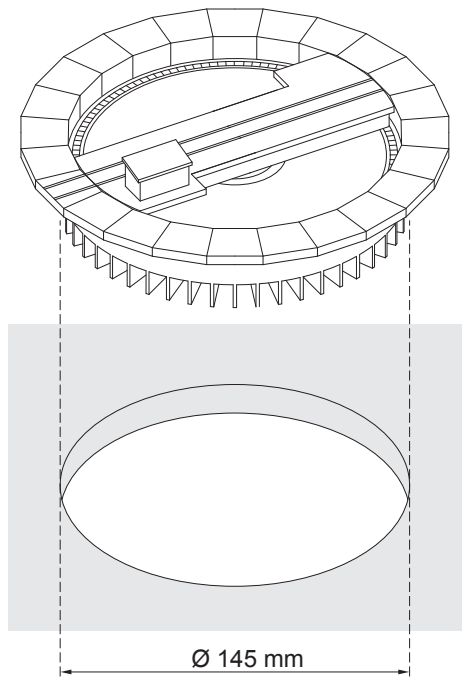


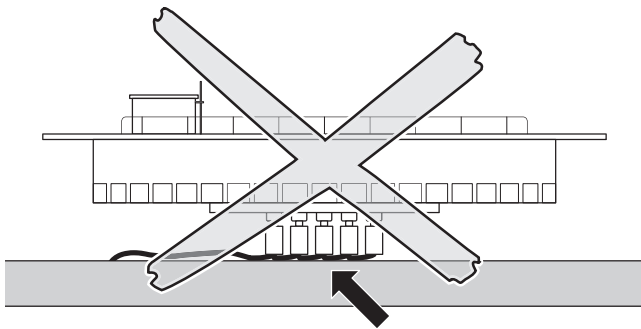
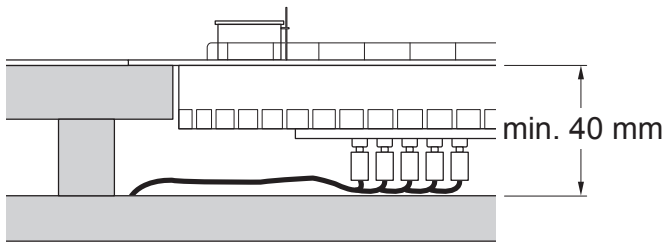
**märklin**  
Z

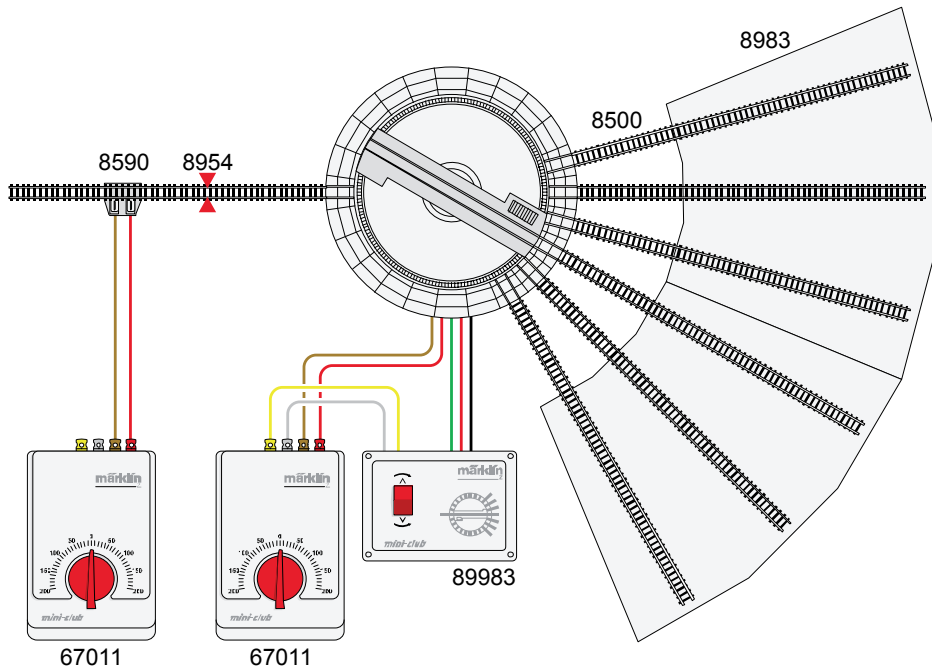


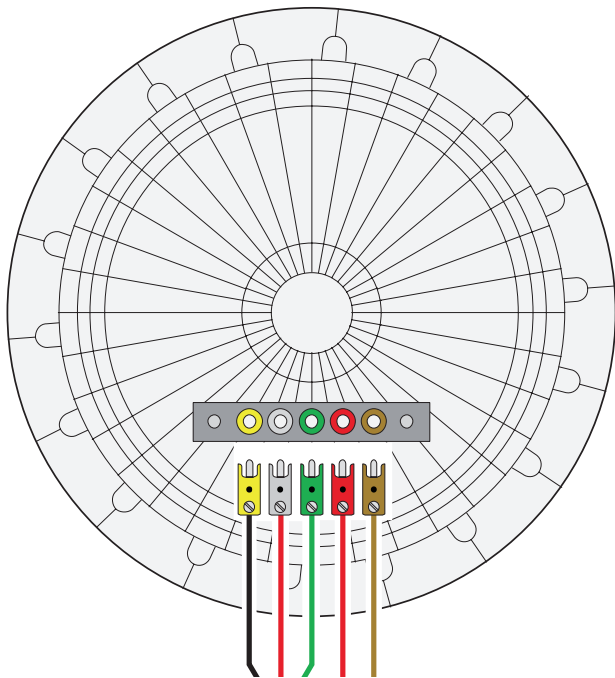
---

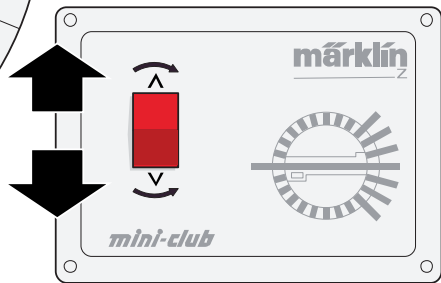
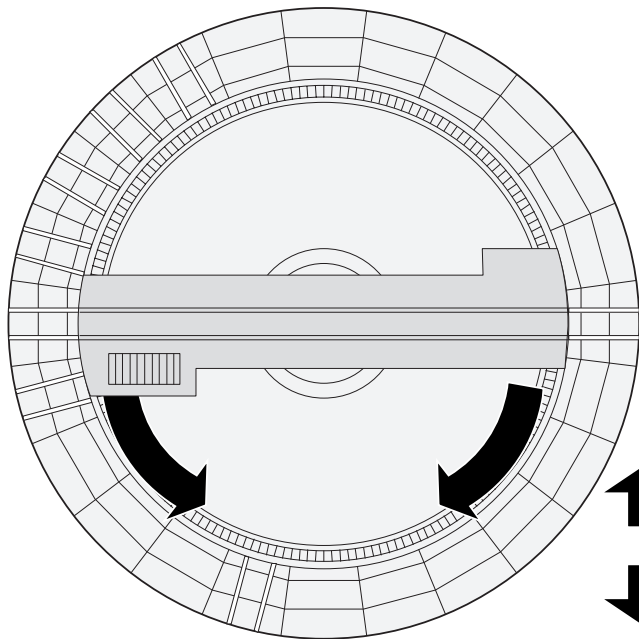
Drehscheibe  
**89983**

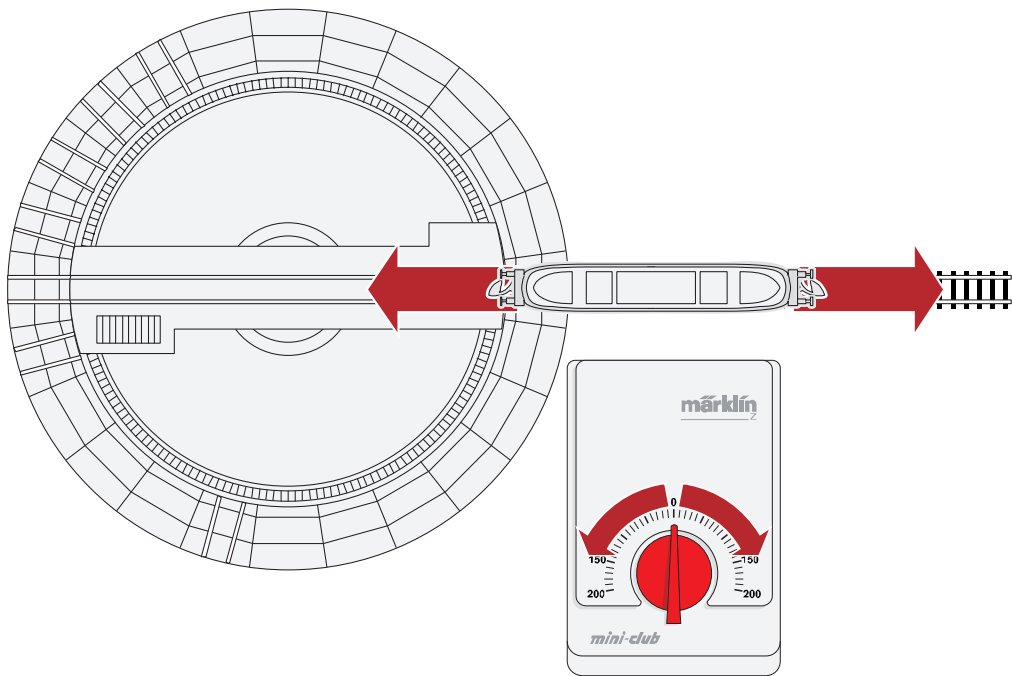


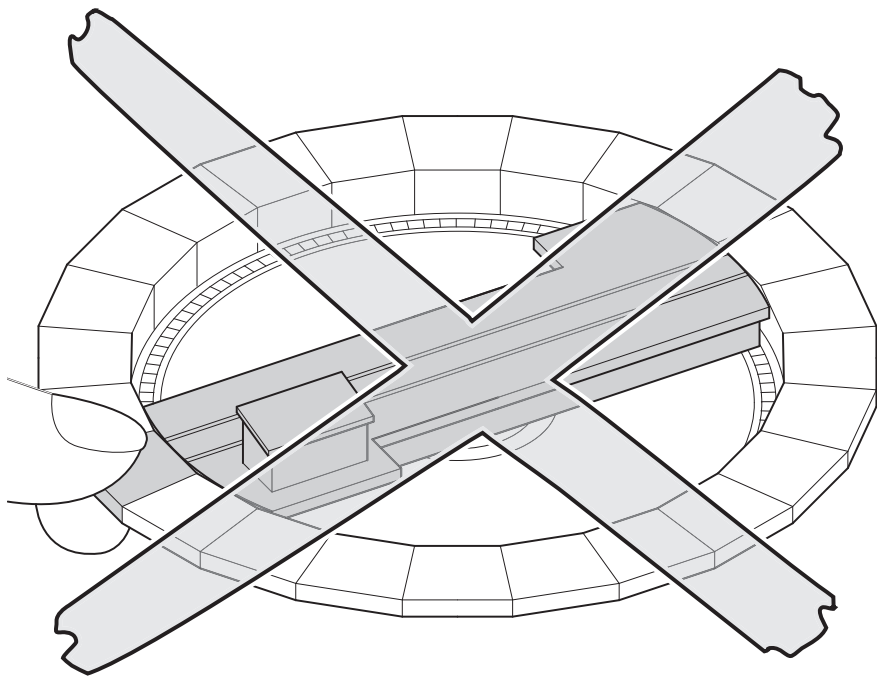




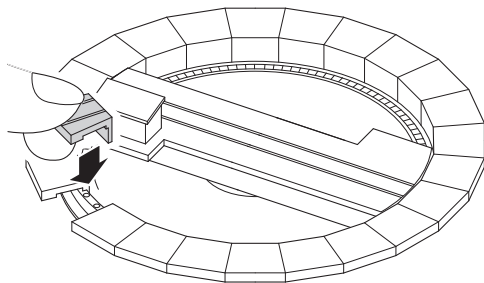
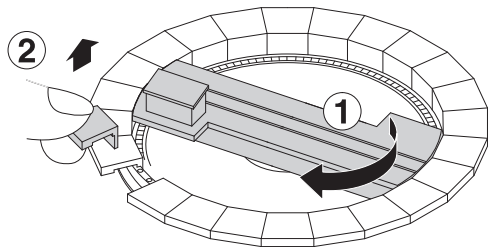




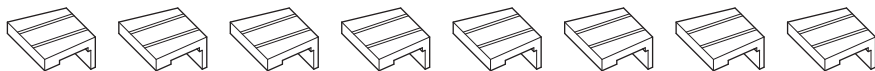


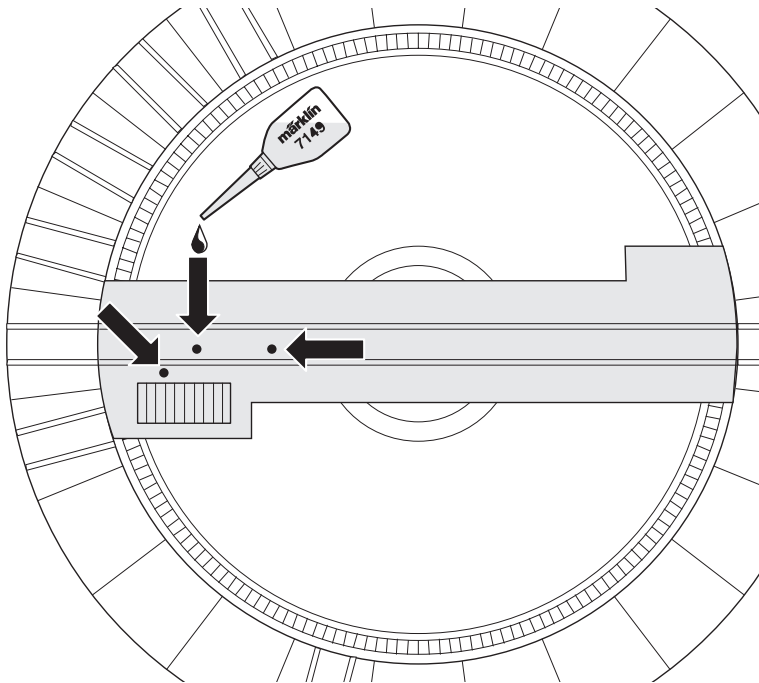


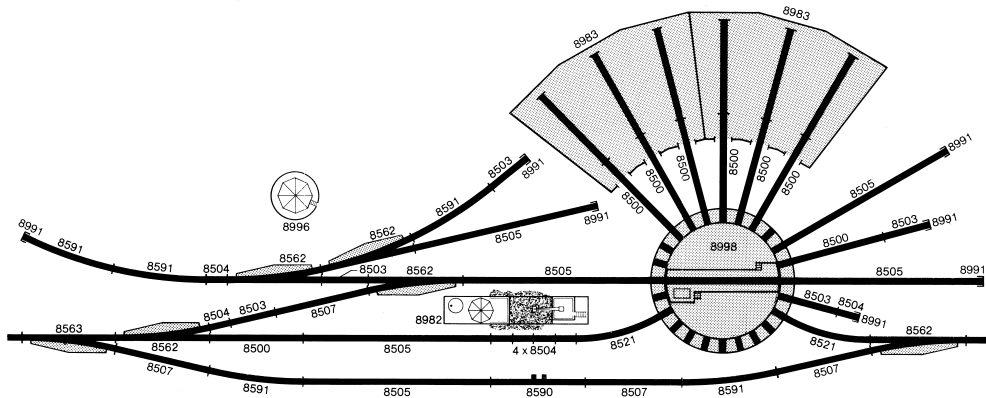




89971







Due to different legal requirements regarding electro-magnetic compatibility, this item may be used in the USA only after separate certification for FCC compliance and an adjustment if necessary.

Use in the USA without this certification is not permitted and absolves us of any liability. If you should want such certification to be done, please contact us – also due to the additional costs incurred for this.



Gebr. Märklin & Cie. GmbH  
Stuttgarter Str. 55 - 57  
73033 Göppingen  
Germany  
[www.maerklin.com](http://www.maerklin.com)

  
[www.maerklin.com/en/imprint.html](http://www.maerklin.com/en/imprint.html)

287166/0517/Sm1Ef  
Änderungen vorbehalten  
© Gebr. Märklin & Cie. GmbH